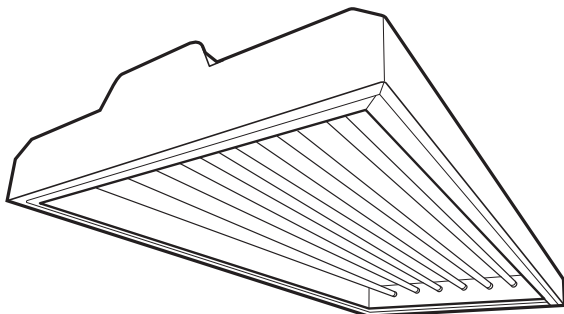


Catalog Number	
Notes	Type



Cold Storage Enclosed Fluorescent High Bay

Specifications

Reflectors - Precision formed, high performance, 95% total reflectance, segmented optics utilizing premium specular aluminum warranted for 25 years. White reflectors have 93% total reflectance and are finished with an in-house polyester powder coating system. Reflector optics are available in a wide variety of photometric distributions and spacing criteria.

Construction - Channel, ends and socket brackets are manufactured from 22-gauge cold rolled steel. Riveted and screwed assembly. Tool-less ballast and wiring access. Double-gasketed door with lens is standard.

- Optional all aluminum construction, specify AL.

Lamp Shielding - Lamp shielding options are provided with a 22ga., premium polyester powder coat finish door frame with two painted hinges and two painted opposing rotary cam latches. Lenses are held in place with lens clips. Fixture is provided with double gasketing around door frame and lens.

Finish - Premium polyester powder coat finish, utilizing a 7-stage pretreatment process of iron phosphate, a non-chromium sealer and a de-ionized water rinse to provide superior adhesion and corrosion resistance.

Ballasts - All standard ballasts are electronic, energy saving, thermally protected, Class-P, HPF, non-PCB, Sound Rated A, UL/CSA certified where applicable and comply with © Federal Ballast Law (Public Law 100-357, 1988). Default ballast configuration is for two-lamp ballasts.

Electrical - UL listed wire, rated for required temperatures, used throughout. Lamps are secured with rotary locking lamp sockets for ease of relamping and to reduce lamps disconnecting due to vibration or incidental contact. Luminaire is bi-national listed (UL 1598 and CSA C22.2 No. 250.0-00) and is suitable for damp locations.

Mounting - The luminaire may be suspended by chain, monopoint or cable.

- Accessories are available.

Lamps - Factory installed lamps are available in various CRI ratings, temperature colors and rated life.

Warranty - Standard 1-year warranty for the fixture. Ballasts carry manufacturer warranties of 3-5 years, depending on the application.

Fixture Series	
FFB24	2' x 4'
Lamp Configuration	
6	6-lamp profile
8	8-lamp profile
Lamp Type/Wattage	
54T5HO	F54T5HO
32	F32T8
Photometric Distribution	
N1	Normal Beam
T1	Task Beam
S1	Spread Beam
Reflector	
X20	Specular Aluminum
D20*	White Powder Coat
Lamp Shielding	
A12125	Prismatic, 0.125"
ACL	Clear Acrylic, 0.125"
PCL125	Clear Polycarbonate, 0.125"
Voltage	
MVOLT	120 - 277V, 60 Hz
HVOLT	347 - 480V, 60 Hz
Ballast Configuration	
(blank)	(2) 2-lamp ballast
2/3	(2) 3-lamp ballast
1/41/2	(1) 4-lamp & (1) 2-lamp ballast
2/4	(2) 4-lamp ballast
Ballast Type	
GEB10PS90	1.0 B.F., ≤10% THD, PRS
GEB10IS**	Normal B.F., ≤10% THD, IS
GEB10ISH**	High B.F., ≤10% THD, IS
Lamps	
(blank)	No Lamps
LP841	std life, 4100°K, 85 CRI
Options	
AL	Aluminum Construction

* Available only with a Normal Distribution
 ** Available only with a T8 lamps

Applications

The FFB series luminaire is the perfect replacement for HID high bay luminaires. The luminaire is designed for cold storage areas to -20°F (-29°C). Mounting heights from 15' to 40'.

Lamp temperature ratings are as follows. (Testing was completed with fixture in a still-air environment. Constant cool air movement of the fixture could cause lumen output to decrease.)

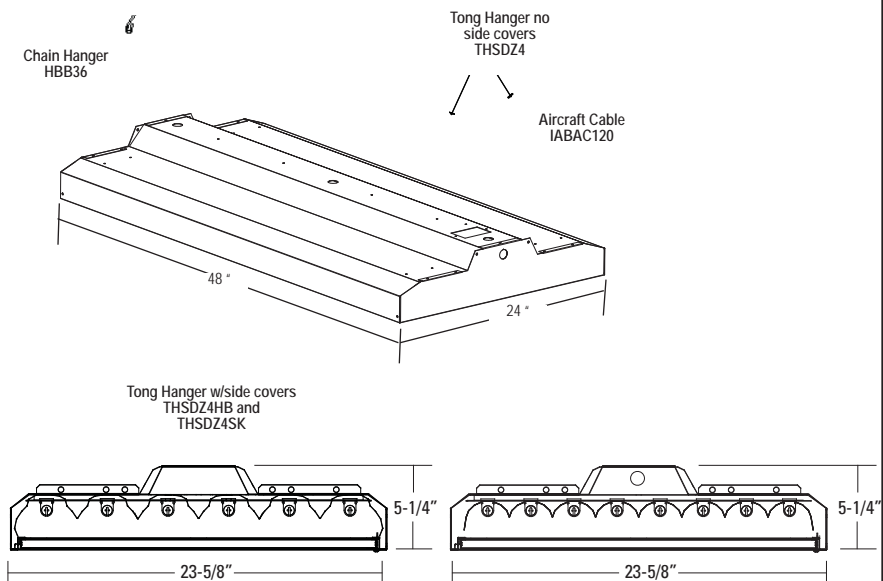
8-lamp T5 and T8: Rated to -20°F (-29°C)
6-lamp T5 and T8: Rated to 0°F (-18°C)

Features

High fixture efficiency and optical control deliver the peak candlepower needed to produce desired illumination levels from high mounting heights.

- Instant on/off control
- Improved horizontal and vertical illumination
- 85 CRI (fluorescent) v. 65 CRI (metal halide)
- 95%+ Lumen Maintenance (fluorescent) v. 50% Lumen Maintenance (metal halide)
- Long life - up to 20,000 hours
- 80+ maintained Lumens per watt
- Energy savings of 25% or more vs. HID fixtures

Dimensions



Additional Options (installed on fixture)

- Battery Pack
- Motion Sensor
- Cord Sets
- Fusing

Accessories (order separately)

- Aircraft Cable, 2 hooks, 18" legs, 10' (2 hangers/kit)
 - Chain Hanger, 36"
 - Monopoint Hanger, w/3/4" KO
 - Monopoint Hanger, w/3/4" hub
 - Side covers for Monopoint Hangers
 - Safety Chain, 36"
- IBAC120
HBBS36
THSDZ3
THSDZ3HB
THSDZ3SK
SCKFV

Photometrics

SC Across Definitions:

- Focus (SC < 0.9), i.e. F1
- Task (0.9 ≤ SC < 1.2), i.e. T1
- Normal (1.2 ≤ SC ≤ 1.4), i.e. N1
- Spread (1.4 < SC ≤ 1.8), i.e. S1
- Broad (1.8 < SC), i.e. B1

Consult Factory for Photometrics