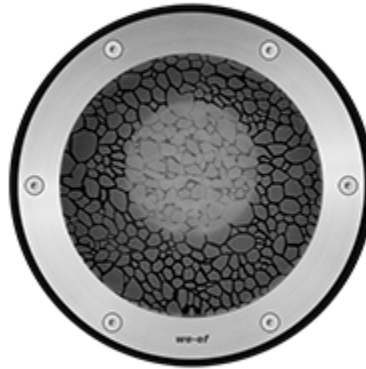


ETC130-GB LED ASC

611-3135

1/4

we-ef



Description

IP67. Inground LED uplight. Suitable for flush installation in concrete or earth. Drive Over rated. Offset gimbal mounted lamp module, with lockable aiming, 30° vertical tilt, and 360° horizontal rotation. Special effects can be realized with linear lens, flood lens, or color filters. ASC Anti Slip Coating.

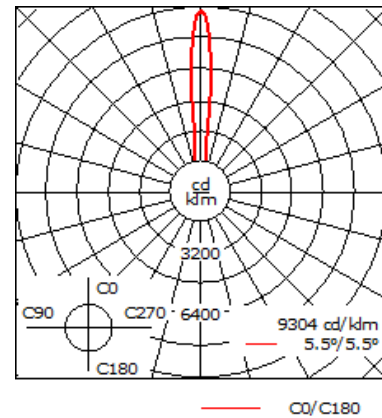
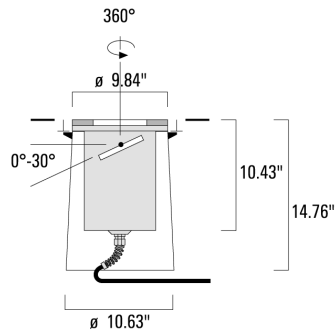
| | |
|-----------------------------------|--|
| Beam Type | symmetric, very narrow beam, 'sharp cut-off' [VNS] |
| Light Source | LED-12/18W / 500 mA - 4000 K |
| CRI | 80 |
| Gear Type | electronic gear |
| Nominal Luminous Flux (lm) | |
| LED Lumens | 184.8 lm |
| LEDs | 12 |
| Total Lumens | 2217 lm |
| Tj | 85 °C |
| Delivered Lumens Flux (lm) | |
| LED Lumens | 141.4 lm |
| Total Lumens | 1697 lm |
| Ta | 25 °C |
| Rated Input Power | 21 W |

ETC130-GB LED ASC

611-3135

2/4

we-ef



Material Specification

| | |
|-----------------------|--|
| Body: | Luminaire body constructed of deep drawn stainless steel. Outer housing composite material. |
| Weight (lbs): | 18.20 |
| Lens: | 5/8 in thick Antislip Coating ASC tempered glass lens (Slip Resistance Class R10), max load 5 Tonnes |
| Colours: | ■ Stainless Steel |
| Gasket: | Silicone rubber gasket |
| Fasteners: | PCS polymer coated stainless steel |
| Ingress protection: | IP67 |
| Impact protection: | IK10+ |
| Corrosion protection: | 5CE |
| Mounting: | Suitable for installation in concrete or earth. Suitable for walk-over and DRIVE-OVER applications. Proper drainage and foundation support must be provided. |
| Listings: | ETL listed. Suitable for wet locations. |

Electrical Specification

| | |
|---------------|--|
| Power supply: | Integral [ECG] LED driver provides 120-277 volt range. |
| Termination: | Factory sealed termination chamber |
| Cable: | 3 feet of flexible 18/3 cable |

ETC130-GB LED ASC

611-3135

3/4

Lifetime

LED >60,000 h Ta 25°C (L70/B10) Control gear >50,000 h Ta 25°C

Dimming

0-10V available in request. Must be factory fitted.

we-ef

Optical Accessories

Flood lens

Broadens light distribution in all planes. Does not fit in combination with [W] lens.

C1

■ **611-8037** IO-360-ETC130-GB-LED

3.86



Linear spread lens

Broadens light distribution in one plane only. Does not fit in combination with [W] lens.

ETC130-GB LED ASC

611-3135

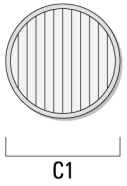
4/4



C1

611-8038 IO-180 ETC130/330-GB LED

3.94



Electrical Accessories

Sealable junction box

SJB sealable junction box, for inground mains connection. Provided with 3 UL4860 connectors

| | C1 | M1 | M2 |
|--|------|--------|---------------|
| 697-8072 Sealable junction box SJB 130 | 5.75 | Ø 0.39 | Ø 0.47 - 0.75 |

