



An Acuity Brands Company

IP66 

4630 KNUCKLE MOUNT

ACCENT LIGHT

DESCRIPTION:

The 4630 knuckle mount accent light is uniquely designed with rugged sealed die-cast aluminum construction and an offset swivel for balance. This fixture meets many demanding requirements for landscape and architectural applications and accepts PAR-30 lamps for ranges to forty feet. A wide range of photometric performances are available with internal and/or external glare control.

SPECIFICATIONS:

MATERIAL: Die-cast copper-free aluminum alloy A360. All materials are chem-filmed or anodized prior to painting.

LAMP: Incandescent: PAR-30, 75W Max.

HID: Metal Halide PAR-30, 70 W Max.

SOCKET: Pulse-rated medium base, or E27 base.

VOLTAGE: See ordering guide.

DISTRIBUTION: Beam spread by lamp type, see ordering guide.

LENS: Crowned tempered glass.

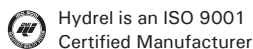
MOUNTING: 1/2" NPT or PG16 adjustable knuckle

FINISH: See ordering guide for color options.

FASTENERS: Stainless steel.

LISTING: C.E., U.L., C.U.L.

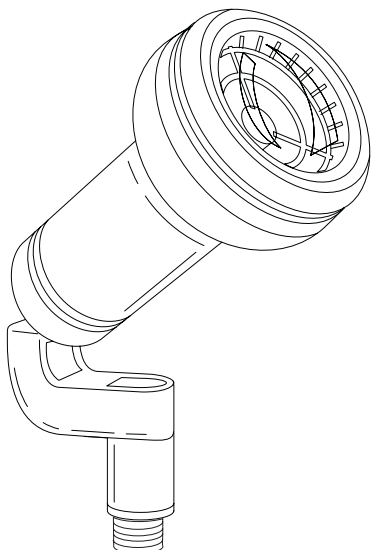
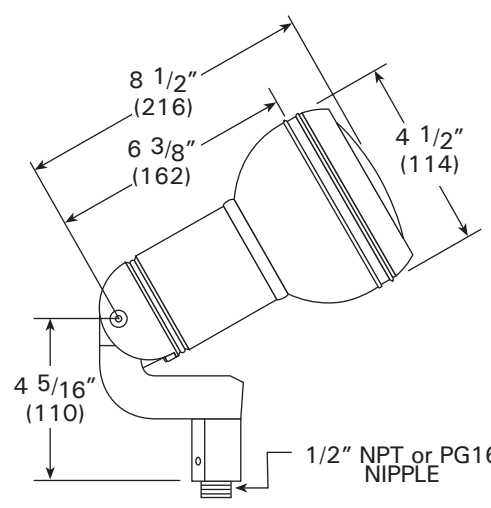
NOTE: HYDREL RESERVES THE RIGHT TO MODIFY SPECIFICATION WITHOUT NOTICE. Any dimension on this sheet is to be assumed as a reference dimension: "Used for information purposes only. It does not govern manufacturing or inspection requirements." (ANSI Y14.5-1973)



©2003 Hydrel
Rev. 10/21/04
4630 KM

TYPE		JOB NAME	
PART NUMBER			
Model	Lamp Type	Voltage	Distribution
Mounting	MountingOptions	Accessories	Lamp
Finish	Listing		

KM Knuckle Mount

APPROVALS

12881 Bradley Ave
Sylmar, CA 91342
Phone: 818-362-9465
Fax: 818-362-6548
www.hydrel.com

