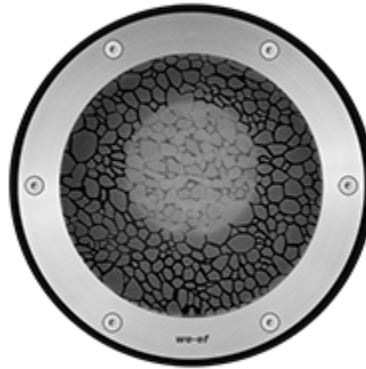


ETC130-GB LED ASC+I 0 - 180° (ETC130/300-GB LED)

611-3134+611-8038

we-ef

1/4



Description

IP67. Inground LED uplight. Suitable for flush installation in concrete or earth. Drive Over rated. Offset gimbal mounted lamp module, with lockable aiming, 30° vertical tilt, and 360° horizontal rotation. Special effects can be realized with linear lens, flood lens, or color filters. ASC Anti Slip Coating.

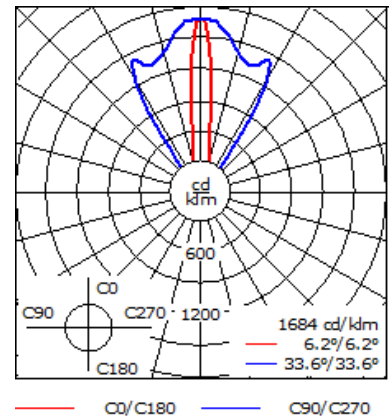
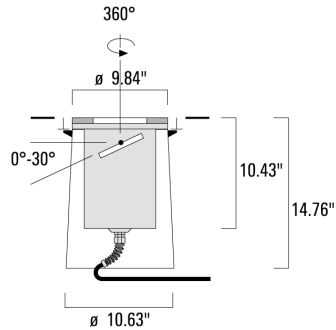
Beam Type	linear spread, very narrow beam, 'sharp cut-off'
Light Source	LED-12/18W / 500 mA - 3000 K
CRI	80
Gear Type	electronic gear
Nominal Luminous Flux (lm)	
LED Lumens	184.8 lm
LEDs	12
Total Lumens	2217 lm
Tj	85 °C
Delivered Lumens Flux (lm)	
LED Lumens	125.2 lm
Total Lumens	1502 lm
Ta	25 °C
Rated Input Power	21 W

ETC130-GB LED ASC+I 0 - 180° (ETC130/300-GB LED)

611-3134+611-8038

we-ef

2/4



Material Specification

Body:	Luminaire body constructed of deep drawn stainless steel. Outer housing composite material.
Weight (lbs):	18.20
Lens:	5/8 in thick Antislip Coating ASC tempered glass lens (Slip Resistance Class R10), max load 5 Tonnes
Colours:	Stainless Steel
Gasket:	Silicone rubber gasket
Fasteners:	PCS polymer coated stainless steel
Ingress protection:	IP67
Impact protection:	IK10+
Corrosion protection:	5CE
Mounting:	Suitable for installation in concrete or earth. Suitable for walk-over and DRIVE-OVER applications. Proper drainage and foundation support must be provided.
Listings:	ETL listed. Suitable for wet locations.

Electrical Specification

Power supply:	Integral [ECG] LED driver provides 120-277 volt range.
Termination:	Factory sealed termination chamber
Cable:	3 feet of flexible 18/3 cable

ETC130-GB LED ASC+I 0 - 180° (ETC130/300-GB LED)

we-ef

611-3134+611-8038

3/4

Lifetime

LED >60,000 h Ta 25°C (L70/B10) Control gear >50,000 h Ta 25°C

Dimming

0-10V available in request. Must be factory fitted.

Optical Accessories

Flood lens

Broadens light distribution in all planes. Does not fit in combination with [W] lens.

C1

■ 611-8037 IO-360-ETC130-GB-LED

3.86



C1

Linear spread lens

Broadens light distribution in one plane only. Does not fit in combination with [W] lens.

ETC130-GB LED ASC+I 0 - 180° (ETC130/300-GB LED)

we-ef

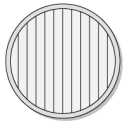
611-3134+611-8038

4/4

C1

■ **611-8038** IO-180 ETC130/330-GB LED

3.94



C1

Electrical Accessories

Sealable junction box

SJB sealable junction box, for inground mains connection. Provided with 3 UL4860 connectors

	C1	M1	M2
■ 697-8072 Sealable junction box SJB 130	5.75	Ø 0.39	Ø 0.47 - 0.75

