



LumiLedge® SR Cove Lighting System

PATENT PENDING

powerful performance smallscale elegant appearance



CLIENT: NY LIFE CAPITAL PARTNERS
ARCHITECT: THE SWITZER GROUP

PATENT PENDING



the future of cove lighting...
Lumiledge®



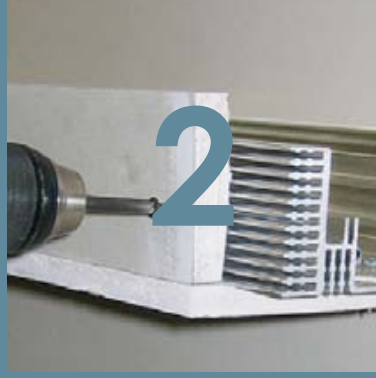
CLIENT: IBM CEMAX
ARCHITECT: THE SWITZER GROUP

The LumiLedge® prefabricated cove system was created and designed to bring indirect lighting to a whole new level. Engineered to provide architects and lighting designers with the smallest scale and yet most powerful lighting, the LumiLedge® inconspicuously blends within your design.



1. MOUNT FRAMING

fasten extrusion to vertical wall studs and attach support brackets



2. INSTALL GYPSUM

fasten bottom and vertical gypsum boards - tape and compound to finish



3. POSITION LUMINAIRE

insert the preassembled luminaire of your choice and secure all connections

This innovative and versatile cove lighting system offers full disclosure of "true" material costs. The prefabricated framing system minimizes installation costs and improves overall cove quality. Cove framing structure can be shipped ahead of lighting fixtures to help maintain construction scheduling.

LumiLedge® benefits...

EXTRUDED ALUMINUM PREFABRICATED STRUCTURAL FRAME

- significantly improves overall cove quality
- substantially reduces installation time
- eliminates the need for carpenters to build a custom cove
- cove CAD files are available to incorporate in drawings

GYPSUM BOARD FASTENS DIRECTLY TO THE ALUMINUM EXTRUDED FRAME

- creates a clean, low profile seamless cove
- the gypsum is painted in project colors and blends with the space

SUBSTANTIAL COST BENEFITS

- predictable material and installation costs help maintain budget

THE COVE IS DESIGNED WITH A ZERO DEGREE LINE OF SIGHT

- this helps to eliminate field construction issues
- simplifies light fixture integration

SMALL SCALE YET POWERFUL PERFORMANCE

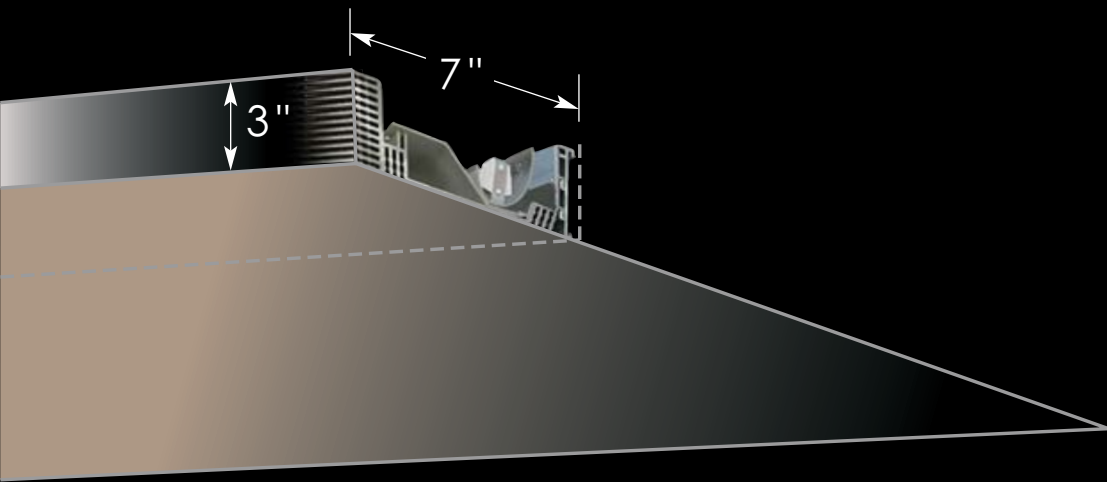
- numerous lighting fixture options to achieve desired lighting effect









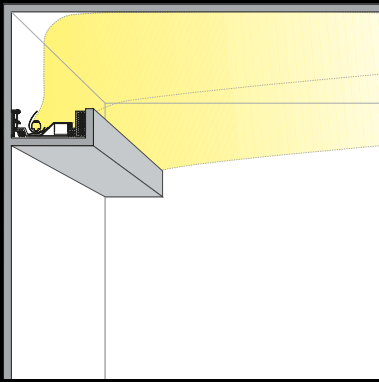


The LumiEdge® cove system was developed to produce powerful, indirect light. With a compact 3" height and 7" width, the form and function of this cove system will seamlessly blend within your space, emphasizing the architectural beauty of any room.

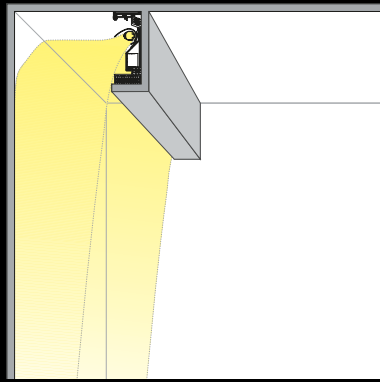
multiple applications

- floating ceiling applications
- applies to corners
- curved applications - 18' min. radius
- designed with 0° line of sight
- wall wash applications
- dimming capability
- multiple fixture options

horizontal surface illumination



vertical surface illumination

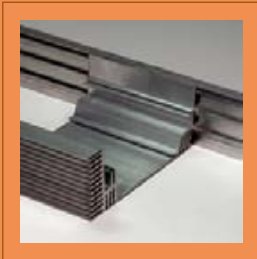




luminaire selection...

LLSR-FR7

prefabricated performance
cove system (framing)



All LumiLedge® SR Cove System configurations begin with the LLSR-FR7 cove system framing. Then, make your luminaire choice from a variety of fixture options to meet the lighting requirements of your project. All ballast are integrated within the fixture.

GT-A7

gear tray A
tandem lamp



GT-B7

gear tray B
tandem lamp with reflector



GT-P7

gear tray P
tandem lamp with extruded
asymmetric reflector



GT-PS7

gear tray PS
staggered lamp with extruded
asymmetric reflector



GT-S7

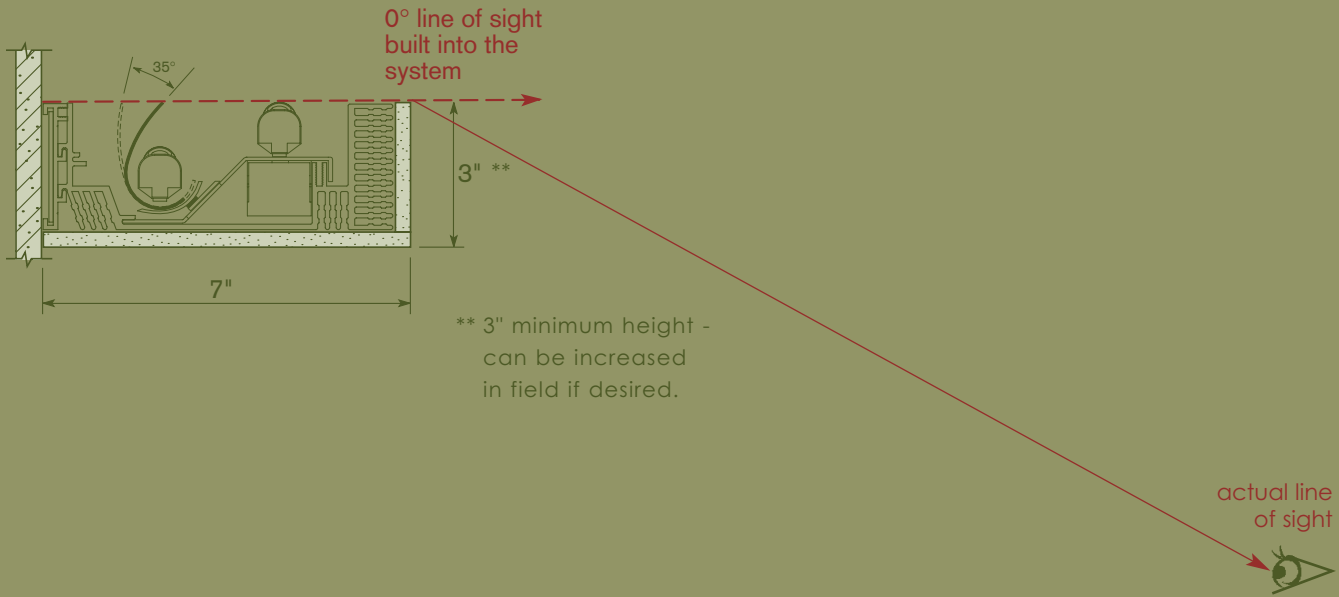
gear tray S
staggered lamp



GT-DS7

gear tray DS
one lamp diagonal
staggered lamp

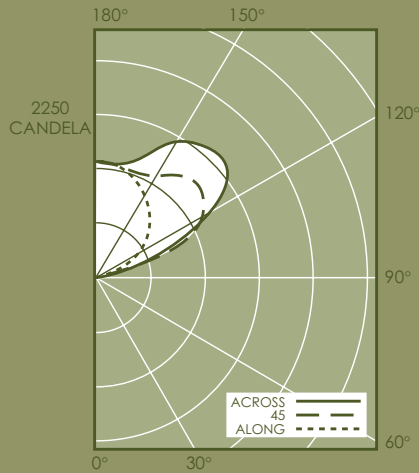




sample photometry

photometric data | catalog no. GTPS-7 54 U E 50

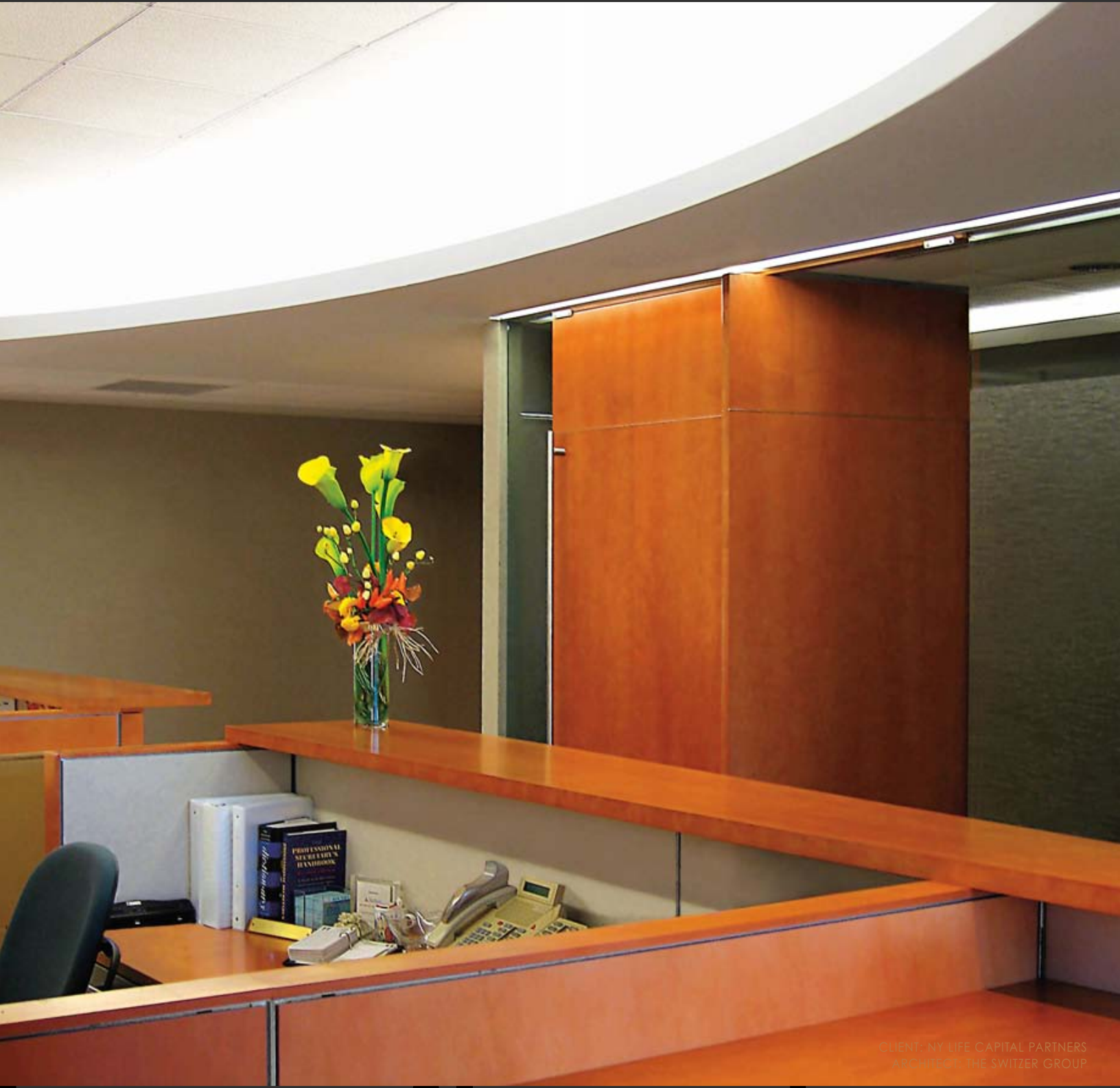
lighting sciences, inc. | report no. 21315



Zone	Lumens	% Lamp	% Fixt
180-150°	1338	14.87	20.83
180-120°	4626	51.40	72.01
180-90°	6424	71.38	100.00
120-90°	1798	19.98	27.99
Total Fixture			
0-180°	6424	71.38	100.00
Efficiency: 71.4%			

Angle	Along	67.5°	45°	22.5°	Across	Output Lumens
180°	1600	1600	1600	1600	1600	
175°	1605	1586	1590	1586	1586	77
170°	1583	1566	1581	1588	1597	
165°	1548	1536	1569	1598	1623	223
160°	1497	1497	1558	1641	1731	
155°	1434	1448	1564	1786	1957	377
150°	1358	1390	1629	1989	2157	
145°	1271	1328	1749	2132	2277	547
140°	1172	1269	1846	2220	2351	
135°	1065	1229	1888	2258	2385	685
130°	949	1217	1884	2263	2369	
125°	823	1205	1841	2194	2176	744
120°	693	1158	1755	1881	1791	
115°	559	1072	1509	1461	1335	610
110°	420	945	1105	983	867	
105°	287	754	670	556	473	313
100°	167	408	313	262	214	
95°	65	135	90	64	35	60
90°	0	0	0	0	0	

photometry files are available for download at www.electrix.com



CLIENT: NY LIFE CAPITAL PARTNERS
ARCHITECT: THE SWITZER GROUP

the future of cove lighting...
Lumiledge®



ELECTRIX INC
45 SPRING STREET
NEW HAVEN, CT 06519
203.776.5577

www.electrix.com