

# 4426 LED WET NICHE

**60W LED SWIMMING POOL  
DMX COLORCHANGING**

## DESCRIPTION

The 4426 is designed to be recessed into a stainless steel niche as a "wet niche" type fixture. These units use a Red, Green, and Blue (RGB) underwater color balanced LED array to create DMX controlled color changing lighting effects. Color control is achieved through four channels per fixture, standard DMX512 hardware, at a maximum of 44 frames per second. All channels have logarithmic power for finer color and intensity control. The fourth channel, Intensity, allows the user to vary brightness without affecting the color. The integral power and control modules are enclosed in an attached sealed combination box. The proprietary control module senses the LED temperature and adjusts the LED power accordingly to yield a lamp life of up to 50,000 hours of operation. This lamp life exceeds any other fixture designed for this use. For power and signal hook-up, the integral combination box includes a minimum of 35' of submersible rated power cable and a minimum of 35' of submersible rated DMX signal cable. Power and signal are distributed to the fixture via a double conduit system which terminates into standard conduit entrances at the back of the niche.

## FEATURES & SPECIFICATIONS

**FIXTURE HOUSING & DOOR:** Heavy wall cast bronze construction. Natural cast bronze finish. Stainless steel bezel finish is also available.

**NICHE:** Stainless steel with cast bronze mounting ring which locks the fixture into position. Niche has four ears to tie to forms or steel structural rods. Pressure grounding lugs on interior and exterior surfaces. Niche conduit entrances are 3/4" NPT.

**LED TYPE:** 60 Watt RGB LED array. (LED Board included.)

**CONTROL:** Standard DMX512. 3-channels per fixture: Red, Green, Blue or 4-channels per fixture: Red, Green, Blue and Intensity.

**COMMUNICATION TO FIXTURE:** DMX512 direct.

**VOLTAGE:** 120VAC 60HZ only.

**LENS:** 8 5/8" (219mm) diameter convex linear spread tempered glass.

**GASKET:** Single piece molded U-shaped silicone gasket.

**CORD:** Minimum of 35' of #16/3ST submersible rated cord for standard 120VAC line, minimum of 35' of submersible rated data cord for DMX512 signal. Cord entrance is epoxy encapsulated. Cord length must be specified. NOTE: Sufficient cord should be coiled in the niche to allow for the fixture to be removed and brought above water level for maintenance.

**FACTORY LEAK TESTED:** Fixtures are tested at 10 PSI (0.70kg/cm<sup>2</sup>) internal pressure while totally submerged in water.

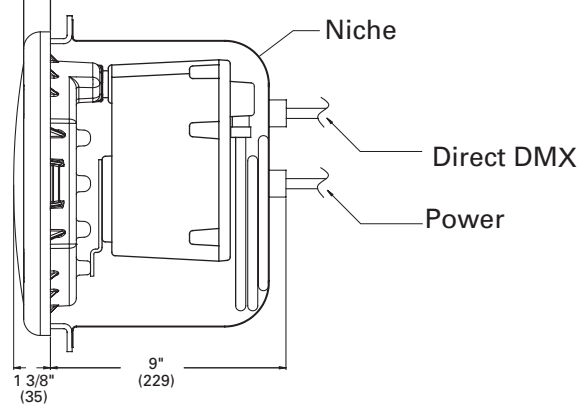
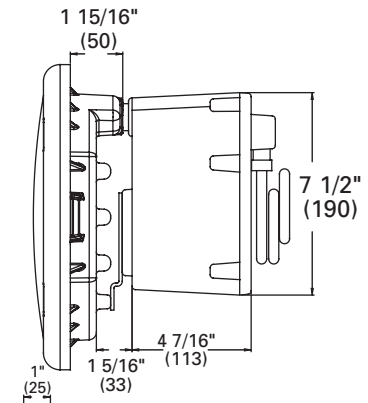
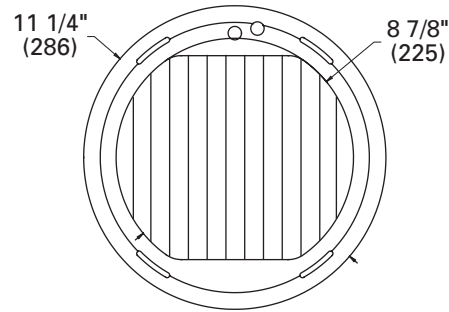
**LOW WATER PROTECTION:** Temperature sensing circuit reduces power to LEDs to prevent damage.

**FASTENERS:** Stainless steel.

**LISTING:** U.L.

TYPE	JOB NAME				
------	----------	--	--	--	--

PART					
Model	Material	LED Type	LED Color	Voltage	Distribution
_____	_____	_____	_____	_____	_____
_____	_____	_____	_____	_____	_____
_____	_____	_____	_____	_____	_____



 Hydrel is an ISO 9001 Certified Manufacturer

NOTE: HYDREL RESERVES THE RIGHT TO MODIFY SPECIFICATION WITHOUT NOTICE. Any dimension on this sheet is to be assumed as a reference dimension: "Used for information purposes only. It does not govern manufacturing or inspection requirements." (ANSI Y14.5-1973)

APPROVALS
-----------

# LED SWIMMING POOL ORDERING INFORMATION

## 60 Hz Application

Choose the boldface catalog nomenclature that best suits your needs.

**PART NO.**

---



---

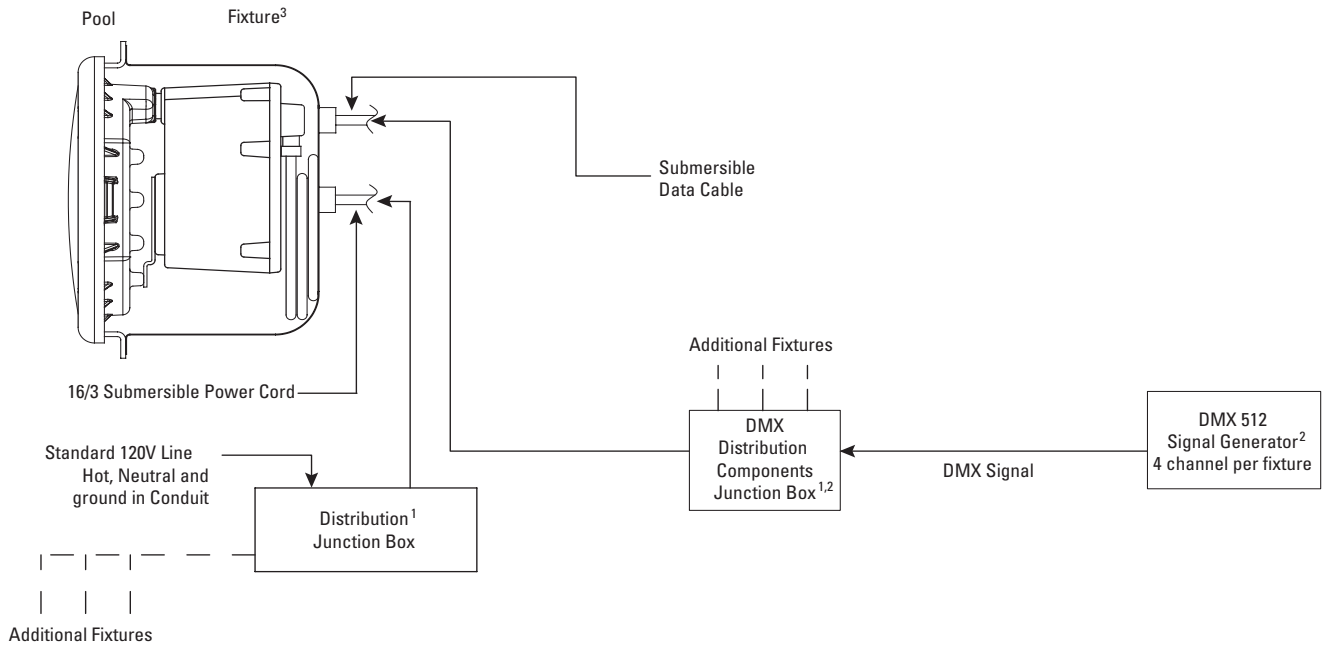


---

**EXAMPLE:**

<b>4426</b>	<b>SS</b>	<b>60LED</b>	<b>RGB</b>	<b>120</b>	<b>WFL</b>	<b>CLS</b>	<b>NM</b>	<b>4DMX</b>	<b>DDX</b>	<b>CSL50</b>
<b>Model</b>		<b>LED Type</b>		<b>Voltage</b>		<b>Lens</b>	<b>Mounting</b>		<b>Communication to Fixture</b>	
<input type="checkbox"/> 4426		<input type="checkbox"/> 60LED 60 Watts		<input type="checkbox"/> 120		<input type="checkbox"/> CLS Convex Lens Swim	<input type="checkbox"/> NM Niche Mt		<input type="checkbox"/> DDX Direct DMX	
	<b>Material</b>		<b>LED Color</b>		<b>Distribution</b>			<b>Control</b>		<b>Cord Set Length</b>
	<input type="checkbox"/> B Bronze <input type="checkbox"/> SWB Saltwater Bronze <input type="checkbox"/> SS Stainless Steel		<input type="checkbox"/> RGB Mixing		<input type="checkbox"/> WFL Wide Flood			<b>3-Channel</b> <input type="checkbox"/> 3DMX DMX 512 <b>4-Channel</b> <input type="checkbox"/> 4DMX DMX 512		<input type="checkbox"/> CSL_ 35'-120' of cord available in 5' increments

## TYPICAL SYSTEM LAYOUT FOR DIRECT DMX 512 COMMUNICATION:



**Notes:**

- <sup>1</sup> Junction Box (Sold Separately)
- <sup>2</sup> DMX Distribution Components and Signal Generator (by others)
- <sup>3</sup> Niche to be installed to accommodate two conduit runs.
  - a) First Conduit Run - 120V Power Supply
  - b) Second Conduit Run - DMX512 Signal