



FEATURES & SPECIFICATIONS

INTENDED USE

Provides a minimum of 90 minutes illumination for the rated wattage upon loss of AC power. Ideal for applications requiring low-profile, attractive emergency lighting.

CONSTRUCTION

Compact, low-profile, architectural design with die-cast aluminum housing that has a contemporary brushed nickel-plated finish. Other available finishes are texturized polyester powder coat paint in white, black and dark bronze. All finishes can be painted in the field to match the wall color of choice.

U.S. Patent No. D468,046.

Two 6W wedge-base xenon lamps offer 55 percent more light output than standard incandescent lamps.

Patent-pending reflector/refractor design features superior vac-metalized, die-casted reflectors; and multi-faceted, highly transmissive refractor that significantly improve photometrics.

Dual-voltage input capability (120/277V).

Edge connectors on printed circuit board ensure long-term durability.

Universal J-box mounting pattern.

Low-profile, integrated test switch/pilot light located below the lens.

Easily visible green status indicator.

Rigid conduit entry provision on top of the unit.

BATTERY

Sealed, maintenance-free lead-calcium battery provides 12W rated capacity. Nickel-cadmium battery with Premium and Exterior option packages.

Automatic 48-hour recharge after a 90-minute discharge.

Low-voltage disconnect prevents excessively deep discharge that can permanently damage the battery. Single-circuit battery connection.

ELECTRONICS

Current-limiting charger maximizes battery life and minimizes energy consumption. Provides low operating costs.

Short-circuit protection — current-limiting charger circuitry protects printed circuit board from shorts.

Thermal protection senses circuitry temperature and adjusts charge current to prevent overheating and charger failure.

Thermal compensation adjusts charger output to provide optimum charge voltage relative to ambient temperature.

Regulated charge voltage maintains constant-charge voltage over a wide range of line voltages. Prevents over/undercharging that shortens battery life and reduces capacity.

Filtered charger input minimizes charge voltage ripple and extends battery life. AC/LVD reset allows battery connection before AC power is applied and prevents battery damage from deep discharge.

Brownout protection is automatically switched to emergency mode when supply voltage drops below 80 percent of nominal.

ORDERING INFORMATION

Choose the boldface catalog nomenclature that best suits your needs and write it on the appropriate line. Order accessories as separate catalog numbers.

Example: **AFN W PREM**

AFN
Family

AFN Affinity Series die-cast architectural emergency lighting

Finish

W White
B Black
BN Brushed nickel
DB Dark bronze¹

Option Packages

(blank) Features lead calcium battery
PREM Features ni-cad battery, self-diagnostics and damp location 0° to 50°C (32° to 122°F)
EXT Features high-temperature ni-cad battery listed from -18° to 50°C (0° to 122°F), self-diagnostics. Listed for cold weather, damp and wet location²

Accessories

Order as separate item.

ELA AFNR DB Remote fixture (less batteries and electronics) to be powered by 6V battery equipment as part of an emergency lighting system (listed from -40°C to 60°C)³

NOTES:

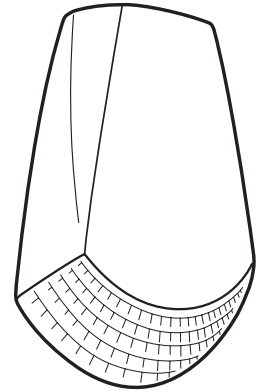
- Dark bronze can only be ordered with the exterior package. This finish will not be available on other units.
- Exterior package available in dark bronze and white only.
- Only available in dark bronze with the wet location and cold weather listing (-40°C to 60°C).

Catalog Number	
Notes	Type

Die-Cast Architectural Emergency Light

AFN

AFFINITY®



SELF-DIAGNOSTICS (SD option)

Patented Electronics - U.S. Patent No. 6,502,044.

Single multi-chromatic LED indicator to display two-state charging, test activation and three-state diagnostic status.

Test switch provides manual activation of 30-second diagnostic testing for on-demand visual inspection.

Self-diagnostic testing for five minutes every 30 days and 30 minutes every six months.

Diagnostic evaluation of lamp, AC to DC transfer, charging and battery condition. Continuously monitors AC functionality.

Postpone automatic test initiates eight hour delay of an automatic test by activating the manual test switch.

LISTING

UL listed. Wet location (EXT) listed. Damp location (PREM, EXT) listed. Cold weather (EXT) listed.

Meets UL 924, NFPA 101, NFPA 70-NEC and OSHA illumination standards. UL labeled.

WARRANTY

Three-year total customer satisfaction warranty. For details, see the Product Selection Guide.

AFN Die-Cast Architectural Emergency Light, Affinity®

SPECIFICATIONS

ELECTRICAL

Primary Circuit

Type	AC Input			Output Volts	Watts Output 1-1/2hrs.
	Volts	Amps	Watts		
AFN	120	.11	1.1	6	12
	277	.12	1.3		
AFN PREM	120	.15	1.4	6	12
	277	.14	1.4		
AFN EXT	120	.23	21	6	12
	277	.25	35		

BATTERY

Sealed Lead-Calcium

Voltage	Shelf life ¹	Expected life ¹	Maintenance	Optimum temperature ²
6	6 mos.	5-8 yrs.	none ³	60-90°F (16-32°C)

Nickel-Cadmium

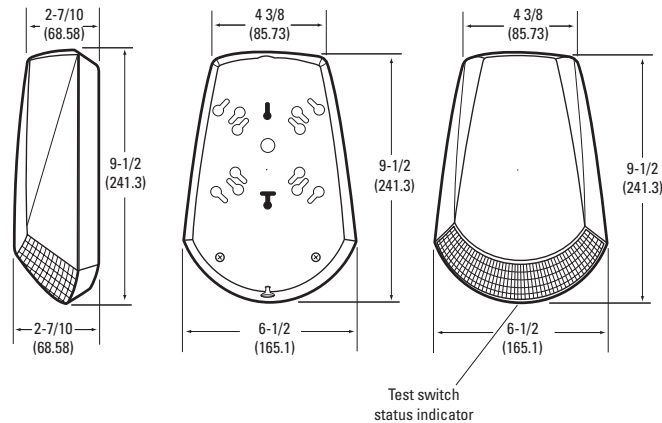
Voltage	Shelf life ¹	Expected life ¹	Maintenance	Optimum temperature ²
6	3 yrs.	7-9 yrs.	none ³	32-100°F (0-38°C)

- 1 At 77°F (25°C).
- 2 Optimum ambient temperature range where unit will provide capacity for 90 minutes. Higher and lower temperatures affect life and capacity. See option packages for expanded temperature ranges. Consult factory for detailed information.
- 3 Periodic system status test recommended.

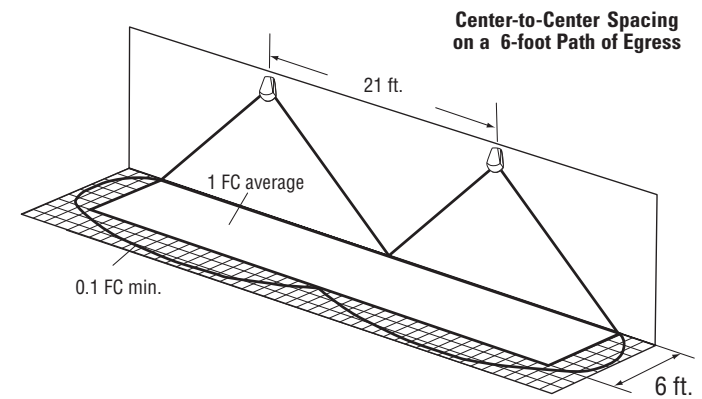
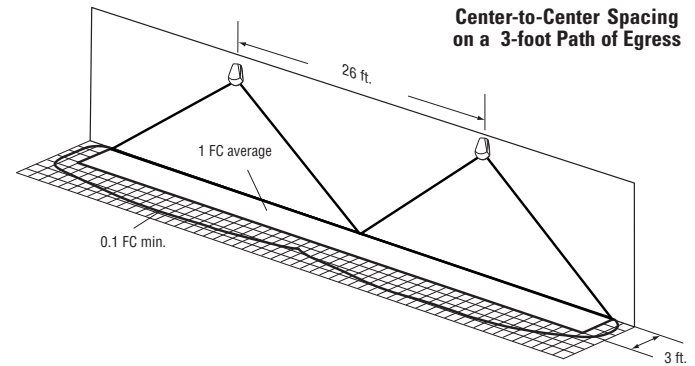
MOUNTING

All dimensions are inches (millimeters).

Shipping weight: 3.5 lbs. (1.59 kgs.)



FIXTURE PERFORMANCE



SPACING GUIDE

Xenon Lamp	Path of Egress 3'-wide	Path of Egress 6'-wide
Center-to-Center Spacing	26'	21'

NOTE: Meets Life Safety Code standard minimum illuminance of 0.1 FC and average illuminance of 1.0 FC. Assumes open space with no obstructions, mounting height: 8.5', ceiling height: 9', and reflectances: 80/50/20.