



MILLENIUM METREX™
Architectural High Abuse LED Exit Signs



MILLENIUM METREX™ EXIT SIGNS

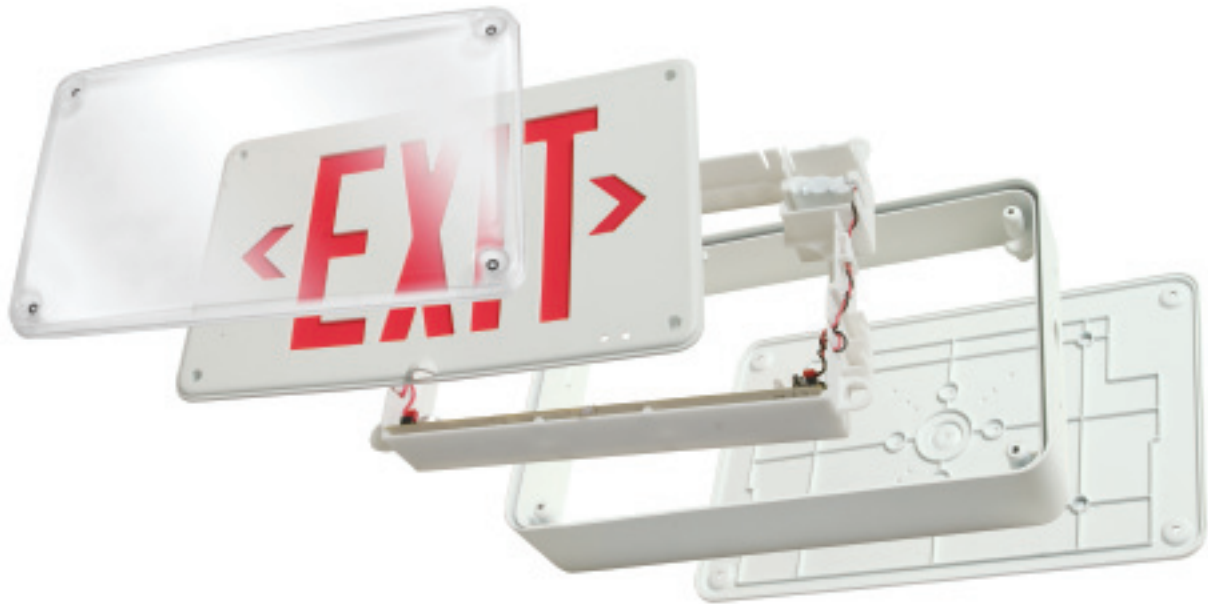


MILLENIUM METREX™ EXIT SIGN SERIES FEATURES:

- Available in single face wall or universal mount, and double face universal mount
- All polycarbonate construction
- Ease of installation and maintenance
- Long-life LEDs driven at 60% (green) and 25% (red) rated capacity
- Standard battery conditioning, self testing and self diagnostics with battery backup
- Laser battery testing standard with battery backup
- Cold weather reliability down to -4°F
- U.L. IP64 classification
- Peace of Mind Lifetime Guarantee™



MILLENIUM METREX™ EXIT SIGNS



Shield

- Clear injection molded polycarbonate
- Captive stainless steel tamper-proof fasteners
- Continuous closed cell silicone gasket

Exit Stencil

- Injection molded polycarbonate
- Field selectable directional chevrons
- Polycarbonate red or green diffusers panels

Electrical Gear Tray

- Long-life LEDs driven well below rated capacity
- Injection molded polycarbonate
- Ease of service of all electrical components

Housing

- Thick walled injection molded polycarbonate
- Continuous closed cell silicone gasket
- Multiple surface conduit feed drill points

Baseplate

- Injection molded high-impact polycarbonate
- Closed cell die-cut pad gasket

Universal Mount Canopy




- Injection molded high-impact polycarbonate
- Heavy gauge steel mounting plate

Listings

- UL and CUL listed for Wet Locations
- UL Classified IP64

ORDERING INSTRUCTIONS

The following steps will assist you in constructing the catalog number of the desired luminaire. See specification sheets for detailed ordering information. Example for: **MET-SU-B-R-DT-EL**

Series	Face	Finish	Legend Color	Voltage	Options	Accessories
MET						
1. Select Series Example: MET-	2. Select Face  SW Single Face Wall Mount  SU Single Face Universal Mount  DU Double Face Universal Mount Example: MET-SU	3. Select Finish B Black Exterior W White Exterior Example: MET-SU-B	4. Select Legend Color R Red G Green Example: MET-SU-B-R	5. Select DT or DTC voltage. DT 120/277 Volts DTC 120/347 Volts Example: MET-SU-B-R-DT	6. Select Options (if needed) EL Battery Pack (32°F) EL-CW Cold Weather Battery Pack (-4°F) (specify 120, 277 or 347 voltage) XAC Auxiliary AC Supply XDC Auxiliary DC Supply (specify X6, X12 or X24 Volt) Example: MET-SU-B-R-DT-EL	7. Select Accessories (if needed) 9500 POSIGRIP™ Screwdriver



1020 Lakeside Drive
Gurnee, Illinois 60031
847-360-8200 FAX 847-360-1781
www.kenall.com