



Catalog Number:

Type:

FGB24 T5HO



Shown with "ACLWG" Clear Acrylic with Wireguard in door option

Shown with A12 Lensed Door Shielding

Fluorescent High Bay

Specifications

Reflectors - Precision formed, high performance, 95% total reflectance, segmented optics utilizing Alanod MIRO® 4 specular aluminum warranted for 25 years. White reflectors have 93+% total reflectance and are finished with an in-house polyester powder coating system. Reflector optics are available in a wide variety of photometric distributions and spacing criteria.

- Optional upright. Suffix letter "U" to reflector selection. Requires X20 or D20 Reflector material.
- Optional heavy gauge reflector material is available for more demanding applications.
- Custom designed reflectors for any specific application, which can increase efficiency or provide desired cutoff for comfort or lighting effect.

Construction - Channel, ends and socket brackets are manufactured from 22-gauge cold rolled steel. Riveted and screwed assembly. Tool-less ballast and wiring access.

- Optional all aluminum housing; fasteners, hardware and internal parts are steel, specify AL and PAF.
- Custom heavy gauge steel housing.

Lamp Shielding - Lamp shielding options are provided with a steel 22ga., premium polyester powder coat finish door frame with two hinges and two opposing painted rotary cam latches. Lenses are held in place with lens clips.

- Optional Flat wireguard can be provided installed in the doorframe, with or without a lens (Suffix "WG" to the lens selection, or use "NLWG" with no lens).
- Optional Formed wireguard can be installed externally, with or without a doorframe/lens option (add "WG" to the end of the fixture nomenclature).

Finish - Standard high gloss white baked enamel, pretreated with a 5-stage iron phosphate system.

- Optional premium polyester powder coat finish, utilizing a 7-stage pretreatment process of iron phosphate, a non-chromium sealer and a de-ionized water rinse to provide superior adhesion and corrosion resistance. Specify PAF (powder coat after fabrication). Required for aluminum construction.
- Custom powder coat colors and textures are available by supplying the RAL number or by supplying a finish sample you wish to match.
- Custom galvanized steel finishes are available utilizing steel galvanized before fabrication.

Ballasts - All standard ballasts are electronic, energy saving, thermally protected, Class-P, HPF, non-PCB, Sound Rated A, UL/CSA certified where applicable and comply with Federal Ballast Law (Public Law 100-357, 1988). Default ballast configuration is for two-lamp ballasts except for 1-lamp fixture.

Electrical - UL listed wire, rated for required temperatures, used throughout. Lamps are secured with rotary locking lamp sockets for ease of relamping and to reduce lamps disconnecting due to vibration or incidental contact. Luminaire is bi-national listed (UL 1598 and CSA C22.2 No. 250.0-00) and is suitable for damp locations.

Mounting - The luminaire may be suspended by chain or cable, or may be monopoint mounted with appropriate accessories.

- Custom mounting options are available.
- Accessories are available.

Lamps - Factory installed lamps are available in various CRI ratings, temperature colors and rated life.

Warranty - Standard 1-year warranty for the fixture. Ballasts carry manufacturer warranties of 3-5 years, depending on the application.

Custom Requirements - Consult with your Speclight Agent to develop custom solutions for any application.

Fixture Series	
FGB24	2' x 4'
Lamp Configuration	
6	6-lamp profile
Lamp Type/Wattage	
54T5HO	F54T5HO
Photometric Distribution	
F1 ***	Focus Beam
T1	Task Beam
N1	Normal Beam
S1	Spread Beam
B1 ***	Broad Beam
Reflector	
X12	MIRO® 4, 0.012"
X20	MIRO® 4, 0.020"
X20U	Uplight, MIRO® 4, 0.020"
D20 *	White Powder Coat, 0.020"
Lamp Shielding****	
(Blank)	No Shielding
A12	Pattern 12 Acrylic, 0.110"
A12WG	Pattern 12 Acrylic, 0.110" w/ WG
ACL	Clear Acrylic, 0.125"
ACLWG	Clear Acrylic, 0.125" w/ WG
NLWG	No Lens Wireguard in Door
PCL125	Clear Polycarbonate, 0.125"
Voltage	
MVOLT	120 - 277V, 60 Hz
HVOLT	347 - 480V, 60 Hz
Ballast Configuration	
(blank)	(3) 2-lamp ballast
1/41/2	(1) 4-lamp & (1) 2-lamp ballast
2/3	(2) 3-lamp ballast
Ballast Type	
GEB10PS	1.0 BF, ≤10% THD, PRS
ACRB	Advance "Cool Running" Ballast
Lamps	
(blank)	No Lamps
LP841	std life, 4100°K, 85 CRI
LP841A	Amalgam 4100°K, 82 CRI
Options	
OUTCTR **	Wiring leads through center of fixture
PAF	Powder Coat After Fabrication
PAFAL	Aluminum Housing
TC ****	Top Protective Cover
WG	Wireguard, 11 gauge, PAF

* Available only with a Normal Beam distribution.
 ** Required when using Monopoint Hanger as a junction box.
 *** Not available with A12 Prismatic Lenses.
 **** 5/55 Warranty is only available with open-shielded luminaires.



Applications

SpecLight's FGB series luminaire is the perfect replacement for HID high bay luminaires. It is typically located in retail, warehouse, industrial, commercial and manufacturing areas. The luminaire is designed for large area lighting applications (5,000 - 1,000,000+ sq. ft.) and may be mounted at heights of 15' to 40'.

Features

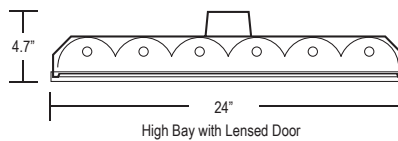
High fixture efficiency and optical control deliver the peak candlepower needed to produce desired illumination levels from high mounting heights.

- Instant on/off control
- Improved horizontal and vertical illumination
- 85 CRI (fluorescent) v. 65 CRI (metal halide)
- 92% Lumen maintenance (fluorescent) v. 50% Lumen maintenance (metal halide)
- Long lamp life - up to 35,000 hours
- 80+ maintained Lumens per watt
- Energy savings of 25% or more vs. HID fixtures

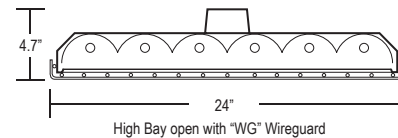
Dimensions



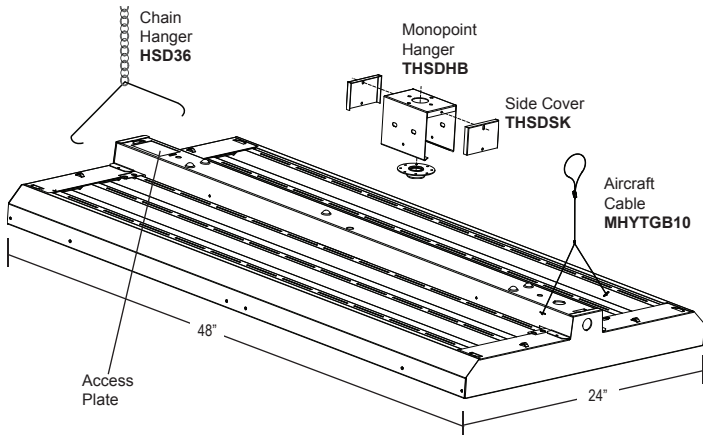
Note: Open top standard version shown. To protect reflector top, specify "TC" - Top Protective Cover option.



High Bay with Lensed Door



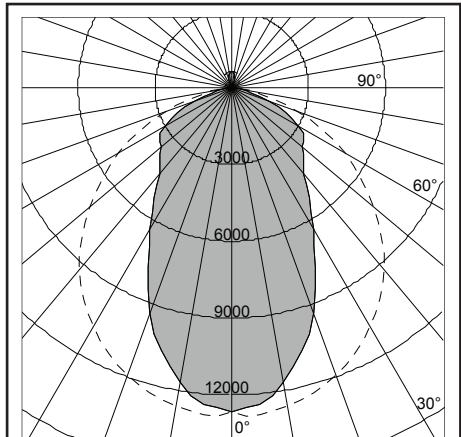
High Bay open with "WG" Wireguard



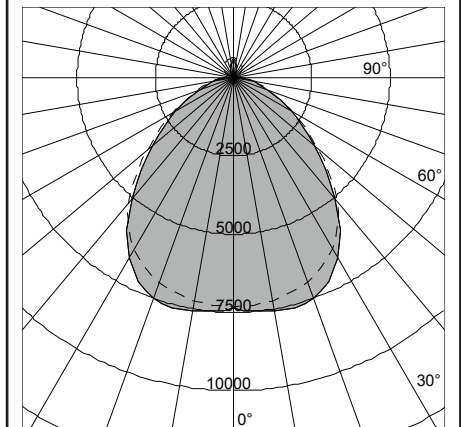
Photometrics

SC Across Definitions:

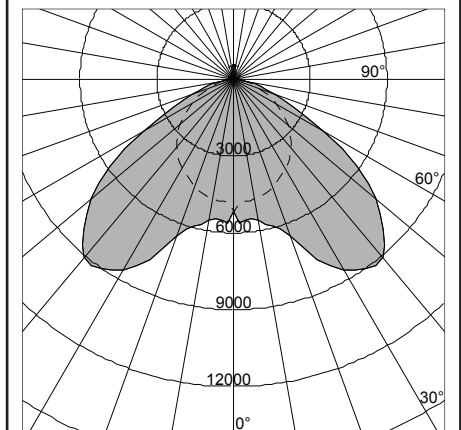
- Focus ($SC < 0.9$), i.e. F1X12
- Task ($0.9 \leq SC < 1.2$), i.e. T1X12
- Normal ($1.2 \leq SC \leq 1.4$), i.e. N1X12, N1D20
- Spread ($1.4 < SC \leq 1.8$), i.e. S1X12
- Broad ($1.8 < SC$), i.e. B1X12



FGB24 6 54T5HO T1X20
Test #ALP200391_S
Fixture Efficiency: 94.8%
SC Across: 0.9, SC Along: 1.3



FGB24 6 54T5HO N1X20 A12
Test #ALP200485_S
Fixture Efficiency: 71.4%
SC Across: 1.3, SC Along: 1.3



FGB24 6 54T5HO B1X20
Test #ALP200430_S
Fixture Efficiency: 93.2%
SC Across: 2.1, SC Along: 1.2

Additional Options (installed on fixture)

- Battery pack
- Motion Sensor
- Fusing
- Cord Sets
- Reloc

Note: To preserve lamp warranty, Program Rapid Start ballasts are required when also using Motion Sensors. Battery Pack, Cord Sets, Reloc and Fusing all require line voltage be specified upon order.

Accessories (order separately)

- Monopoint Hanger, w/ 3/4" KO
- Monopoint Hanger, w/ 3/4" hub
- Side covers for Monopoint Hangers
- Chain Hanger, 36" (2 hangers/kit)
- Safety Chain, 24"
- Aircraft Cable, 2-toggle, 18" legs, 10' (2 hangers/kit)
- Aircraft Cable, 2-hook, 18" legs, 10' (2 hangers/kit)

THSD
THSDHB
THSDSK
HSD36
SCKFV
MHYTGB10
MHYHKB10



Damp Location

T5HO luminaires are provided with Cool Running™ Technology ballasts and are C/UL listed for operation in 55°C ambient temperatures (For Open and Lensed Luminaires)

