

Millenium Metrex™

Indirect LED Exit Signs for High Abuse Environments

METSU Series
 Indirect LED
 Single Face
 Universal Mount



Specifications

Shield: U.V. stabilized, high impact, injection molded clear polycarbonate. Nominal thickness .125". Captive stainless steel POSIGRIP™ fasteners secure shield to housing. Continuous closed cell silicone gasket seals shield to housing.

Housing: High impact, injection molded polycarbonate. Housing provided with canopy mounting and wireway drill points top and side – see Cross Section/Details. Closed cell die-cut Neoprene gasket seals housing to canopy.

Canopy: High impact, injection molded polycarbonate canopy cover with heavy gauge galvanized steel mounting plate with integral 1/4-20 threaded studs. Canopy mounting plate provided with four-point mounting holes, one wireway hole and temporary junction box mounting holes. Closed cell die-cut Neoprene gasket seals canopy to mounting surface.

Legend: Legend illuminated by internal high output LEDs. Lettering eight inches high with .750 inch stroke. Polycarbonate red or green filter panels. High impact, injection molded polycarbonate stencil and field selectable chevron inserts.

Electrical: Electrical components mounted to removable high impact, injection molded polycarbonate chassis. Drill points provided for optional conduit entry.

Options: Sealed nickel-cadmium Emergency Battery Pack (EL) with standard battery conditioning, self test and self diagnostic circuitry, remote laser activated test switch, protected mechanical test switch and status indicator. Provides 90 minutes of emergency operation; 60 minutes with CSA option. Emergency Battery Pack (EL) suitable for 50°F to 104°F. Cold Weather Emergency Battery Pack (EL-CW) suitable for -40°F to 104°F.

Listings/Certifications: UL and CUL listed for Wet Locations. UL Classified IP64. Meets or exceeds UL924 and NFPA 101 standards. Optional CSA Certified and labeled. Meets or exceeds CSA C22.2 No. 141, C860-01 and NRCAN/C860-01 requirements.

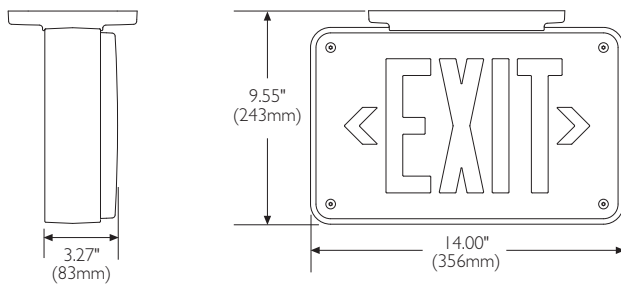
Installation: Standard four-point mounting required for Peace of Mind Lifetime Guarantee™.

Ordering Information

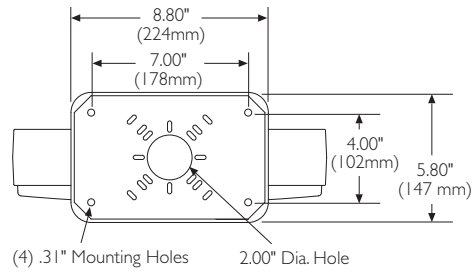
Series	Finish	Legend Color	Voltage	Options	Accessories
METSU					
Finish		Legend Color		Options	
MB Matte Black Exterior		R Red		EL Emergency Battery Pack (50°F)	
MW Matte White Exterior		G Green		EL-CW Cold Weather Emergency Battery Pack (-40°F)	
		Voltage		XAC Auxiliary AC Supply (matches voltage selection)	
		DT* 120/277 Volts		XDC Auxiliary DC Supply (6/12/24 volts)	
		DTC 120/347 Volts		CSA Certified and Labeled to Comply with Canadian Standards	
				Accessories	
				LP Laser Pointer	
				9500 POSIGRIP™ Screwdriver	

* Not available with CSA Option.

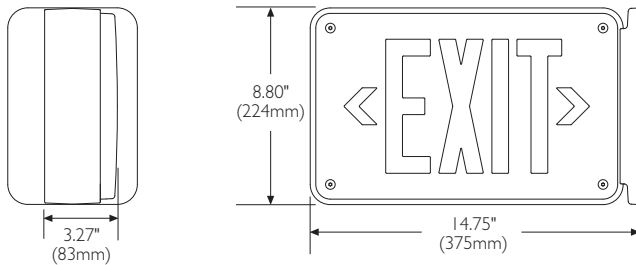
Cross Section/Details
Ceiling Mount



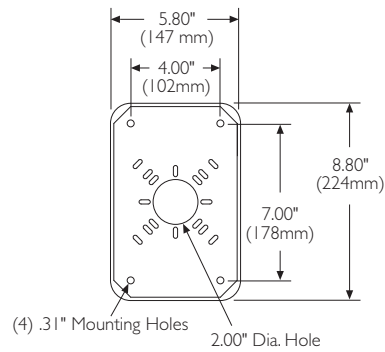
Ceiling Canopy Mounting View



End Mount



End Canopy Mounting View



Peace of Mind Guarantee

Kenall high abuse luminaires are designed and built to take exceptional physical punishment. When installed according to our instructions, Kenall will repair or replace any fixture rendered inoperable due to physical abuse for the product life of the original installation.

PEACE OF MIND

Lifetime Guarantee™

Quick Specification

Shield: U.V. stabilized, high impact, injection molded clear polycarbonate.

Housing: High impact, injection molded polycarbonate.

Canopy: High impact, injection molded polycarbonate canopy cover; Heavy gauge steel mounting plate with integral threaded studs.

Legend: Legend illuminated by internal high output LEDs. Polycarbonate red or green filter panels. High impact, injection molded polycarbonate stencil and universal directional chevron inserts.

Electrical: Electrical components mounted to removable high impact, injection molded polycarbonate chassis.

Listings: UL and CUL listed for Wet Locations. UL Classified IP64. Meets or exceeds UL924 and NFPA 101 standards. Optional CSA Certified and labeled. Meets or exceeds CSA C22.2 No. 141, C860-01 and NRCAN/C860-01 requirements.

Project Information

Job Name _____

Job Location _____

Fixture Type _____ Quantity _____

Catalog Number _____

Approved by _____

Date _____