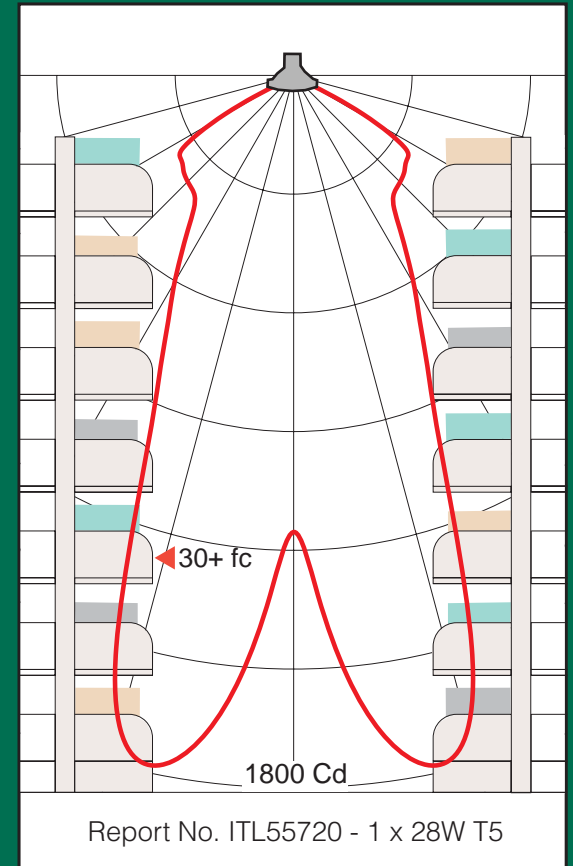


30 30 STACK LIGHT™

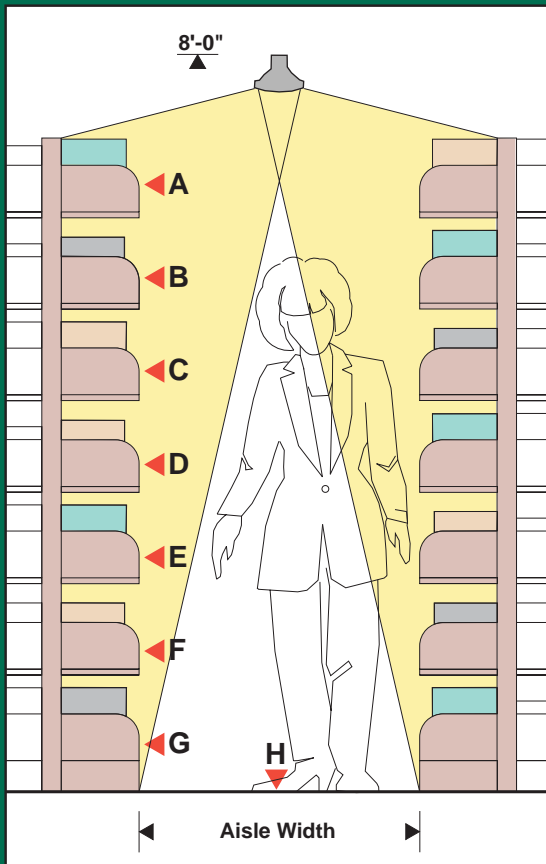


30+ footcandles vertical @ 30"

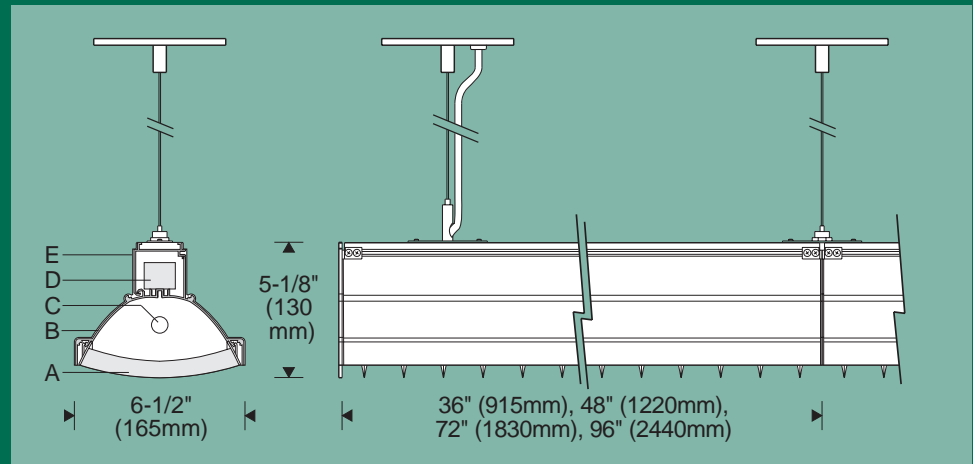
Exceeds IESNA recommended light levels and complies with ASHRAE/IESNA Energy Standards and California's stringent Title 24 energy code.

Using a 28W T5 lamp, the **30-30** drives light straight to the bottom shelves. With no known equal ... **elliptipar's 30-30** is the energy efficient, high performance solution for library stack lighting.

30 30 STACK LIGHT™



	Height above floor	FC vertical	
		36" aisle	42" aisle
A	78"	53	46
B	66"	43	38
C	54"	40	37
D	42"	38	34
E	30"	32	32
F	18"	27	29
G	6"	23	25
H	Floor (horiz.)	65	65



- A Semi-specular polycarbonate parabolic cross-baffles for 25° shielding along aisle
- B Extruded reflector for exacting performance
- C T5 lamp for precise optical control
- D Electronic ballast with programmed start for long life, low energy
- E Stainless steel hardware. Choice of thermoset powdercoat colors.



Available in surface, cable or stem mounting. Continuous row with through wiring - quick connects optional.

Initial vertical footcandle values on shelves (horizontal at floor) estimated with **80/20/20** reflectances. Values are based on the average over the center 8' of a 24' row.

IESNA recommends 30 fc vertical at 30" a.f.f.

Meets California Title 24 LPD limit of 1.5 W/SF (1.7 W/SF for ASHRAE/IESNA Standard 90.1-2001).

Example - Single 28W T5 lighting 36" aisle with 24" shelves: $30W \div (5' \times 4') = 1.5 \text{ W/SF}$. Surrounding circulation and common spaces may further reduce the LPD.