



An Acuity Brands Company

SUITABLE FOR WET LOCATIONS IP68



M9710/M9730 SERIES MODULAR IN-GRADE LUMINAIRE SINGLE LENS LED

DESCRIPTION

Hydrel's M9710/M9730 Series modular in-grade lights are multi-purpose units designed for uplighting of architectural and landscape features. These units can be flushed mounted into a variety of substrates or landscape materials.

The M9710/M9730 consists of a factory-sealed lamp module and encapsulated power module. The components are secured inside a heavy-duty polymer rough-in housing designed with channeled convective cooling, an integral junction box, and finish door trim assembly.

FEATURES & SPECIFICATIONS

DOOR MATERIAL: Cast Aluminum, cast bronze, cast aluminum or bronze with stainless perforated trim insert or Stainless Steel. Available in round or square door trim.

ROUGH-IN SECTION: Injection molded polymer with integral junction box for thru-branch wiring. The housing is U.V. stabilized, impact and corrosion resistant for use in all types of environments. The rough-in section has a cylinder/vault configuration and houses the lamp and power module components and top door finishing section.

LAMP MODULE: Stainless steel housing, factory-sealed and purged of all moisture for longer component life. Lens is sealed with silicone gasket and stainless steel clamp band assembly with single fastener. Electrical connection to lamp module is done through a submersible quick pull plug connector with gold-plated contacts. **LAMP INCLUDED**

LAMP TYPE: LED: Monochromatic LEDs, 22W

VOLTAGE: See ordering guide.

DISTRIBUTIONS: See ordering guide.

FINISHING SECTION: Single lens design includes door assembly with 360° Aim-Lock™ lamp module support ring. Module indexing provides easy maintenance and relamping without re-aiming. Active optical lenses are also available. Door trim locks into position with two stainless steel captive, tamper-resistant fasteners.

POWER MODULE: LED driver is encapsulated in a custom designed heat-dissipating epoxy resin that also eliminates all moisture intrusion. Module is provided with submersible rated cord leads for connection to integral junction box and lamp module.

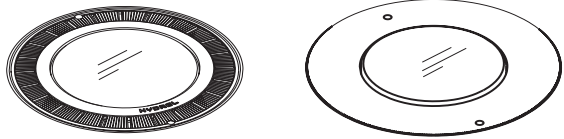
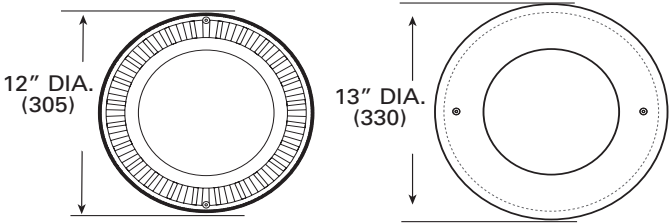
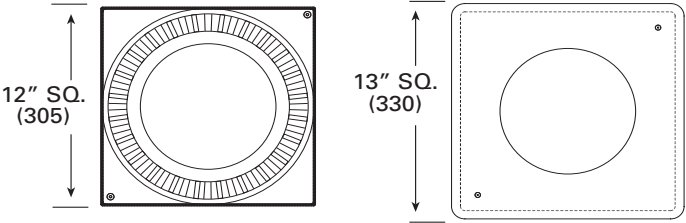
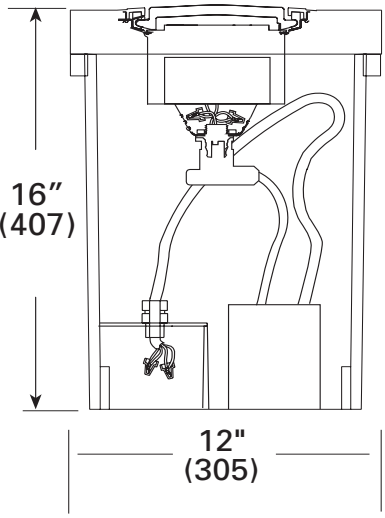
CONDUIT ENTRIES: Two (2) bottom or side entries available. Box suitable for through-branch wiring. Splicing volume is 25 in³ (410 ccm)

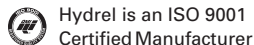
NOTE: Potting compound (PC21) recommended for junction box splices. PC21 sold separately.

ACCESSORIES: See ordering guide.

FINISH: Finish is natural aluminum or bronze. Stainless steel door is brushed finish. Aluminum doors may be painted. See ordering guide.

LISTING: U.L., CUL, CE

TYPE		JOB NAME			
PART NUMBER					
Model	Material	Lamp Type	LED Color	Voltage	Distribution
Lens	Conduit Entry	Accessories	Options	Lamp	Finish
 <p>Bronze or Aluminum Round 13" Stainless Steel Round</p>  <p>12" DIA. (305) 13" DIA. (330)</p> <p>12" Bronze or Aluminum 13" Stainless Steel Square</p>  <p>12" SQ. (305) 13" SQ. (330)</p>  <p>16" (407)</p> <p>12" (305)</p> <p>LED Rough-in housing</p>					
APPROVALS					





An Acuity Brands Company

M9710/M9730 ORDERING INFORMATION

60 Hz Application

Choose the boldface catalog nomenclature that best suits your needs.

PART NO. _____

EXAMPLE:

M9710	A	22LED	RBL	120	SP	FLC	34B	IHL	LP	BL
Model <input type="checkbox"/> M9710 Round <input type="checkbox"/> M9730 Square		Lamp Type <input type="checkbox"/> 22LED	LED Color <input type="checkbox"/> CLW Cool White <input type="checkbox"/> CLWHO Cool White - High Output <input type="checkbox"/> WMW Warm White <input type="checkbox"/> AMB Amber <input type="checkbox"/> BLU Blue <input type="checkbox"/> CYN Cyan <input type="checkbox"/> GRN Green <input type="checkbox"/> RED Red <input type="checkbox"/> RBL Royal Blue	Voltage <input type="checkbox"/> 120 ⁶ <input type="checkbox"/> MVOLT			Conduit Entry <input type="checkbox"/> 12B 1/2" NPT bottom <input type="checkbox"/> 12S 1/2" NPT side <input type="checkbox"/> 34B 3/4" NPT bottom <input type="checkbox"/> 34S 3/4" NPT side		Lamp <input type="checkbox"/> LP Lamp included	
Material <input type="checkbox"/> A Aluminum <input type="checkbox"/> B Bronze <input type="checkbox"/> SS Stainless Steel <input type="checkbox"/> ASP ¹ Aluminum Stainless Perforation <input type="checkbox"/> BBP ¹ Bronze with Bronze Perforation <input type="checkbox"/> BSP ¹ Bronze with Stainless Perforation				Distribution <input type="checkbox"/> SP Spot <input type="checkbox"/> MFL Medium Flood <input type="checkbox"/> WFL Wide Flood <input type="checkbox"/> LSD Linear Spread Distribution				Options <input type="checkbox"/> LDIM ⁶ 0-10V Dimming		
				Lens <input type="checkbox"/> FLC Flat Lens Clear <input type="checkbox"/> FLC10 Flat Lens Clear, 10° tilt <input type="checkbox"/> FLC20 Flat Lens Clear, 20° tilt <input type="checkbox"/> FLF Flat Lens Frosted <input type="checkbox"/> FLCAS Flat Lens Clear, anti-slip <input type="checkbox"/> CLC Convex Lens, Clear <input type="checkbox"/> CLF Convex Lens, Frosted		Accessories <u>Internal</u> ² <input type="checkbox"/> IHL Honeycomb Louver <input type="checkbox"/> LSF Linear Spread Filter <u>External</u> ^{2,4} <input type="checkbox"/> GS Glare Shield <input type="checkbox"/> LC Lexan Cover <input type="checkbox"/> RG ³ Rock Guard <u>Trims</u> ^{2,4} <input type="checkbox"/> BTR Bronze Round <input type="checkbox"/> BTS Bronze Square <input type="checkbox"/> STR Stainless Round <input type="checkbox"/> STS Stainless Square		Finish ⁵ <input type="checkbox"/> BL Black <input type="checkbox"/> BZ Bronze <input type="checkbox"/> DDB Dark Bronze <input type="checkbox"/> DNA Natural Alum. <input type="checkbox"/> GN Green <input type="checkbox"/> GR Gray <input type="checkbox"/> SND Sand <input type="checkbox"/> STG Steel Gray <input type="checkbox"/> TVG Terra Verde Green <input type="checkbox"/> WH White <input type="checkbox"/> CF Custom Finish		

M9700 Series Assembly MRIS97 Rough-In Housing
consists of the following MFS97 Finishing Section
individual component MACS Lamp Module
parts: MHSL97 Power Module

Notes:

- Not Available with M9730 square model.
- Accessories are mutually exclusive, choose one only.
- Not available with CLC or CLF convex lens.
- Accessory not available with SS door material.
- Door material finish is natural cast aluminum (A) or cast bronze (B) unless specified. Stainless steel (SS) door available with brushed finish standard.
- Dimming available with 120 V only.

