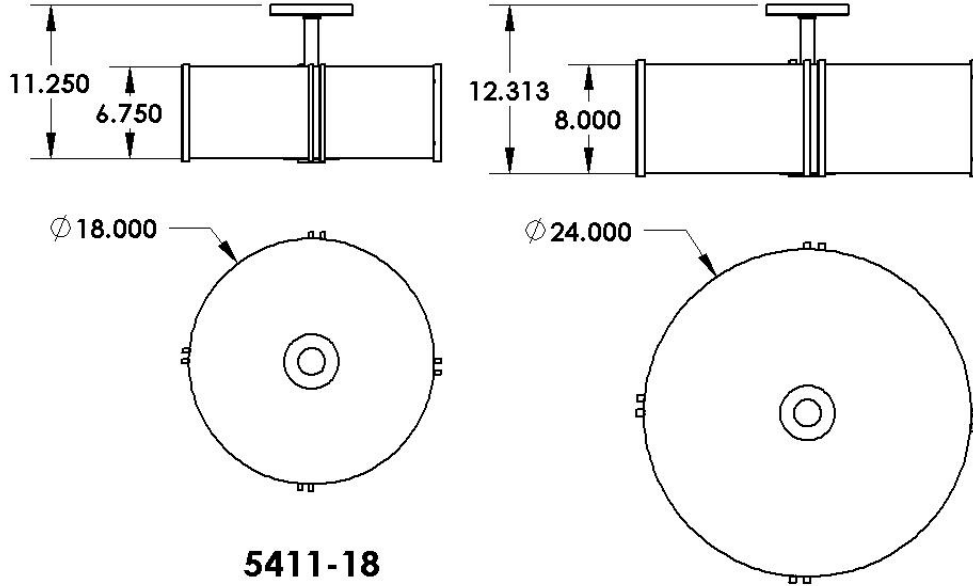


LUMINAIRE SUBMITTAL SHEET

10/14/2008

MODEL #: 5411	SERIES: TEXTURES	MODEL NAME: HALEN	TYPE:
----------------------	-------------------------	--------------------------	-------



5411-18

5411-24

Your Specification: _____

<p>CATALOG NUMBER: 5411-18 5411-24</p> <p>LAMPING: 5411-18 I (2) 60W A-19 F (2) CFQ26W 5411-24 I (4) 60W A-19 FQ (4) CFQ26W</p> <p>VOLTAGE: 120V 120 Volt 277V 277 Volt (Incandescent 120V only)</p> <p>LENS OPTIONS: OA Opal Acrylic (Etched Exterior) FAH4 White Vein Faux Alabaster FAH5 Antique Faux Alabaster FAH6 Gray Vein Faux Alabaster FAH7 Beige Vein Faux Alabaster FAH8 Faux Cloth White FAH9 Faux Cloth Beige FAH10 Faux Cloth Orange</p>	<p>FINISHES: Standard BAL Brushed Aluminum LBP Light Bronze Paint Custom CPF Custom Painted Finish (Consult Factory) CMF Custom Metal Finish (Consult Factory) SPECIAL: STD Standard MOD Modified</p> <p>WEIGHT (lbs): (Hanging) 5411-18 I 11 F 11 5411-24 I 17 FQ 17</p>	<p>SPECIAL/MODIFICATIONS DESC. (MOD only):</p> <p>PROJECT: _____ QTY: _____</p> <p>NOTES:</p> <ul style="list-style-type: none"> • UL LISTED AND UL APPROVED. • WINONA LIGHTING PRODUCTS ARE UNION MADE. • CUSTOM SIZES AVAILABLE UPON REQUEST. • ALL FLUORESCENT FIXTURES AVAILABLE IN 120 V AND 277 V. • INCANDESCENT 120 V ONLY. • WINONA LIGHTING RESERVES THE RIGHT TO MAKE DESIGN CHANGES WITHOUT PRIOR NOTICE. • LAMPS NOT INCLUDED. • BALLAST INFORMATION: ELECTRONIC
---	---	---