

FEATURES

OPTICAL SYSTEM

- Self-flanged matte-diffuse high-impact polymer finishing trim with a durable, proprietary, vapor deposition finish.
- Patented Bounding Ray™ Optical Principle design (U.S. Patent No. 5,800,050) provides lamp before lamp image and smooth transition from top of the reflector to bottom.

MECHANICAL SYSTEM

- Housing accommodates a maximum 1-1/2" ceiling thickness.
- Light engine and driver are accessible from above or below ceiling and can be upgraded to accommodate future technology improvements.
- 16-gauge galvanized steel mounting bars with continuous vertical adjustment are shipped pre-installed. Post installation adjustment possible without the use of tools from above or below ceiling.
- Galvanized steel junction box with hinged access covers and spring latch. Three combination 1/2"-3/4" and one 1/2" knockout for straight-through conduit runs. Capacity: 8 (4in, 4out) No. 12 AWG conductors rated for 90°C.
- Secondary housing adjustment system for precise, final ceiling to flange alignment.

ELECTRICAL SYSTEM

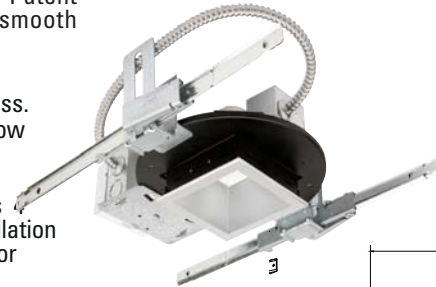
- Solid state LED light engine available in 3500° or 4100°K color temperatures.
- Class P, thermally protected solid state dimming driver is standard.
- Rated system life of 50,000 hours at 70% output.
- Thermally activated insulation detector.
- Emergency battery pack and SIMPLY5™ energy management system available.
- Luminaire should be installed in applications where ambient temperatures do not exceed 50°C. Ambient temperatures that exceed 50°C will result in reduced lamp life and will void warranty.

LISTING

- Fixtures are UL Listed for thru-branch wiring, Non-IC recessed mounting and damp locations. 0-10V dimming; dry location only. Listed and labeled to comply with Canadian Standards. Tested to IESNA LM-79 and LM-80 standards.

Type

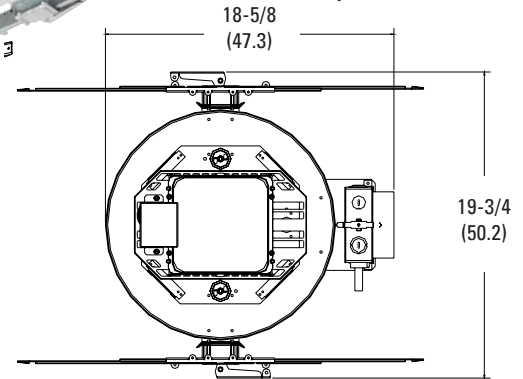
Catalog number



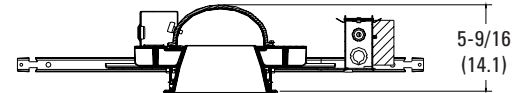
Square LED Downlights

6" ECSS

Ecos™ Square Open Reflector



All dimensions are inches (centimeters)



Minimum of 9" required above fixture for non-accessible ceilings.

Aperture: 6 (15.2)
Ceiling opening: 6-5/8 (16.8)
Overlap trim: 7-3/16 (18.3)

ORDERING INFORMATION

Example: ECSS 35/12 6AR LD 120 SYZT

Choose the boldface catalog nomenclature that best suits your needs and write it on the appropriate line. Order accessories as separate catalog numbers (shipped separately).

ECSS

Series	Color temperature	Nominal lumen output	Aperture	Trim color	Finish	Voltage	Driver	Options
ECSS	35/ 3500°K 41/ 4100°K	12 1200 lms	6	AR Clear PR Pewter WTR Wheat PDSR Stepped pewter WDSR Stepped wheat	LD Matte-diffuse (blank) Semi-specular	120 (blank) 277 347 ¹	S5 ^{2,3} Sylvania 0-10V dimming driver SIMPLY5™ energy management system S5 HW ^{2,3} SIMPLY5™ energy management system less Reloc	SF Single fuse EL ⁴ Emergency battery pack with integral test switch ELR ⁴ Emergency battery pack with remote test switch TRW White flange TRBL Black flange MFLG Microflange trim SQMT ⁶ Square metal trim LRC ⁵ Provides compatibility with Lithonia Reloc® System. Access above ceiling required CP Chicago Plenum approved

NOTES

1. Height of fixture increases 3".
2. SIMPLY5™ includes 9' S5 MLC Reloc wiring system (shipped separately). See simply5.net for more information.
3. Available in 120V or 277V only.
4. For dimensional changes, refer to Technical Bulletins tab.
5. For compatible Reloc systems, refer to Technical Bulletins tab.
6. Not available with stepped trims.
7. Only available with SQMT metal trim option.

6" ECSS Ecos™ Square Open Reflector

Distribution curve	Distribution data	Output data	Coefficient of utilization	Single luminaire data 30" above floor																																																
ECSS 35/12 6AR LD, 39W LED, 1200 delivered lumens, 1.3 s/mh, Input watts: 39, Test no. LTL18184																																																				
	Ave Lumens	Zone Lumens % Lamp	pf pc pw	20% 80% 70% 50%																																																
	0° 659	0° - 30° 527 41.5	0	119 119 119 116 116 116 111 111 111																																																
	5° 659 63	0° - 40° 859 67.7	1	109 106 103 106 104 101 102 100 98																																																
	15° 651 183	0° - 60° 1244 98.1	2	99 94 89 97 92 88 93 90 86																																																
	25° 609 281	0° - 90° 1268 100.0	3	89 83 78 88 82 77 85 80 76																																																
	35° 536 332	90° - 180° 0 0.0	4	81 74 69 80 73 68 78 72 68																																																
	45° 360 273	0° - 180° 1268 100.0	5	74 67 61 73 66 61 71 65 60																																																
	55° 121 113		6	68 60 55 67 60 55 65 59 54																																																
	65° 15 18		7	62 55 49 61 54 49 60 53 49																																																
	75° 4 5		8	57 50 45 56 49 45 55 49 44																																																
	85° 1 1		9	53 46 41 52 45 41 51 45 40																																																
90° 0		10	49 42 37 48 42 37 47 41 37																																																	
<table border="1"> <thead> <tr> <th rowspan="2">Mounting Height</th> <th colspan="2">Initial FC Center</th> <th colspan="2">50% beam</th> <th colspan="2">10% beam</th> </tr> <tr> <th>Beam</th> <th>Diameter</th> <th>FC</th> <th>Diameter</th> <th>FC</th> <th>Diameter</th> </tr> </thead> <tbody> <tr> <td>8.0</td> <td>21.8</td> <td>7.1</td> <td>10.9</td> <td>12.9</td> <td>2.2</td> <td></td> </tr> <tr> <td>10.0</td> <td>11.7</td> <td>9.7</td> <td>5.9</td> <td>17.6</td> <td>1.2</td> <td></td> </tr> <tr> <td>12.0</td> <td>7.3</td> <td>12.3</td> <td>3.7</td> <td>22.3</td> <td>0.7</td> <td></td> </tr> <tr> <td>14.0</td> <td>5.0</td> <td>14.9</td> <td>2.5</td> <td>27.0</td> <td>0.5</td> <td></td> </tr> <tr> <td>16.0</td> <td>3.6</td> <td>17.5</td> <td>1.8</td> <td>31.7</td> <td>0.4</td> <td></td> </tr> </tbody> </table>					Mounting Height	Initial FC Center		50% beam		10% beam		Beam	Diameter	FC	Diameter	FC	Diameter	8.0	21.8	7.1	10.9	12.9	2.2		10.0	11.7	9.7	5.9	17.6	1.2		12.0	7.3	12.3	3.7	22.3	0.7		14.0	5.0	14.9	2.5	27.0	0.5		16.0	3.6	17.5	1.8	31.7	0.4	
Mounting Height	Initial FC Center		50% beam			10% beam																																														
	Beam	Diameter	FC	Diameter	FC	Diameter																																														
8.0	21.8	7.1	10.9	12.9	2.2																																															
10.0	11.7	9.7	5.9	17.6	1.2																																															
12.0	7.3	12.3	3.7	22.3	0.7																																															
14.0	5.0	14.9	2.5	27.0	0.5																																															
16.0	3.6	17.5	1.8	31.7	0.4																																															

Distribution curve	Distribution data	Output data	Coefficient of utilization	Single luminaire data 30" above floor																																																
ECSS 35/12 6DSR LD, 39W LED, 1200 delivered lumens, 1.3 s/mh, Input watts: 39, Test no. LTL18185																																																				
	Ave Lumens	Zone Lumens % Lamp	pf pc pw	20% 80% 70% 50%																																																
	0° 496	0° - 30° 404 33.5	0	119 119 119 116 116 116 111 111 111																																																
	5° 498 48	0° - 40° 661 54.8	1	107 104 101 105 102 99 101 98 96																																																
	15° 504 142	0° - 60° 1109 92.0	2	95 90 85 94 88 84 90 86 82																																																
	25° 465 215	0° - 90° 1206 100.0	3	85 78 72 84 77 72 81 75 71																																																
	35° 412 257	90° - 180° 0 0.0	4	76 68 63 75 68 62 73 66 61																																																
	45° 334 256	0° - 180° 1206 100.0	5	69 61 55 68 60 54 66 59 54																																																
	55° 219 192		6	62 54 48 61 53 48 60 53 47																																																
	65° 72 76		7	57 48 43 56 48 43 54 47 42																																																
	75° 15 18		8	52 44 38 51 43 38 50 43 38																																																
	85° 2 3		9	48 40 35 47 40 34 46 39 34																																																
90° 0		10	44 36 31 43 36 31 42 36 31																																																	
<table border="1"> <thead> <tr> <th rowspan="2">Mounting Height</th> <th colspan="2">Initial FC Center</th> <th colspan="2">50% beam</th> <th colspan="2">10% beam</th> </tr> <tr> <th>Beam</th> <th>Diameter</th> <th>FC</th> <th>Diameter</th> <th>FC</th> <th>Diameter</th> </tr> </thead> <tbody> <tr> <td>8.0</td> <td>16.4</td> <td>7.2</td> <td>8.2</td> <td>14.9</td> <td>1.6</td> <td></td> </tr> <tr> <td>10.0</td> <td>8.8</td> <td>9.8</td> <td>4.4</td> <td>20.3</td> <td>0.9</td> <td></td> </tr> <tr> <td>12.0</td> <td>5.5</td> <td>12.4</td> <td>2.7</td> <td>25.8</td> <td>0.6</td> <td></td> </tr> <tr> <td>14.0</td> <td>3.8</td> <td>15.0</td> <td>1.9</td> <td>31.2</td> <td>0.4</td> <td></td> </tr> <tr> <td>16.0</td> <td>2.7</td> <td>17.6</td> <td>1.4</td> <td>36.6</td> <td>0.3</td> <td></td> </tr> </tbody> </table>					Mounting Height	Initial FC Center		50% beam		10% beam		Beam	Diameter	FC	Diameter	FC	Diameter	8.0	16.4	7.2	8.2	14.9	1.6		10.0	8.8	9.8	4.4	20.3	0.9		12.0	5.5	12.4	2.7	25.8	0.6		14.0	3.8	15.0	1.9	31.2	0.4		16.0	2.7	17.6	1.4	36.6	0.3	
Mounting Height	Initial FC Center		50% beam			10% beam																																														
	Beam	Diameter	FC	Diameter	FC	Diameter																																														
8.0	16.4	7.2	8.2	14.9	1.6																																															
10.0	8.8	9.8	4.4	20.3	0.9																																															
12.0	5.5	12.4	2.7	25.8	0.6																																															
14.0	3.8	15.0	1.9	31.2	0.4																																															
16.0	2.7	17.6	1.4	36.6	0.3																																															

Photometric performance is measured in accordance with IESNA LM-79.

For expanded options and updated photometric information, please visit www.gothamlighting.com or contact the factory directly.

This product is protected by one or more of the following patents that are licensed from Renaissance Lighting, Inc.: 7,148,470.

Gotham patents pending.

NOTES:

1. For electrical characteristics, refer to Technical Bulletins tab.
2. Tested to current IES and NEMA standards under stabilized laboratory conditions. Various operating factors can cause differences between laboratory data and actual field measurements. Dimensions and specifications are based on the most current available data and are subject to change without notice.
3. Consult factory or IES file for microgroove baffle, black cone and other photometric reports.

DLED-230

©2009 Acuity Brands Lighting, Inc. All Rights Reserved.

gotham
An Acuity Brands Company

GOTHAM ARCHITECTURAL DOWNLIGHTING
1400 Lester Road Conyers Georgia 30012
P 800 315 4982 F 770 860 3129
www.gothamlighting.com