

# FEATURES

## OPTICAL SYSTEM

- Self-flanged matte-diffuse high-impact polymer finishing trim with a durable, proprietary, vapor deposition finish.
- Patented Bounding Ray™ Optical Principle design (U.S. Patent No. 5,800,050). provides lamp before lamp image and smooth transition from top of the reflector to bottom.
- Proprietary Gotham spread lens delivers a uniform distribution of light to the wall.

## MECHANICAL SYSTEM

- Housing accommodates a maximum 1-1/2" ceiling thickness.
- Light engine and driver are accessible from above or below ceiling and can be upgraded to accommodate future technology improvements.
- 16-gauge galvanized steel mounting bars with continuous 4" vertical adjustment are shipped pre-installed. Post installation adjustment possible without the use of tools from above or below ceiling.
- Galvanized steel junction box with hinged access covers and spring latch. Three combination 1/2"-3/4" and one 1/2" knockout for straight-through conduit runs. Capacity: 8 (4in, 4out) No. 12 AWG conductors rated for 90°C.
- Secondary housing adjustment system for precise, final ceiling to flange alignment.

## ELECTRICAL SYSTEM

- Solid state LED light engine available in 3500° or 4100°K color temperatures.
- Class P, thermally protected solid state dimming driver is standard.
- Rated system life of 50,000 hours at 70% output.
- Thermally activated insulation detector.
- Emergency battery pack and SIMPLY5™ energy management system available.
- Luminaire should be installed in applications where ambient temperatures do not exceed 50°C. Ambient temperatures that exceed 50°C will result in reduced lamp life and will void warranty.

## LISTING

- Fixtures are UL Listed for thru-branch wiring, Non-IC recessed mounting and damp locations. 0-10V dimming; dry location only. Listed and labeled to comply with Canadian Standards. Tested to IESNA LM-79 and LM-80 standards.

Type

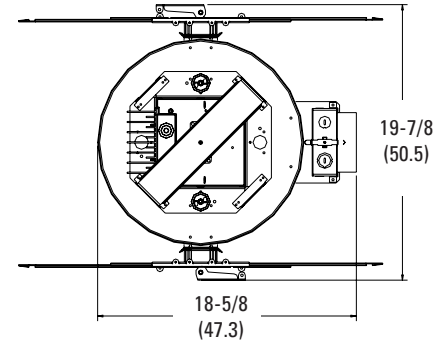
Catalog number



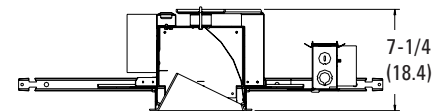
## Square LED Downlights

# 6" ECSSW

## Ecos™ Square Lensed Wallwash



All dimensions are inches (centimeters)



Minimum of 9" required above fixture for non-accessible ceilings.

Aperture: 6 (15.2)  
Ceiling opening: 6-5/8 (16.8)  
Overlap trim: 7-3/16 (18.3)

# ORDERING INFORMATION

Example: ECSSW 35/12 6AR LD 120 SYZT

Choose the boldface catalog nomenclature that best suits your needs and write it on the appropriate line. Order accessories as separate catalog numbers (shipped separately).

## ECSSW

Series	Color temperature	Nominal lumen output	Aperture	Trim color	Finish	Voltage	Driver	Options
<b>ECSSW</b>	<b>35/ 3500°K</b> <b>41/ 4100°K</b>	<b>12 1200 lms</b>	<b>6</b>	<b>AR</b> Clear <b>PR</b> Pewter <b>WTR</b> Wheat <b>PDSR</b> Stepped pewter <b>WDSR</b> Stepped wheat	<b>LD</b> Matte-diffuse <b>(blank)<sup>4</sup></b> Semi-specular	<b>120 (blank)</b> <b>277</b> <b>347<sup>1</sup></b>	<b>S5<sup>2,3</sup></b> Sylvania 0-10V dimming driver <b>SIMPLY5™</b> energy management system <b>S5 HW<sup>2,3</sup></b> <b>SIMPLY5™</b> energy management system less Reloc	<b>SF</b> Single fuse <b>TRW</b> White flange <b>TRBL</b> Black flange <b>MFLG</b> Microflange trim <b>SQMT<sup>5</sup></b> Square metal trim <b>LRC<sup>6</sup></b> Provides compatibility with Lithonia Reloc® System. Access above ceiling required <b>CP</b> Chicago Plenum approved

## NOTES

1. Height of fixture increases 3".
2. SIMPLY5™ includes 9" S5 MLC Reloc wiring system (shipped separately). See simply5.net for more information.
3. Available in 120V or 277V only.
4. Only available with SQMT metal trim option.
5. Not available with stepped trims.
6. For compatible Reloc systems, refer to Technical Bulletins tab.

## CONSULT FACTORY FOR PHOTOMETRY

This product is protected by one or more of the following patents that are licensed from Renaissance Lighting, Inc.: 7,148,470.

Gotham patents pending.

---

### NOTES:

1. For electrical characteristics, refer to Technical Bulletins tab.
  2. Tested to current IES and NEMA standards under stabilized laboratory conditions. Various operating factors can cause differences between laboratory data and actual field measurements. Dimensions and specifications are based on the most current available data and are subject to change without notice.
  3. Consult factory or IES file for microgroove baffle, black cone and other photometric reports.
- 

**DLED-240**

©2009 Acuity Brands Lighting, Inc. All Rights Reserved.

**gotham**  
An **Acuity** Brands Company

**GOTHAM ARCHITECTURAL DOWNLIGHTING**  
1400 Lester Road Conyers Georgia 30012  
P 800 315 4982 F 770 860 3129  
[www.gothamlighting.com](http://www.gothamlighting.com)