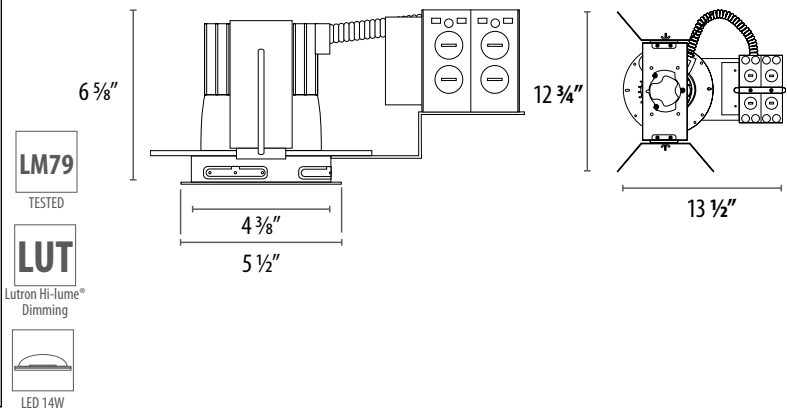


ARISTA®

SS4700

4" LED Downlight 700lm 14W / Open & Lensed Reflector

Catalog Number	Type
Notes	



Housing Matrix | Example : SS470035-27HZ-SF-1100

Series	Lumens / Color Temperature	Power Supply	Reflector	Flange	Lens	Options
A	B	C	D	E	F	G
A Series			D Reflector			
SS4	4" LED Recessed		C Clear Specular HZ Haze W White Matte			
B Lumens / Color Temperature				E Flange		
70035	700 lm 3500K			-SF Self Flanged -SFW Self Flanged White		
C Power Supply					F Lens	
blank	120V Electronic Driver				blank	Open Reflector
-27	277V Electronic Driver				-SB	Sand Blasted
-DIM	120V 0-10V Dimming				-CR	Tempered Clear
-DIM-27	277V 0-10V Dimming					
-LUT	120V Lutron Hi-lume® Dimming					
-LUT-27	277V Lutron Hi-lume® Dimming					
				G Options		
				-EM		Emergency Backup
				-1100		C-Channel Bar Hanger
				-1200		Flat Bar Hanger
				-1400		Wood Joist Bar Hanger

Frame Construction:

Heavy duty galvanized steel frame with a large access junction box. NRTL listed for through wiring. LED light engine and driver are accessible from above or below ceiling.

LED Light Engine:

- Nominal input power = 14W
- Nominal delivered lighting output = 700lm
- 65° beam spread
- 3500K color temperature 83 CRI
- LED's mounted to die cast aluminum heat sink
- 50,000 of average rated life at 70% output
- Fixture should not be installed in applications with an ambient temperature above 50°C
- Applications with an installation above 50°C will result in reduced lamp life and void warranty
- LED module is easily upgradable to accommodate future solid state lighting technology

Optical System:

Innovative optical design: a controlled light distribution at a 55° cut off. Meets RP-1 requirements. No LED pixelation is visible. Specification grade reflector 1.5mm thickness. Available in multiple iridescent free architectural finishes. Self flanged trim standard with optional white self flanged.

Electrical System:

- 120V/277V 50/60Hz input
- 700mA constant current output (25W max.)
- Class 2 power supply
- Over-voltage, over current and short circuit protection: auto recovery
- MTBF > 100,000 hours
- Dimming Options:
 - 0-10V dimming down to 5%
 - Lutron Hi-lume® down to 1%

Lutron Hi-lume® LED driver:

- 120V/277V 50/60Hz input
- MTBF >50,000 hours
- Dimming option allows LED module to dim to 1%-100% dimming.
- EcoSystem® Bus Control, compatible with all Lutron EcoSystem, GRAFIK Eye® QSE and Quantum® system.
- Standard 3-wire line-voltage phase-control technology for consistent dimming performance and compatibility with all Lutron 3-wire fluorescent dimmers

Emergency:

The emergency backup can be used with an LED lighting load of up to 3.5 Watts at rated current of 200mA. Remote test switch with junction included.

- Illumination Time = 90 Minutes
- Dual Input Voltage = 120/277 VAC, 60 Hz
- Test Switch = Single Pole
- Battery = High-Temperature, Maintenance Free, Nickel Cadmium Battery, 7- to 10-Year Life Expectancy
- Recharge Time = 24 Hours
- Charging Indicator Light = LED
- Temperature Rating (Ambient) = 0°C to +50°C (32°F to 122°F)

Mounting Frame:

Universal mounting brackets are installed on all fixtures. C-channels and EMT are the preferred system for T-bar ceilings. Flat bars are ideal for hard ceilings.

Listing:

NRTL listed to US and Canadian standards for damp locations. Lensed Reflector is wet location listed. NRTLs recognized by OSHA include CSA, ETL, UL, and others.
3 Year Warranty

ARISTA®

Catalog #: SS470035C-SF

4" LED Downlight / Open Reflector

Report #: 1209-05A

Reflector Finish: Specular Clear

Color Temperature: 3500K

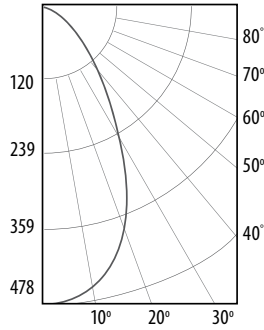
Total Lumen Output: 542 lm

Wattage: 15.75W

Efficiency: 34 lumens per watt

Spacing: 0.94

Distribution Curve



Catalog Number	Type
Notes	

Coefficients of Utilization

Effective Floor Cavity Reflectance = .20

RC	Wall Reflectance											
	80		70		50		30		0			
RW	70	50	30	10	70	50	30	10	50	30	10	0
1	112	109	106	103	110	107	104	102	103	100	98	97
2	105	99	95	91	103	98	93	90	94	91	88	86
3	99	91	85	80	97	90	84	80	87	82	78	77
4	93	84	77	72	91	82	76	72	80	75	71	70
5	87	77	70	65	85	76	70	65	74	69	64	67
6	82	71	64	59	80	70	64	59	69	63	59	62
7	77	66	59	54	75	65	59	54	64	58	54	57
8	73	62	55	50	71	61	54	50	60	54	50	53
9	69	58	51	46	67	57	51	46	56	50	46	50
10	65	54	47	43	64	54	47	43	53	47	43	46

Zonal Lumens and Percentages

Zone	Lumens	%Fixture
0-30	295.5	54.5
0-40	399.81	73.7
0-60	519.58	95.8
0-90	542.42	100
90-180	0	0
0-180	542.42	100

Multiple Unit Data

Spacing on ctr.	Initial Footcandles	Watts/ Sq. Ft.	Number of Luminaires
4	29.6	0.9	36
6	13.4	0.4	16
8	7.6	0.2	9

Zonal Lumen Summary

Zone	CP	Lumens
0	477	36.78
10	466	121.63
20	380	137.09
30	246	104.31
40	135	85.16
50	63	34.61
60	28	15.18
70	16	3.6
80	3	4.06
90	0	0

25' x 25' x 9' Room
Workplace 2 1/2' above floor
80/50/20% Reflectances

Catalog #: SS470035C-SF-SB

4" LED Downlight / Regressed Sand Blasted Lens

Report #: 1209-05B

Reflector Finish: Specular Clear

Lens: Sand Blasted Tempered

Color Temperature: 3500K

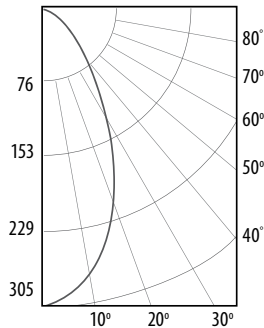
Total Lumen Output: 326 lm

Wattage: 15.78W

Efficiency: 21 lumens per watt

Spacing: 0.82

Distribution Curve



Zonal Lumens and Percentages

Zone	Lumens	%Fixture
0-30	165.84	50.9
0-40	223.74	68.7
0-60	296.21	91
0-90	325.56	100
90-180	0	0
0-180	325.56	100

Zonal Lumen Summary

Zone	CP	Lumens
0	305	22.52
10	273	68.53
20	207	74.78
30	136	57.9
40	76	48.11
50	41	24.36
60	21	19.44
70	7	7.2
80	2	2.7
90	0	0

Coefficients of Utilization

Effective Floor Cavity Reflectance = .20

RC	Wall Reflectance											
	80		70		50		30		0			
RW	70	50	30	10	70	50	30	10	50	30	10	0
1	111	108	104	102	109	106	103	100	101	99	97	98
2	104	98	92	88	101	96	91	87	92	88	85	89
3	97	89	82	77	95	87	81	77	84	79	75	82
4	91	81	74	69	89	80	73	68	78	72	67	75
5	85	74	67	62	83	73	67	62	71	66	61	70
6	80	69	61	56	78	68	61	56	66	60	56	65
7	75	64	56	51	73	63	56	51	62	55	51	60
8	71	59	52	47	69	59	52	47	57	51	47	56
9	67	55	48	44	65	55	48	44	54	48	43	53
10	63	52	45	41	62	51	45	41	51	45	40	50

Luminaire is tested to IESNA standards LM-78-08. Tested to absolute photometry.

ARISTA R-020310 P-2

Intense Lighting | 2861, E La Palma Ave. | Anaheim, CA 92806 | Phone: 1.800.961.5321 | Fax: 1.800.961.5322 | www.intenselighting.com

Note: Specifications and dimensions subject to change without notice.

