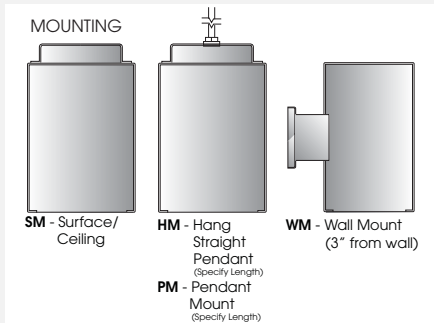


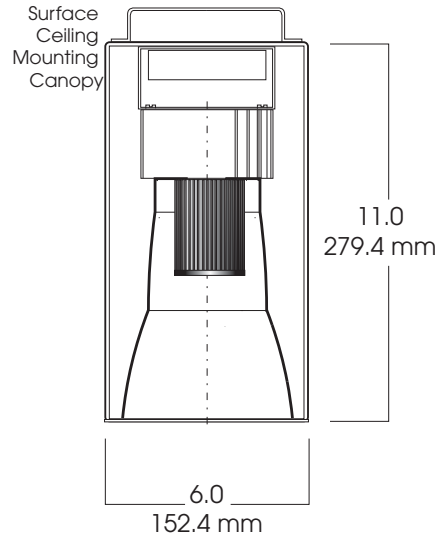
FEATURES:

- 6" diameter cylinder series for use Infinium "Pulse Tech" LED module.
- Infinium™ "Pulse-Tech" features integral air-cooling technology.
- Single high powered LED produces point source quality and luminaire focus.
- 50,000 hours rated lamp life means low maintenance.
- High flux density 14 watt LED.
- All LED modules are replaceable and up-gradable
- Specular clear Alzak trim standard. Rolled flange to finish edge.
- 20 color options.
- Suitable for damp locations.
- Manufactured and tested to UL Standard No. 1598.

**6" CYLINDER SERIES
INFINIUM™ "Pulse Tech"
SELF-COOLING LED**



Dimensions shown are nominal. Spectrum Lighting is continually improving products and reserves the right to make changes that will not alter performance or appearance.



MODEL	LED	KELVIN	CRI	LUMENS	BEAM	VOLTS	OPTIONS	TRIM	MOUNTING	FINISH
SPC0611- Compact Fluorescent Spectrum Cylinder	LED14	2K (2800K)	80	320	12D 21D 38D	E1-120	FS - Fusing GS - Gasket	5312 MW - Matte White 5312 SG - Soft Glow Alzak,	SM* - Surface/ Ceiling CD* - Aircraft cable & Cord (CD-CC Cable & Coil Cord) HM* - Hang Straight Pendant Mount PM* - Pendant Mount WM - Wall Mount *(Specify Length in inches)	MW - MatteWhite GW - GlossWhite MB - Matte Black BZ - Bronze CC - Custom Color * See SPECTRUM Color Chart for a full list of colors
		3K (3200K)	90	350	12D 21D 38D	E1-120				
		4K (4100K)	70	420	12D 21D 38D	E1-120				
		5K (5500K)	75	500	12D 21D 38D	E1-120				
SPC0611	14W	3K			21D	E1	/GS	/5312 MW	/HM	/MW

PROJECT: _____ TYPE: _____
MODEL NO: _____

