

PARK LIGHTER SERIES

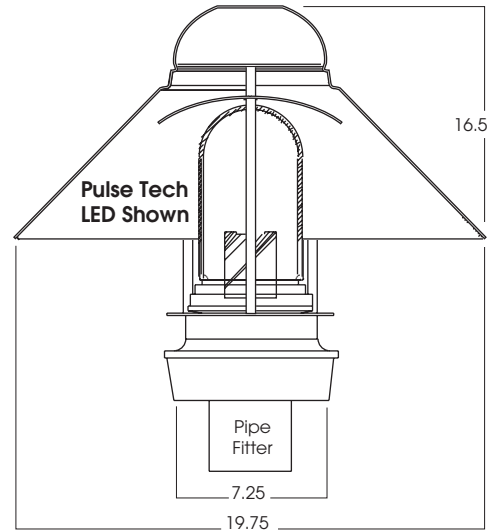
LED / CF / MH / QL



GW- Gloss White Finish Shown

PRODUCT INFORMATION:

- The Park Lighter Series offers rugged design and pole mounting options.
- Optics and lamping designed to produce .5fc while using indirect lighting.
- Fixture is constructed of spun and die cast aluminum.
- Infinium™ "PulseTech" LED lamping, (50,000 hrs. lamp life). Also available in compact fluorescent, metal halide and induction lamping (QL)
- Choose from 20 powdercoat finishes, gloss white interior.
- Standard fixture WL-Wet location listed.
- Manufactured and built to UL standard No 1598.



MODEL	WATTS	BALLAST	LAMP ENCLOSURE	POLE FITTER	FINISH***
PK1910LED	14w3k, 14w4k, 14w5k	E1 - Electronic 120v E2 - Electronic 277v	GJ2 -Glass Lamp Enclosure FJ2 -Frosted Lamp Enclosure WL -Wet Location	PF3 -Fitter for 3" O.D. Pole PF4 -Fitter for 4" O.D. Pole	GW -Gloss White GB -Gloss Black EG -Evergreen VE -Verde Green AY -Aero Yellow BL -Blue Streak OR -Orange RD -Red Baron BZ -Bronze CO -Copper Metallic SI -Silver MM -Metal Finish (Brushed Copper, Brushed Aluminum, Polished Brass) <i>consult factory</i> CC -Cusom Color
PK1910CF	18/26/32/42	EX - Electronic 120/277v			
PK1910MH	20/39- PAR20	EX -Electronic 120/277v			
PK1910QL	55w3k	G1 -120v Generator G2 -277v Generator			
PK1910LED	14W4K	E1	GJ2 WL	PF3	GW

*** See SPECTRUM Color Chart for a full list

Dimensions shown are nominal. Spectrum Lighting is continually improving products and reserves the right to make changes that will not alter performance or appearance with or without written notice.



PROJECT:	TYPE:
CAT. NO.:	

