

FEATURES & SPECIFICATIONS

INTENDED USE

Provides volumetric lighting by filling the entire volume of space with light, delivering the ideal amount of light to walls, cubicles, work surfaces and people. Typical applications include corridors, lobbies, conference rooms and private offices. RT5D LED will fill the space with light without glare or cave effect of traditional downlights. The RT5D LED is 20% more efficient when compared to the mean efficacy of a common two-lamp, 26W DTT compact fluorescent downlight. The system maintains 70% lumen output at more than 50,000 hours.

OPTICAL SYSTEM

Regressed, two-piece refractive system obscures the lamp and smoothly washes the reflector with light.

Impact-modified acrylic prismatic refractor with polymeric light-diffusing film.

CONSTRUCTION

16-gauge galvanized steel mounting/plaster frame with mechanical trim retention integral yoke to retain optical system.

Rugged, one-piece white die-cast reflector system with linear facets softens and distributes light into the space (ships separately).

Mounting bars are 16-gauge galvanized steel with continuous 2-3/4" vertical adjustment, held in place with wingnuts. Post installation adjustment possible without the use of tools from above or below the ceiling.

Galvanized steel junction box with bottom-hinged access covers and spring latches. Two combination 1/2"-3/4" and three 1/2" knockouts for straight-through conduit runs. Capacity: 8 (4 in, 4 out) No. 12 AWG conductors, rated for 90°C.

Fixture height of 4-7/8" allows installation in shallow plenum applications.

Maximum 2" ceiling thickness.

ELECTRICAL SYSTEM

Utilizes high-efficiency LEDs mounted to a metal core circuit board, ensuring cool-running operation, 3500 Kelvin temperature, CRI > 80.

Patent-pending thermal dynamic control ensures cool running LEDs.

Reverse polarity protection and push-in connectors standard.

High-efficiency, thermally protected, electronic LED power supply and driver mounted to the junction box.

Typical lumens per system is 1700 utilizing 41 total system watts.

LISTING

CSA Certified to U.S. and Canadian safety standards. Energy Star rated. Damp location listed.

Energy Star® qualified.

WARRANTY

Three-year LED board and driver warranty, one-year fixture warranty.

Protected by US Patents Nos. D533,781 and D581,376.

ORDERING INFORMATION

Lead times will vary based on options selected. Consult with your sales representative.

Example: RT5D LED 120

RT5D LED								Options	
Series	Lumen output	Color temperature	Voltage						
RT5D LED	(blank) 1700L ¹	(blank) 3500K	120 277 347	LFS	LED freezer shroud (shipped separately) ²				
				CP	Chicago Plenum				
				DIM	0-10V dimming driver, 10% minimum light output				
				S5	SIMPLY5™ energy management system ³				
				S5HW	Energy management system, less RELOC® wiring				

NOTES:

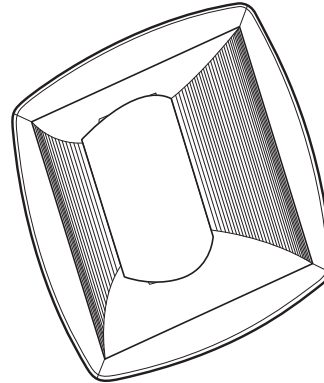
1 Typical system delivered lumens.

2 Available for use only with freezer applications.

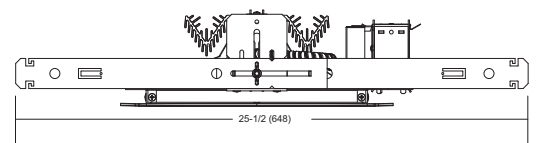
3 SIMPLY5 includes 9' S5 MLC RELOC wiring system (shipped separately). Available in 120V or 277V only.

Catalog Number	
Notes	Type

RT5D LED



1' x 1'
LED



Specifications

Aperture: 10-5/8 (270)

Ceiling Opening: 11-1/4 X 11-1/4 (288 X 288)

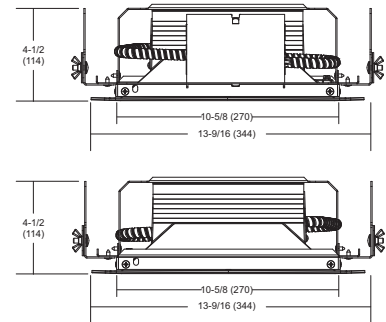
Overlap Trim: 13-9/16 (344)

Height: 4-7/8 (124)

Length: 25-1/2 (648)

Standard Width: 15 (381)

All dimensions are inches (millimeters).



Replacement parts:

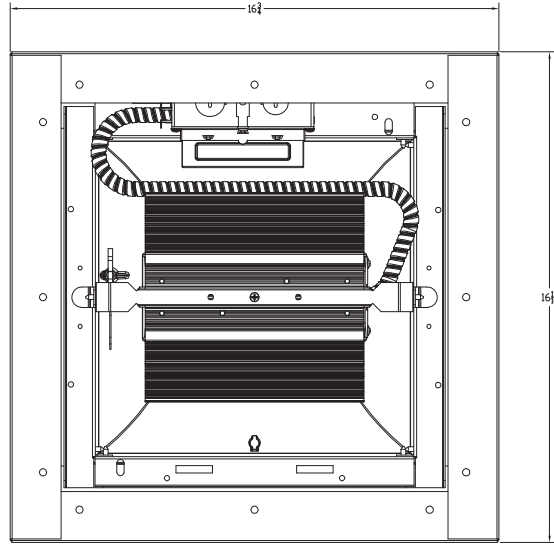
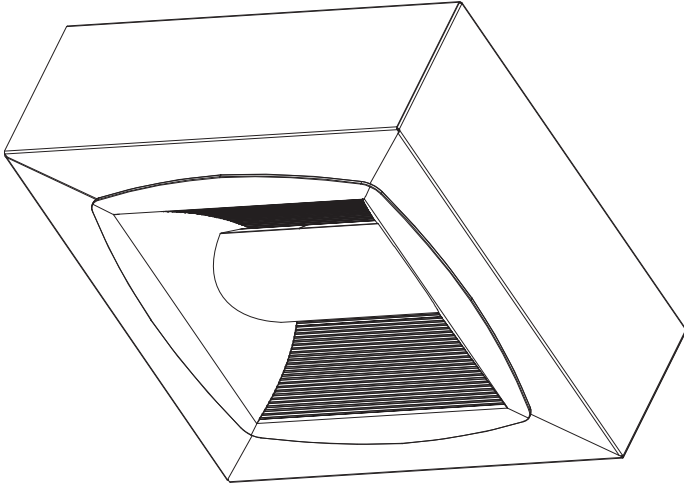
Housing only: RT5D LED 120 HSG U

RT5D LED 277 HSG U

Trim only: RT5D LED 1700L 3500K TRIM U

RT5D LED Volumetric Recessed Downlight

FREEZER SHROUD (shown with fixture installed)



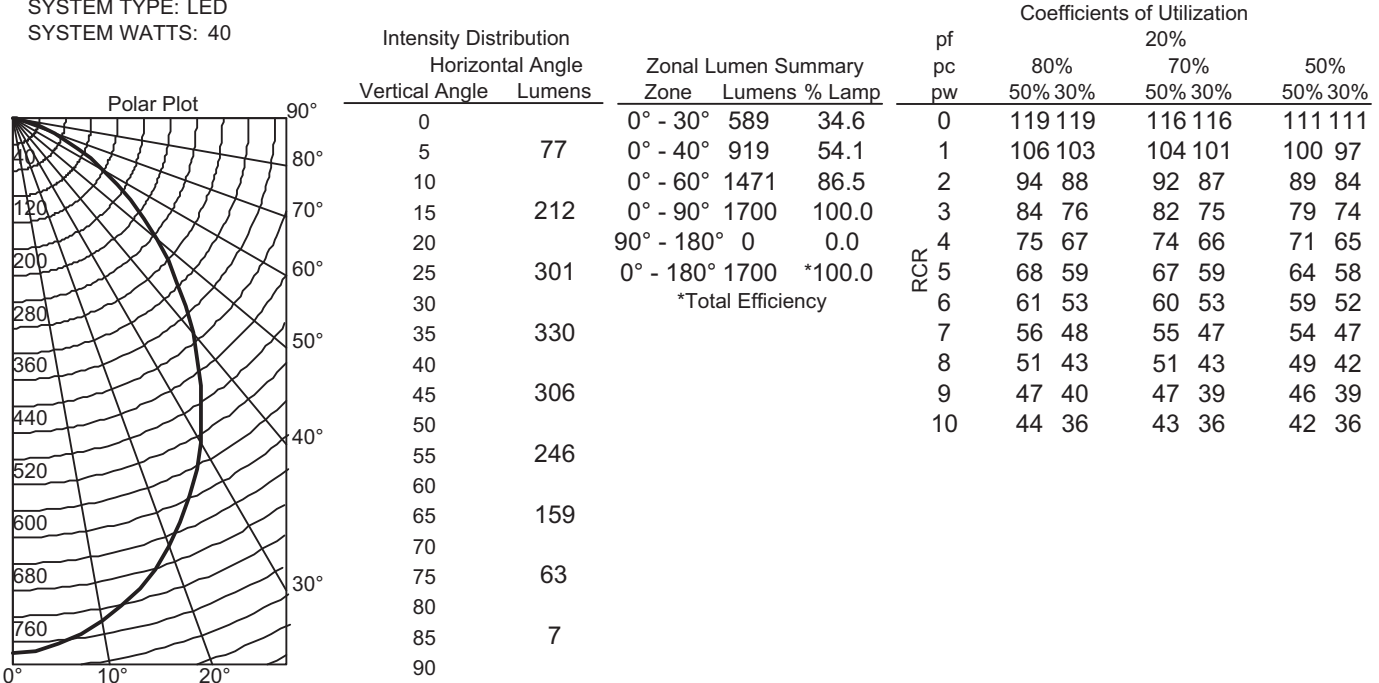
Dimensions

Height: 6 (152)
 Length: 16-13/16 (427)
 Width: 16-3/4 (426)
 All dimensions are inches (millimeters).

PHOTOMETRICS

RT5D LED, 1700 system delivered lumens, test no. LTL16621, tested in accordance to IESNA LM-79-2008

TEST NO: LTL16621
 LUMINAIRE CATALOG NO.: RT5D LED
 TYPICAL LUMENS PER SYSTEM: 1700 AT 25°C
 DISTRIBUTION: DIRECT
 FIXTURE TYPE: DOWNLIGHT
 SYSTEM TYPE: LED
 SYSTEM WATTS: 40



Performance can be affected by ambient temperature and binning processes. Please consult factory for details.



Lithonia Lighting
 Recessed Downlighting and Track
 One Lithonia Way, Conyers, GA 30012
 Phone: 800-315-4935 Fax: 770-918-1209
 www.lithonia.com