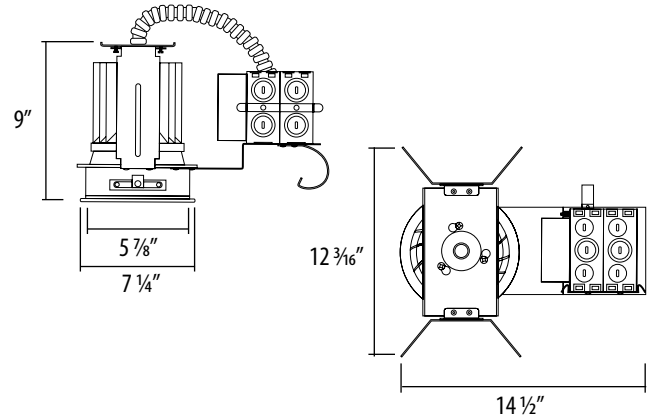


ILS6

6" Architectural Solid State Downlight 18W 1100 Lumen 3000K



Catalog Number	Type
Notes	



Housing Matrix | Example : ILS6110030-LUT-27-EM

Series	Lumens / Color Temperature	Power Supply	Options
A	B	C	D
A Series		C Power Supply	
ILS6	6" Architectural Solid State Downlight	blank -27 -DIM -DIM-27	120V Electronic Driver 277V Electronic Driver 120V 0-10V Dimming 277V 0-10V Dimming
B		D Options	
110030	1100 lm 3000K	-EM -1100 -1200 -1400	Emergency Backup C-Channel Bar Hanger Flat Bar Hanger Wood Joist Bar Hanger

Frame Construction:

Heavy duty galvanized steel frame with a large access junction box. NRTL listed for through wiring. LED light engine and driver are accessible from above or below ceiling.

Mounting Frame:

Universal mounting brackets are installed on all fixtures. C-channels and EMT are the preferred system for T-bar ceilings. Flat bars are ideal for hard ceilings.

LED Light Engine:

1100lm LED Light Engine:
 - Nominal input power = 18W
 - Nominal delivered lighting output = 1100lm
 - 60° beam spread
 - 3000K color temperature 83 CRI
 - LED's mounted to die cast aluminum heat sink
 - 50,000 of average rated life at 70% output
 - Fixture should not be installed in applications with an ambient temperature above 50°C
 Applications with an installation above 50°C will result in reduced lamp life and void warranty
 - LED module is easily upgradable to accommodate future solid state lighting technology

Optical System:

Innovative optical design: a controlled light distribution at a 60° cut off. Meets RP-1 requirements. No LED pixelation is visible. Specification grade reflector 1.5mm thickness. Available in multiple iridescent free architectural finishes. Self flanged trim standard with optional white self flanged.

Electrical System:

- 120V/277V 50/60Hz input
 - 1040 mA constant current output
 - Class 2 power supply
 - Over-voltage, over current and short circuit protection: auto recovery
 - MTBF > 100,000 hours
 - Dimming option allows LED module to dim to 5% 0-10V dimming. Consult factory for compatible dimmers.

Emergency:

When AC power fails, the emergency backup immediately switches to the emergency mode, operating the LEDs at a reduced lumen output for a minimum of 90 minutes. When AC power is restored, the emergency driver automatically returns to the charging mode. The emergency backup can be used with an LED lighting load of up to 3.5 Watts at rated current of 200mA . Remote test switch with junction box included.

- Illumination Time = 90 Minutes
- Dual Input Voltage = 120/277 VAC, 60 Hz
- Test Switch = Single Pole
- Battery = High-Temperature, Maintenance Free, Nickel Cadmium Battery, 7- to 10-Year Life Expectancy
- Recharge Time = 24 Hours
- Charging Indicator Light = LED
- Temperature Rating (Ambient) = 0°C to +50°C (32°F to 122°F)

Listing:

NRTL listed to US and Canadian standards for damp locations. Lensed Reflector is wet location listed. NRTLs recognized by OSHA include CSA, ETL, UL, and others.
 3 Year Warranty

6" Architectural Solid State Reflectors

Catalog Number	Type
Notes	



6" Solid State Reflector

High quality low iridescent reflector.
OD: 7 1/4"

- ILS600C-SF** Clear Reflector / Self Flanged
- ILS600C-SFW** Clear Reflector / Self Flanged White
- ILS600SD-SF** Semi Diffused Reflector / Self Flanged
- ILS600SD-SFW** Semi Diffused Reflector / Self Flanged White
- ILS600W-SF** White Reflector / Self Flanged



6" Solid State Wall Wash Reflector

Innovative optical lens directs light at a 20° angle towards wall achieving uniform and even light distribution. No LED pixilation is visible from below ceiling.
OD: 7 1/4"

- ILS162C-SF** Clear Reflector / Self Flanged
- ILS162C-SFW** Clear Reflector / Self Flanged White



6" Solid State Reflector With Regressed Lens

High quality low iridescent reflector.
Specify Lens Type: -SB: Sand Blasted, -CR: Clear Tempered
OD: 7 1/4"

- ILS602C-SF** Clear Reflector / Self Flanged
- ILS602C-SFW** Clear Reflector / Self Flanged White
- ILS602SD-SF** Semi Diffused Reflector / Self Flanged
- ILS602SD-SFW** Semi Diffused Reflector / Self Flanged White
- ILS602W-SF** White Reflector / Self Flanged