



An Acuity Brands Company

IP65   

3110 LED LOUVER BOLLARD ROUND DOME

DESCRIPTION

The 3110 BOLLARD is a low level area lighting luminaire that combines visual appeal with superior performance and unequalled quality. It is designed to work in building perimeter areas and public spaces completing a wide variety of architectural styles.

Superior performance extends to the detailed finish of the louvers. Matte black finish of top surface provides IES cut off performance while gloss white on bottom extends reflective light to economize on spacing of fixtures. Custom finish available on top louver surface.

The 3110 BOLLARD offers a patented impact resistant mounting and leveling design ensuring life long performance. Four levelling pads within the base mounting plate are easily accessible through the access panel. The levelling pads provide **full** contact with the concrete pad, providing a high degree of stability. The base mounting plate is fully welded to the bollard post, providing complete structural support from all directions, giving the bollard superior vandal resistance.

FEATURES & SPECIFICATIONS

MATERIAL: Copper-free Aluminum, A360.

LED ARRAY: 68 Watt

VOLTAGE: MVOLT 50/60Hz

DISTRIBUTION: **SYM** - Symmetric, **FT** - Forward Throw

LENS: Frosted Borosilicate Glass.

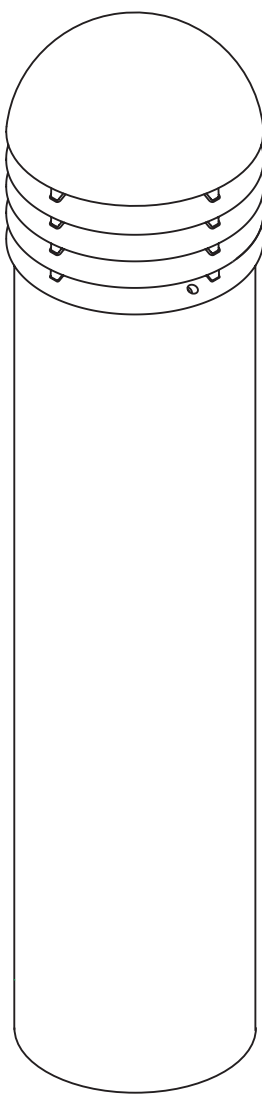
BALLAST: Integrally mounted LED driver with operating temperature of -30° to 60°C.

FASTENERS: Stainless Steel.

FINISH: See ordering guide

LISTINGS: CSA_{US}, CSA

NOTE: HYDREL RESERVES THE RIGHT TO MODIFY SPECIFICATION WITHOUT NOTICE. Any dimension on this sheet is to be assumed as a reference dimension: "Used for information purposes only. It does not govern manufacturing or inspection requirements." (ANSI Y14.5-1973)

TYPE		JOB NAME								
PART NUMBER										
Product	Height	Lamp Type	Voltage	Distribution	Options	Lamp	Finish	List		
				Top		9" Dia.				
				Front		41 1/2"		35 1/2"		
				Side		36" LCL		30" LCL		
APPROVALS				6"		8"				
				8"						

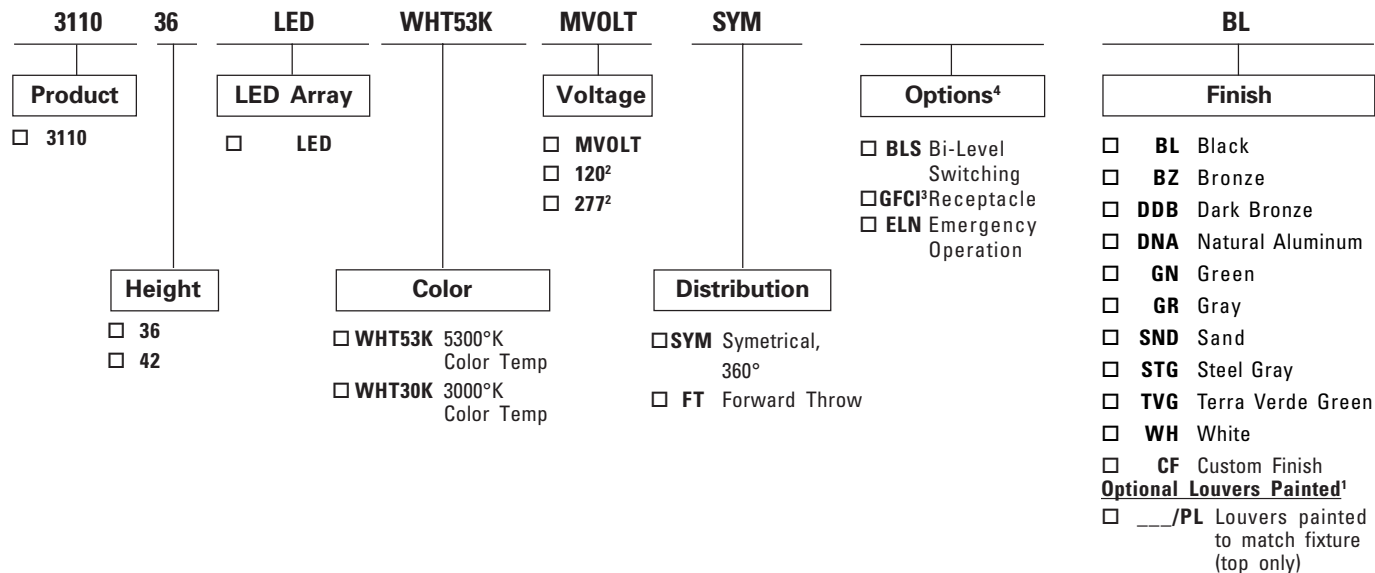
3110 BOLLARD ORDERING INFORMATION

50/60 Hz Application

Choose the boldface catalog nomenclature that best suits your needs.

PART NO.

EXAMPLE:



LIGHT ENGINE SPECIFICATIONS

COLOR	TYPE	COLOR TEMP	QTY / FIXTURE	LUMENS / WATT	INPUT WATTS
WHT53K	Nichia	5300°K	16	80.9	69.2
WHT30K	Nichia	3000°K	16	57.8	69.2

Notes:

- ¹ Louvers will be black unless otherwise specified (top only).
- ² Only valid with ELN or BLS.
- ³ Only valid with 120 Volt.
- ⁴ Options not valid with 50Hz.