

Definity™ A19 LED Lamp



Patented design houses an integrated LED system for optimum lifetime performance. Excellent optics create a uniform beam, delivering lumen output comparable to conventional sources. Free of harmful UV and IR emissions. Available in warm color temperatures with good color quality.

Benefits

- Reduced energy consumption and operating costs by up to 80%.
- Maintenance-free operation.
- Cool beam-No UV or IR, reduces air conditioning loads.
- Unique design with anodized silver housing for cooler operation and extended lamp life.
- Environmentally friendly – fully recyclable, no mercury or other hazardous materials.
- Dimmable***
- Tested to LM-79-08

Features

Equivalent Source	35W Incandescent
Designated Rated Life	50,000 hours-70% lumen depreciation
Housing	Anodized
Socket	E26 Edison base
Operating Temp	-20 °C to +40 °C
MOL	4.39", 112mm
Voltage	120 or 230 VAC
Weight	0.33lbs, 0.15kg, 278gz
Dimensions	115mm (length) 60mm (diameter)
Power Factor	≥90
Warranty	5 year limited
Standards	UL1993, E320663- Pending

Certification



Environment



*See dimmer compatibility chart page 2.

NOTE: All performance and testing done at 25 °C.
U.S. patent pending.

A19 SP003
November 2010



Specifications	19 NW 120	19 W27 120	19 WW 120
Lamp Wattage	35W	35W	35W
Color Rendering Index (CRI)	90	87	87
Lumen Output	410	395	430
Efficacy	51 (lm/w)	49 (lm/w)	54 (lm/w)
Color Temperature	4000K	2700K	3000K
Power Consumption	8W	8W	8W

LSG014



Definity™ A19 LED Lamp

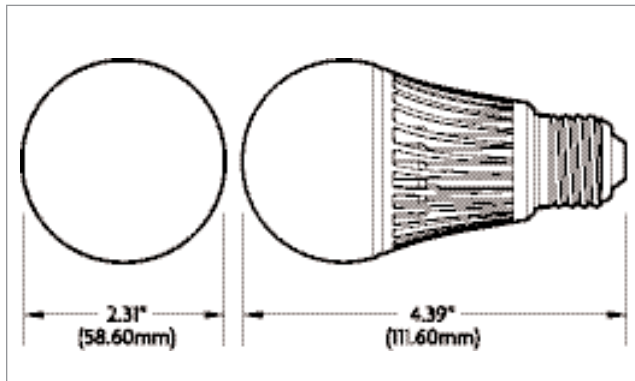
Ordering Information

Example: DFN 19 CW 120

Product	Color Temperature	Voltage
DFN 19 Definity A19	CW Cool White	120 VAC
	NW Neutral White	230 VAC
	W27 Warm White 2700K	
	WW Warm White	

Dimmer Compatibility

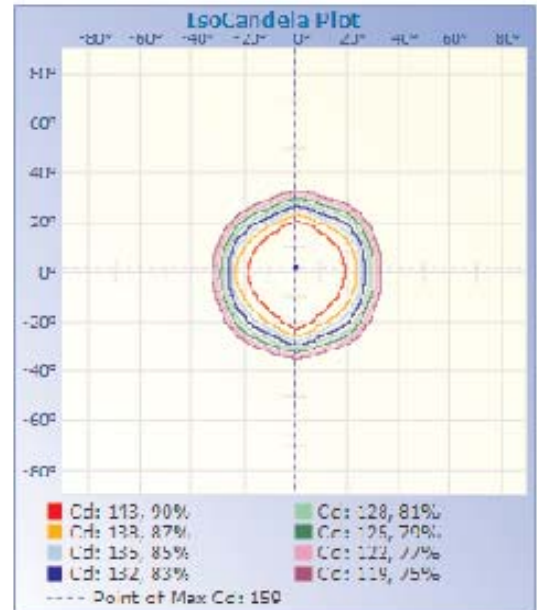
Make	Model
Ace	34050, 3027596
Leviton	6633-PL, 6684, 6631, IPI06-1LX
Lutron	S-600PR-WH, DV-600PR-WH, TG-600PR-WH, AY600P, Q600P, GL600, CN-600PHW, DV-603PG, S-600, S-600P, LG-600P, D-600PH, TT-300NLH, TG-603PG, HW-RPM-4A, PHPM-PA, DV-600, DVLV-600, NLV-600, NTLV-600
Legrand	DrRD4W



Dimensions shown in inches (mm)

Cautions

- Turn power off before inspection, installation, or removal.
- Risk of Electric Shock – Use in Dry Locations Only. Do not use where directly exposed to water or weather.
- Not for use in completely enclosed recessed fixtures.
- Do not open – no user serviceable parts inside.
- Use only on 120 Volt, 60 Hz circuits.
- This device is not intended for use with emergency exit fixtures or emergency exit lights.
- Added weight of the device may cause instability of a freestanding portable Luminaire.
- Use only with a portable table lamp that is provided with a shade.
- Use in portable table lamps in which the distance from the bottom of the base to the top of the Lampholder does not exceed three (3) times the minimum base diameter.
- “This device complies with Part 15 of the FCC rules and has been tested and found to comply with the limits for a Class B digital device. These limits are designed to provide reasonable protection against harmful interference in a residential installation. This equipment generates, uses and can radiate radio frequency energy and, if not installed and used in accordance with the instructions, may cause harmful interference to radio communications. Any changes or modifications not expressly approved by the manufacturer could void the user’s authority to operate the equipment.”



Warm White Illustrated

Lighting Science Group

lighting facts^{CM}

A Program of the U.S. DOE

Light Output (Lumens)	435
Watts	8
Lumens per Watt (Efficacy)	54

Color Accuracy	85
Color Rendering Index (CRI)	

Light Color	3000 (Bright White)
Correlated Color Temperature (CCT)	
Warm White	Bright White
2700K	3000K
	4500K
	6500K

All results are according to IESNA LM-79-2008: *Approved Method for the Electrical and Photometric Testing of Solid-State Lighting*. The U.S. Department of Energy (DOE) verifies product test data and results.

Visit www.lightingfacts.com for the **Label Reference Guide**.

Registration Number: R31N-KGEQY5
Model Number: DFN 19 WW 120
Type: Replacement lamps

LSG014

