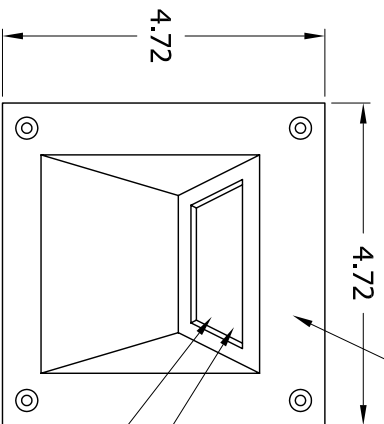
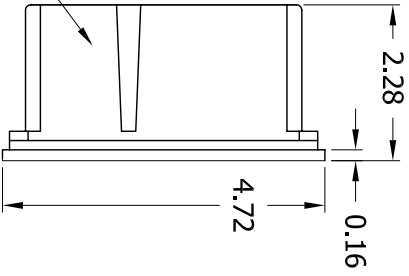


PHOSPHO-CHROMATISED AND POLYESTER POWDERCOATED DIE-CAST ALUMINUM STRUCTURE WITH COATED DIE-CAST ALUMINUM FINISH FRAME (FIVE COLORS AVAILABLE)



2X1W HIGH OUTPUT LED'S COLOR/CT TO BE SPECIFIED
TEMPERED TRANSPARENT GLASS LENS
INTEGRAL DRIVER 120V AC

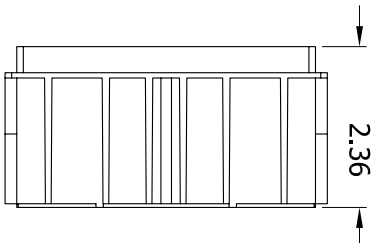
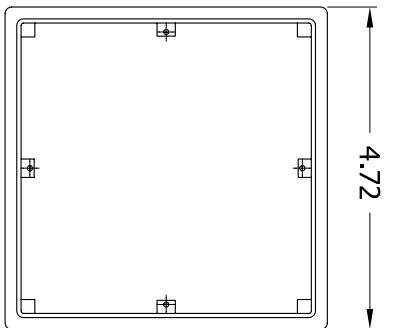


U816800 - 2 CDDL WHITE LED 1x2W
U816400 - 2 WARM WHITE LED 1x2W
U817000 - 2 BLUE LED 1x2W

FIXTURE PART NUMBERS:

- COLORS:
- .1 - WHITE
 - .2 - ALUMINIUM
 - .3 - ANTHRACITE
 - .4 - BLACK
 - .9 - RUST-RED

NOTE: ADD TO END OF FIXTURE NUMBER



INSTALLATION BOX (order separately)

U59 - RECESSED BOX

CSA LISTED



designplan

Title: MINI ALFIA LED

- NOTES:
1. IT IS THE CONTRACTORS RESPONSIBILITY TO SUPPLY AND INSTALL SUITABLE MOUNTING METHOD
 2. FIXTURE IS IP54 RATED.
 3. DRAWING IS SUBJECT TO CHANGE.

THIS PRINT IS THE PROPERTY OF Designplan Lighting AND IS ISSUED UPON EXPRESS CONDITION THAT IT WILL NOT BE USED DIRECTLY, OR INDIRECTLY, IN ANYWAY DETRIMENTAL TO OUR INTERESTS, AND THAT IT WILL NOT BE DISCLOSED TO A THIRD PARTY WITHOUT THE PRIOR WRITTEN CONSENT OF Designplan Lighting

Drawn By:	MRF	Date:	3/15/10
Sheet	OF	Scale:	1:1
Dwg. No.	MINI ALFIA LED	Rev	