

Mainstream™ P-D-L10 & P-D-L20 LED Pendant-Mounted Direct

Product Description
Micro-scaled LED downlight pendants featuring uniform and controlled illumination, optimized thermal management, integral power conversion, and higher efficacy than a similar fluorescent pendant. CSA and/or UL Listed.

Ordering Guide

| Product, Lamping, & Length | | | | | Options | | | | | |
|-----------------------------|--------------------|---|--|--|------------|---|--|---|---|--------------------------|
| P - | D - | L10 | 7 | 8 | VC4 - | 3500K - | CMA - | -- | ECS - | 120 |
| Mounting | Distribution | Series | Nominal Input Power (W/ft) | Nominal Length (ft) | Diffuser | Color Temperature | Finish | Control | End caps | Volts |
| P Pendant-Mounted | D Direct | L10 L20 see Series | 3 7 see Input Power | 2 4 6 8 10 12 | VC4 | C3000K C3500K C4000K see Color Temperature | CMA CWM see <i>LiteColors™</i> in Product Guide for other finishes | -- D10 D120 see Control Options | EC ECS see End Cap Options | 120 277 |

P-D-L1078-VC4-3500K-CMA-ECS-120-FAI/ACC is a typical catalog number for an 8-foot long LED fixture with VC4 lens, Machined Aluminum finish, Medium White Light and Sculpted End Cap, 120 volts, mounted with field adjustable aircraft cables.

Series

- L10** LED pendant with 12 LEDs per foot. The LED and optical assembly, including the heat-sink housing and high-reflectance white reflector, provide for good efficiency and lens uniformity. With the L10 fixture, individual LEDs can be differentiated, but they are not distinct and the overall appearance of the lens is diffuse and uniform.
- L20** LED pendant with 24 LEDs per foot. The LED and optical assembly, including the heat-sink housing and high-reflectance white reflector, provide for excellent efficiency and lens uniformity. With the L20 fixture, individual LEDs are not visible through the highly diffuse and uniform lens.

Nominal Input Power (W/ft)

The value shown is the nominal Watts per foot. The actual value will fall in the ranges specified below for each option.

- 3** 3 Watts per foot nominal, with actual values ranging between 3.0 and 3.5 W/foot. Rated light output is 850 lumens for a four foot fixture rated at 13 Watts.
- 7** 7 Watts per foot nominal, with actual values ranging between 6.5 and 7.0 W/foot. Rated light output is 1770 lumens for a four foot fixture rated at 28 Watts.

Questions to Ask

1. LEDs per foot (L10 or L20)
2. Input power?
3. Desired fixture lengths?
4. Color temperature?
5. Finish?
6. Control option?
7. End cap style?
8. 120 or 277 volt?

Color Temperature

- C3000K** Warm white light with a Correlated Color Temperature (CCT) of 3000K and a CRI \geq 80. The rated CCT is for the output light from the fixture and results from the combination of the Cree LED color and the fixture optics. The 3000K CCT is suitable for spaces with warm color tone finishes.
- C3500K** Medium white light with a Correlated Color Temperature (CCT) of 3500K and a CRI \geq 80. The rated CCT is for the output light from the fixture and results from the combination of the Cree LED color and the fixture optics. The 3500K CCT is suitable for spaces with warm to neutral color tone finishes.
- C4000K** Cool white light with a Correlated Color Temperature (CCT) of 4000K and a CRI \geq 80. The rated CCT is for the output light from the fixture and results from the combination of the Cree LED color and the fixture optics. The 4000K CCT is suitable for spaces with cool color tone finishes.

Finish Options

- CMA** Color, Machined Aluminum. Specially formulated powdercoat paint that reliably and uniformly mimics the appearance of machined/sandblasted aluminum.
- CWM** Color, White, Matte. Litecontrol standard matte white powdercoat paint. See Litecolors in Product Guide for other finishes

Control Options

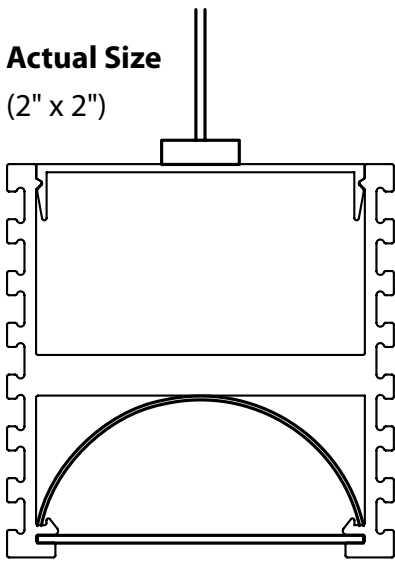
Standard product includes an internal power supply/driver.

- D10** 0-10V analog dimming control. Product includes an internal power supply and a driver with 0-10V dimming interface. See list of qualified 0-10V dimmers and contact Litecontrol for additional photometric and control information.
- D120** 120V AC analog dimming control. Product enables the use of a qualified Electronic Low Voltage wall-box dimmer, connected to the normal input wires, to dim the Luminaire. See list of qualified Electronic Low Voltage dimmers and contact Litecontrol for additional photometric and control information.

End Cap Options

- EC** Flat End Cap. Die-cast aluminum end cap that reinforces the side profile of the product. No exposed fasteners.
- ECS** Sculpted End Cap. Die-cast aluminum sculpted end cap with no exposed fasteners. See next page for illustration.

Actual Size
(2" x 2")



Mainstream P-D-L10 & P-D-L20

Light Output & Efficacy

| Series | CCT (K) | Volt (V) | Nominal W/ft | Power (W) | Light Ouput (Lumens) | Efficacy (LPW) |
|---|---------|----------|--------------|-----------|----------------------|----------------|
| L10 | 4000 | 120 | 3 | 13 | 850 | 65 |
| L10 | 4000 | 120 | 7 | 28 | 1770 | 63 |
| L20 | 4000 | 120 | 3 | 13 | 850 | 65 |
| L20 | 4000 | 120 | 7 | 28 | 1770 | 63 |
| Comparable fluorescent luminaire with T8 or T5HO lamping | | | | | | |
| T8 | -- | -- | -- | 34 | 1690 | 50 |
| T5HO | -- | -- | -- | 64 | 2650 | 41 |

Data from an LM-79 compliant photometric report completed by an independent laboratory. See the related Lighting Facts labels on the next page.

Specifications

HOUSING. One-piece extruded aluminum platform optimized for thermal spreading and extraction. Standard finishes include Machined Aluminum Paint (CMA) or Matte White (CWM).

LENS. VCOptic lens (VC4) with 2-piece construction. Internal microstructure optical film coupled with an enhanced optical shaping lens, for maximum lamp obscuration and transmittance with high angle brightness control.

END CAPS. Provided installed on both ends of every fixture. Finish matches housing.

REFLECTOR. Internal high-reflectance white reflector for improved efficiency and lens uniformity.

LAMPING. LED sources at with 12/foot (L10 series) or 24/foot (L20 series).

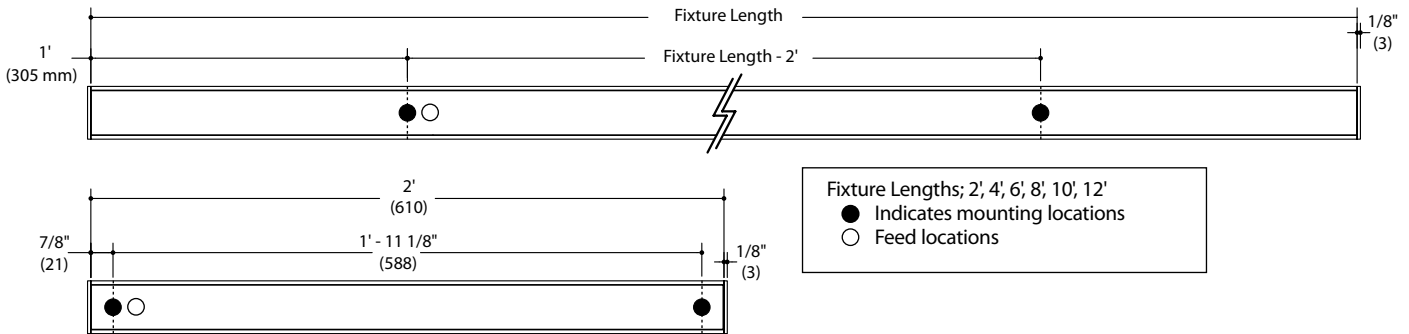
SUSPENSION. Aircraft cables and feed cords factory attached to the fixture housing. FAI/ACC field adjustable 51" is standard. See online Aircraft Cables and Stems sheet in Service Center > Downloads at litecontrol.com for details.

CERTIFICATION. Fixture and electrical components shall be CSA, UL and/or CUL Listed.

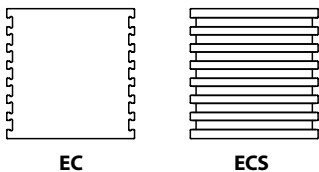
Note: Litecontrol reserves the right to change specifications without notice for product development and improvement.

Planning for installation

Individual fixture mounting



End Cap Options



LITECONTROL

employee owned | customer driven

100 Hawks Avenue Hanson, MA 02341
781 294 0100 f: 781 293 2849 litecontrol.com

lighting facts
LED Product Partner

Litecontrol Mainstream

lighting facts^{CM}
A Program of the U.S. DOE

| | |
|-----------------------------------|------------|
| Light Output (Lumens) | 850 |
| Watts | 13 |
| Lumens per Watt (Efficacy) | 65 |

Color Accuracy
Color Rendering Index (CRI) **78**

Light Color
Correlated Color Temperature (CCT) **4000 (Bright White)**

2700K 3000K 4500K 6500K

All results are according to IESNA LM-79-2008: *Approved Method for the Electrical and Photometric Testing of Solid-State Lighting*. The U.S. Department of Energy (DOE) verifies product test data and results.

Visit www.lightingfacts.com for the *Label Reference Guide*.

Registration Number: 56A7-WQ2DXB
Model Number: P-D-L1034-VC4-C4000K
Type: Surface-mounted downlight

Litecontrol Mainstream

lighting facts^{CM}
A Program of the U.S. DOE

| | |
|-----------------------------------|-------------|
| Light Output (Lumens) | 1770 |
| Watts | 28 |
| Lumens per Watt (Efficacy) | 63 |

Color Accuracy
Color Rendering Index (CRI) **78**

Light Color
Correlated Color Temperature (CCT) **4000 (Bright White)**

2700K 3000K 4500K 6500K

All results are according to IESNA LM-79-2008: *Approved Method for the Electrical and Photometric Testing of Solid-State Lighting*. The U.S. Department of Energy (DOE) verifies product test data and results.

Visit www.lightingfacts.com for the *Label Reference Guide*.

Registration Number: 56A7-PK4C2K
Model Number: P-D-L1074-VC4-C4000K
Type: Surface-mounted downlight

Litecontrol Mainstream

lighting facts^{CM}
A Program of the U.S. DOE

| | |
|-----------------------------------|------------|
| Light Output (Lumens) | 850 |
| Watts | 13 |
| Lumens per Watt (Efficacy) | 65 |

Color Accuracy
Color Rendering Index (CRI) **78**

Light Color
Correlated Color Temperature (CCT) **4000 (Bright White)**

2700K 3000K 4500K 6500K

All results are according to IESNA LM-79-2008: *Approved Method for the Electrical and Photometric Testing of Solid-State Lighting*. The U.S. Department of Energy (DOE) verifies product test data and results.

Visit www.lightingfacts.com for the *Label Reference Guide*.

Registration Number: 56A7-8ML88Z
Model Number: P-D-L2034-VC4-C4000K
Type: Surface-mounted downlight

Litecontrol Mainstream

lighting facts^{CM}
A Program of the U.S. DOE

| | |
|-----------------------------------|-------------|
| Light Output (Lumens) | 1770 |
| Watts | 28 |
| Lumens per Watt (Efficacy) | 63 |

Color Accuracy
Color Rendering Index (CRI) **78**

Light Color
Correlated Color Temperature (CCT) **4000 (Bright White)**

2700K 3000K 4500K 6500K

All results are according to IESNA LM-79-2008: *Approved Method for the Electrical and Photometric Testing of Solid-State Lighting*. The U.S. Department of Energy (DOE) verifies product test data and results.

Visit www.lightingfacts.com for the *Label Reference Guide*.

Registration Number: 56A7-B2DE57
Model Number: P-D-L2074-VC4-C4000K
Type: Surface-mounted downlight