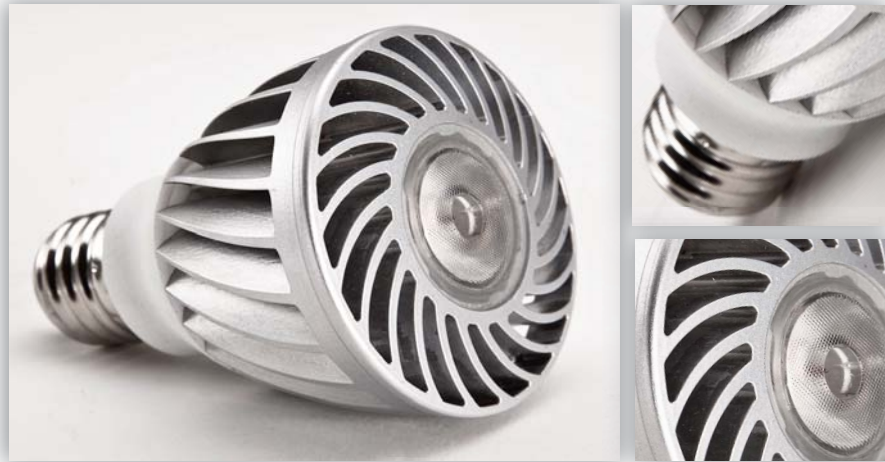


Definity™ PAR30 LED Long Neck Lamp



Features

Equivalent Source	75W Halogen
L70 lumen depreciation design criteria =	50,000 hours
Early Submission ENERGY STAR Life =	25,000 hours**
Housing	Anodized
Socket	E26 Edison base
Beam Spread	
Spot, Narrow Flood, Flood	15°, 25°, 40°
Operating Temp	-20°C to +40°C
MOL	4.57", 116mm
Voltage	120 or 230 VAC
Weight	.099 lbs., 0.45 kg
Power Factor	≥.70
Warranty	5 year limited
Standards	UL1993, E320663-Pending

Certification



Environment



**For directional lamps, Energy Star early submission dictates that manufacturers can only claim 25,000 hour life with 3000 hour actual life test data, 6,000 hour LM80 data and in-situ temperature measurements. Once a product has been fully qualified, manufacturers may increase the lifetime of a product by demonstrating full compliance with the ENERGY STAR criteria at the new lifetime with Lumen Maintenance at the minimum required test period.

***See dimmer compatibility chart page 2.
NOTE: All performance and testing done at 25°C.
U.S. patent pending.
Currently, ENERGY STAR is available in PAR 30 neutral white narrow flood.

PAR30 SP003
November 2010

Patented design houses an integrated LED system for optimum lifetime performance. Excellent optics create a uniform beam, delivering lumen output comparable to conventional sources. Free of harmful UV and IR emissions. Available in 15°, 25° and 40° beam distribution, in various color temperatures with good color quality.

Benefits

- Reduced energy consumption and operating costs by up to 80%.
- Maintenance free operation - lasts up to 25 times longer than conventional lighting.
- Cool beam- No UV or IR, reduces air conditioning loads.
- Unique design with anodized silver housing for cooler operation and extended lamp life.
- Environmentally friendly – fully recyclable, no mercury or other hazardous materials.
- Dimmable***
- Tested to LM-79-08



Specifications	30 NW SP 120	30 NW FL 120	30 NW NFL 120	30 W27 SP 120	30 W27 FL 120	30 W27 NFL 120	30 WW SP 120	30 WW FL 120	30 WW NFL 120
Lamp Wattage	70W	75W	75W	65W	65W	70W	60W	70W	75W
Color Rendering Index (CRI)	87	87	87	85	84	85	87	87	88
Lumen Output	800	800	800	710	660	720	740	735	730
Efficacy	53 (lm/w)	53 (lm/w)	53 (lm/w)	47 (lm/w)	44 (lm/w)	48 (lm/w)	49 (lm/w)	49 (lm/w)	49 (lm/w)
Color Temperature	4000K	4000K	4000K	2700K	2700K	2700K	3000K	3000K	3000K
Power Consumption	15W	15W	15W	15W	15W	15W	15W	15W	15W
CBCP	6114	1476	3216	5203	1175	2932	4509	1295	3056

LSG012



Definity™ PAR30 LED Long Neck Lamp

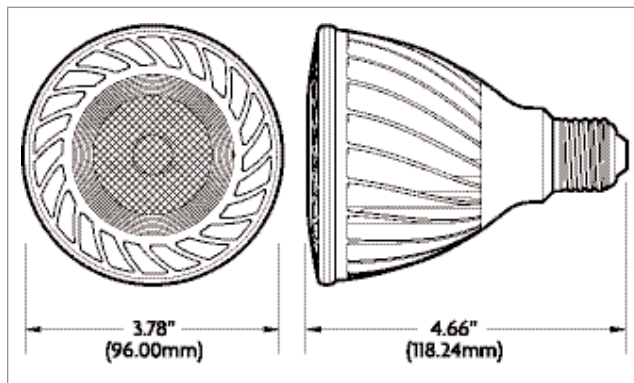
Ordering Information

Example: DFN 30 WW NFL 120

Product	Color Temperature	Optical Distribution	Voltage
DFN 30 Definity Par 30	CW Cool White	FL Flood	120 VAC
	NW Neutral White	NFL Narrow Flood	230 VAC
	W27 Warm White 2700K	SP Spot	
	WW Warm White		

Dimmer Compatibility

Make	Model
Ace	34050, 3027596
Leviton	6633-PL, 6684, 6631, IPI06-1LX
Lutron	S-600PR-WH, DV-600PR-WH, TG-600PR-WH, AY600P Q600P, GL600, CN-600PHW, DV-603PG, S-600, S-600P LG-600P, D-600PH, TT-300NLH, TG-603PG, HW-RPM-4A PPHM-PA, DV-600, DVLV-600, NLV-600, NTLV-600
Legrand	DrRD4W

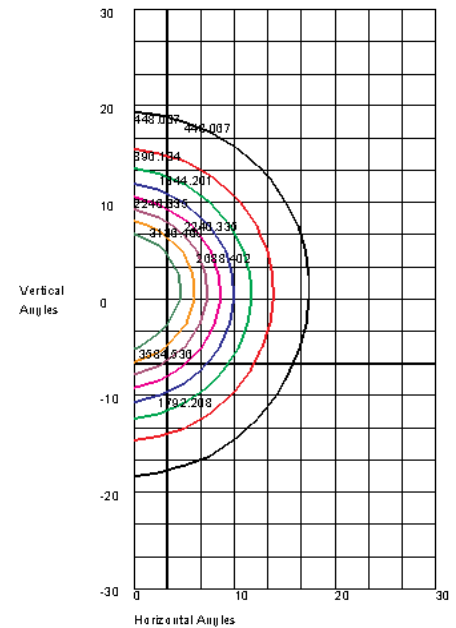


Dimensions shown in inches (mm)

Cautions

- Turn power off before inspection, installation, or removal.
- Risk of Electric Shock – Do not use where directly exposed to water or weather.
- Not for use in completely enclosed fixtures.
- Suitable for Damp Locations – The lamp is suitable for use in wet locations when used in an outdoor rated fixture.
- Do not open – no user serviceable parts inside.
- Use only on 120 Volt, 60 Hz circuits.
- This device is not intended for use with emergency exit fixtures or emergency exit lights.
- Added weight of the device may cause instability of a free-standing portable Luminaire.
- Use only with a portable table lamp that is provided with a shade.
- Use in portable table lamps in which the distance from the bottom of the base to the top of the Lampholder does not exceed three (3) times the minimum base diameter.
- "This device complies with Part 15 of the FCC rules and has been tested and found to comply with the limits for a Class B digital device. These limits are designed to provide reasonable protection against harmful interference in a residential installation. This equipment generates, uses and can radiate radio frequency energy and, if not installed and used in accordance with the instructions, may cause harmful interference to radio communications. Any changes or modifications not expressly approved by the manufacturer could void the user's authority to operate the equipment."

IES FLOOD REPORT
PHOTOMETRIC FILENAME : 30014319-2 DFN-30-WW-SP-120 (A).IES
ISOCANDELA CURVES



Maximum Candela = 4480.07 Located At Horizontal Angle = -1, Vertical Angle = 1
50% Maximum Candela = 2240.335
10% Maximum Candela = 448.067

Warm White Illustrated

Lighting Science Group

lighting facts™

A Program of the U.S. DOL

Light Output (Lumens) **725**

Watts **15**

Lumens per Watt (Efficacy) **48**

Color Accuracy **87**

Color Rendering Index (CRI)

Light Color **3000 (Bright White)**

Correlated Color Temperature (CCT)

2700K 3000K 4500K 6500K

All metrics are according to IESNA LM-79 2008, Approved Method for the Electrical and Photometric Testing of Solid-State Lighting. The U.S. Department of Energy (DOE) verifies product test data and results.

Visit www.lightingfacts.com for the Label Reference Guide.

Registration Number: 1131M-81L813
Model Number: DFN-30 WW FL 120
Type: Replacement Lamp

