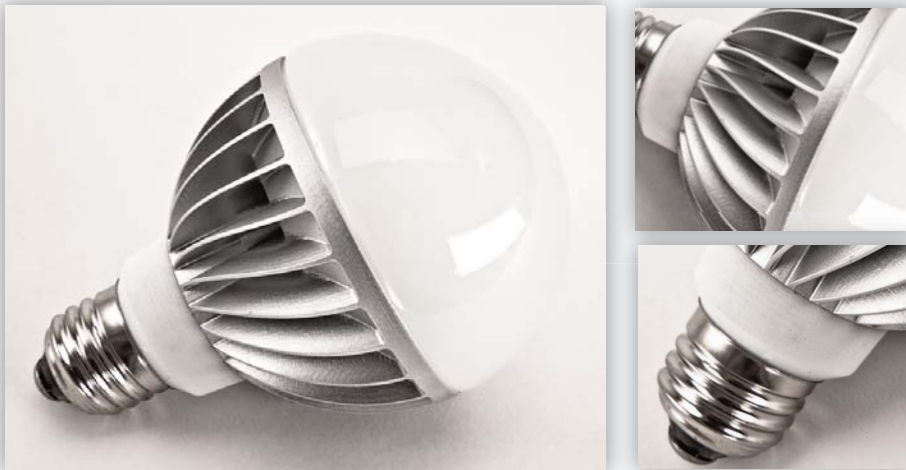


Definity™ G25 LED Lamp



Patented design houses an integrated LED system for optimum lifetime performance. Excellent optics create a uniform beam, delivering lumen output comparable to conventional sources. Free of harmful UV and IR emissions. Available in warm color temperatures with good color quality.

Benefits

- Reduced energy consumption and operating costs by up to 80%.
- Maintenance free operation - lasts up to 25 times longer than conventional lighting.
- Cool beam- No UV or IR, reduces air conditioning loads.
- Unique design with anodized silver housing for cooler operation and extended lamp life.
- Environmentally friendly – fully recyclable, no mercury or other hazardous materials.
- Dimmable***
- Tested to LM-79-08



Features

Equivalent Source	50W Incandescent
L70 lumen depreciation design criteria =	50,000 hours
Early Submission ENERGY STAR Life =	25,000 hours**
Housing	Anodized
Socket	E26 Edison base
Operating Temp	-40 °C to +40 °C
MOL	4.72", 120mm
Voltage	120 or 230 VAC
Weight	0.33lbs, 0.15kg
Power Factor	≥90
Warranty	5 year limited
Standards	UL1993, File: E320663
Certification	



Environment



**For directional lamps, Energy Star early submission dictates that manufacturers can only claim 25,000 hour life with 3000 hour actual life test data, 6,000 hour LM80 data and in-situ temperature measurements. Once a product has been fully qualified, manufacturers may increase the lifetime of a product by demonstrating full compliance with the ENERGY STAR criteria at the new lifetime with Lumen Maintenance at the minimum required test period.

***See dimmer compatibility chart page 2.
NOTE: All performance and testing done at 25 °C.
U.S. patent pending.
Currently, ENERGY STAR is available in G25 warm white.
PAR38 SP003
November 2010

Specifications	25 NW 120	25 W27 120	25 WW 120
Lamp Wattage	50W	50W	50W
Color Rendering Index (CRI)	90	87	85
Lumen Output	440	410	450
Efficacy	55 (lm/w)	51 (lm/w)	56 (lm/w)
Color Temperature	4000K	2700K	3000K
Power Consumption	8W	8W	8W
			LSG010



Definity™ G25 LED Lamp

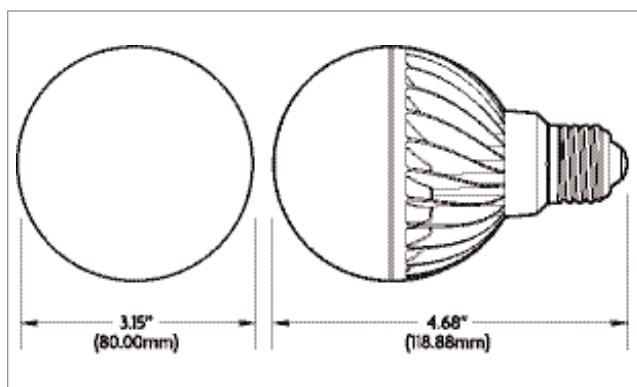
Ordering Information

Example: DFN 25 CW 120

Product	Color Temperature	Voltage
DFN 25 Definity G25	CW Cool White	120 VAC
	NW Neutral White	230 VAC
	W27 Warm White 2700K	
	WW Warm White	

Dimmer Compatibility

Make	Model
Ace	34050, 3027596
Leviton	6633-PL, 6684, 6631, IPI06-1LX
Lutron	S-600PR-WH, DV-600PR-WH, TG-600PR-WH, AY600P, Q600P, GL600, CN-600PHW, DV-603PG, S-600, S-600P, LG-600P, D-600PH, TT-300NLH, TG-603PG
Legrand	DrRD4W



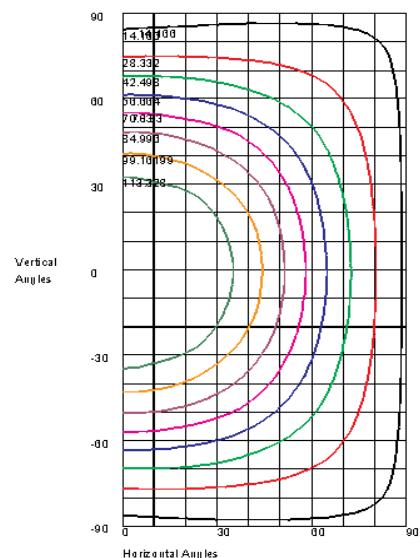
Dimensions shown in inches (mm)

Cautions

- Turn power off before inspection, installation, or removal.
- Risk of Electric Shock. Do not use where directly exposed to water or weather.
- Suitable for indoor-dry and damp locations only.
- Not for use in completely enclosed recessed fixtures.
- Do not open – no user serviceable parts inside.
- Use only on 120 Volt, 60 Hz circuits.
- This device is not intended for use with emergency exit fixtures or emergency exit lights.
- Added weight of the device may cause instability of a freestanding portable Luminaire.
- Use only with a portable table lamp that is provided with a shade.
- Use in portable table lamps in which the distance from the bottom of the base to the top of the Lampholder does not exceed three (3) times the minimum base diameter.
- "This device complies with Part 15 of the FCC rules and has been tested and found to comply with the limits for a Class B digital device. These limits are designed to provide reasonable protection against harmful interference in a residential installation. This equipment generates, uses and can radiate radio frequency energy and, if not installed and used in accordance with the instructions, may cause harmful interference to radio communications. Any changes or modifications not expressly approved by the manufacturer could void the user's authority to operate the equipment."

IES FLOOD REPORT
PHOTOMETRIC FILENAME : 30013883-14 DFN-25-WW-120.IES

ISOCANDELA CURVES



Maximum Candela = 141.03 Located At Horizontal Angle = 0, Vertical Angle = -3
50% Maximum Candela = 70.53
10% Maximum Candela = 14.103

Warm White Illustrated

Lighting Science Group

lighting facts^{CM}

A Program of the U.S. DOE

Light Output (Lumens)	450
Watts	8
Lumens per Watt (Efficacy)	56
Color Accuracy	
Color Rendering Index (CRI)	85
Light Color	
Correlated Color Temperature (CCT)	3000 (Bright White)
2700K	3000K
4500K	6500K

All results are according to IESNA LM-79-2008: Approved Method for the Electrical and Photometric Testing of Solid-State Lighting. The U.S. Department of Energy (DOE) verifies product test data and results.

Visit www.lightingfacts.com for the Label Reference Guide.

Registration Number: R31N-CBTKPX
Model Number: DFN 25 WW 120
Type: Replacement lamps

