

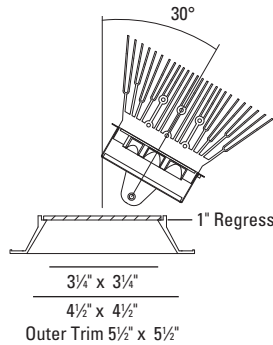


# BeveLED® LED

## Adjustable 30°

2009 Next Generation  
Luminaire Recognized  
Winner

# 3130



### LUMINAIRE INFORMATION

#### APPLICATION:

Accent luminaire for Residential, Commercial, Retail or Hospitality environments.

#### MATERIALS:

**Trim:** Die cast aluminum retained by two mounting clips.  
**Housing:** All-Ways Square™ powder coated black housing allows alignment of square aperture (up to 20° rotation) after housing installation and prior to finish ceiling installation. Patent pending. 16 ga. galvanized steel thru wire J-box, 4 in 4 out at min. 75°C, #12 AGW thru branch circuit wiring.  
 Housing and trim supplied as one complete unit.  
**Optics:** Interchangeable proprietary 10° or 30° high efficiency molded lens.

#### LIGHT ENGINE: Field Replaceable

Available in 10W or 20W, 3000K ±100K, 80+ CRI. High power warm white LED's tightly binned for fixture to fixture color consistency.

#### RATED LIFE:

L70 @ 50,000 hours.

#### HEATSINK:

Proprietary high performance extruded aluminum heatsink for maximum LED life.

#### DRIVER:

Solid state electronic. Constant current. High power factor. Specify 120V or 277V.

#### ADJUSTMENT:

360° horizontal locking, 30° vertical locking.

#### ACCESSORY HOLDER:

Snap in aluminum with solite lens, (2) lens max.

#### MOUNTING:

Butterfly brackets and adjustable nailer bars with integral nails provided. Nailer bars are extendible from 14" to 24" centers.

#### CEILING CUT OUT:

5" x 5"

#### LISTINGS:

Dry/Damp.

\*Wet under covered ceiling is optionally available (not standard).



IBEW union made.

#### NOTES:

- Housing included with trim.
- Maximum ceiling thickness 1 inch. Consult factory for other ceiling conditions.
- Fixture should be installed in applications where ambient temperatures do not exceed 40°C during normal operation.
- **5 year warranty**

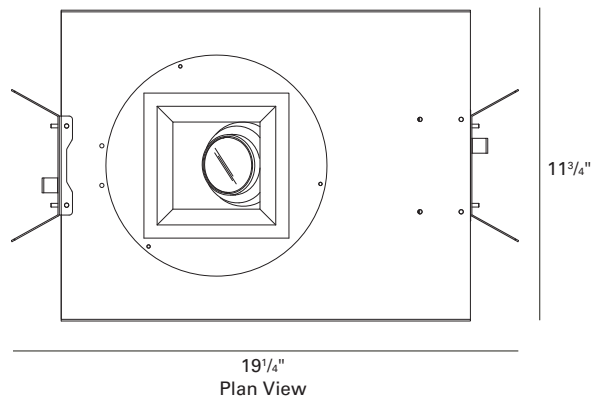
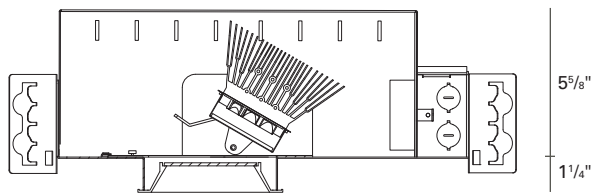
#### PHOTOMETRICS:

Consult factory.

### HOUSING INFORMATION

#### New Construction

10° Beam Angle:	<b>LSTA4-8310C1-10-NC</b> (10W)
	<b>LSTA4-8320C1-10-NC</b> (20W)
30° Beam Angle:	<b>LSTA4-8310C1-30-NC</b> (10W)
	<b>LSTA4-8320C1-30-NC</b> (20W)



### ORDERING INFORMATION

Trim	– Finish	– Housing	– Beam Angle	– Housing Type	– Voltage	– Accessories
<b>3130</b>	<b>10</b> - White	<b>LSTA4-8310C1</b> - 10W LED	<b>10</b> - 10° Beam Angle	<b>NC</b> - New	<b>120V</b>	<b>W</b> - Wet Listed (under covered ceiling)
BeveLED Trim	<b>21</b> - Black	<b>LSTA4-8320C1</b> - 20W LED	<b>30</b> - 30° Beam Angle	Construction	<b>277V</b>	<b>CB27</b> - 27" C-Channel Bars
30° Adjustable,	<b>28</b> - Metalized					<b>CB52</b> - 52" C-Channel Bars
Warm White	Grey					<b>DIML1</b> - Lutron Hi-Lume/ECO SYS Dimming Driver
LED's						<b>DIML2</b> - 0-10V Low Voltage Dimming Module
						<b>EML</b> - Emergency lighting battery pack w/ remote test switch
						<b>SLA10</b> - 10° Lens
						<b>SLA30</b> - 30° Lens

How to Specify	<b>3130</b>	–	–	–	– <b>NC</b>	–	–
	Trim	– Finish	– Housing	– Beam Angle	– Housing Type	– Voltage	– Accessories



USA Illumination™  
www.usaillumination.com  
info@usaillumination.com

1126 River Road  
New Windsor, NY 12553

T 845-565-8500  
F 845-561-1130

©2010. USAI, LLC.  
All rights reserved.  
All designs protected by copyright.  
Rev. 2/17/10

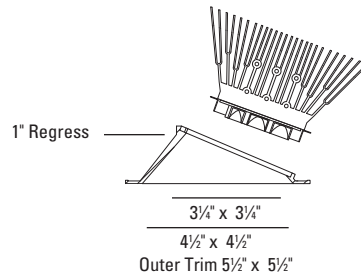


# BeveLED® LED

## Wall Wash



# 3150



### LUMINAIRE INFORMATION

#### APPLICATION:

Accent luminaire for Residential, Commercial, Retail or Hospitality environments.

#### MATERIALS:

**Trim:** Die cast aluminum retained by two mounting clips.

**Housing:** All-Ways Square™ powder coated black housing allows alignment of square aperture (up to 20° rotation) after housing installation and prior to finish ceiling installation. Patent pending. 16 ga. galvanized steel thru wire J-box, 4 in 4 out at min. 75°C, #12 AGW thru branch circuit wiring.

Housing and trim supplied as one complete unit.

**Trim Lens:** Proprietary molded wall wash lens.

#### LIGHT ENGINE: Field Replaceable

Available in 10W or 20W, 3000K ±100K, 80+ CRI. High power warm white LED's tightly binned for fixture to fixture color consistency.

#### RATED LIFE:

L70 @ 50,000 hours.

#### HEATSINK:

Proprietary high performance extruded aluminum heatsink for maximum LED life.

#### DRIVER:

Solid state electronic. Constant current. High power factor. Specify 120V or 277V.

#### ADJUSTMENT:

90° increments horizontal locking.

#### MOUNTING:

Butterfly brackets and adjustable nailer bars with integral nails provided. Nailer bars are extendible from 14" to 24" centers.

#### CEILING CUT OUT:

5" x 5"

#### LISTINGS:

Dry/Damp.

\*Wet under covered ceiling is optionally available (not standard).



IBEW union made.

#### NOTES:

- Housing included with trim.
- Maximum ceiling thickness 1 inch. Consult factory for other ceiling conditions.
- Fixture should be installed in applications where ambient temperatures do not exceed 40°C during normal operation.
- **5 year warranty**

#### PHOTOMETRICS:

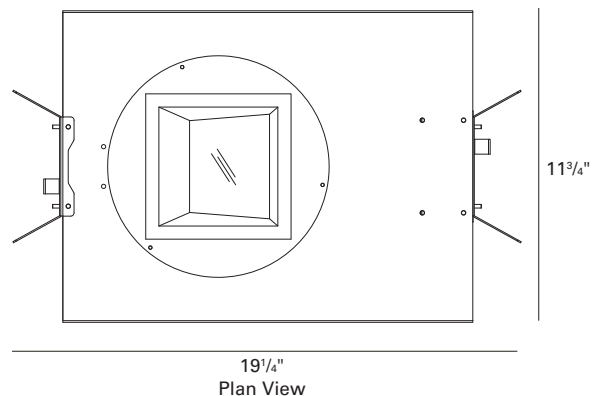
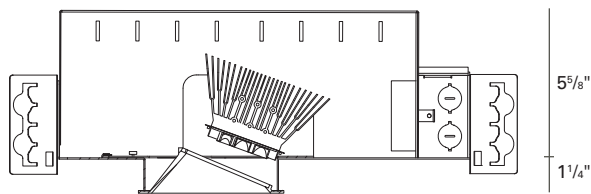
Consult factory.

### HOUSING INFORMATION

New Construction

**LSTW4-6010C1-NC** - 10W LED

**LSTW4-6020C1-NC** - 20W LED



### ORDERING INFORMATION

Trim	– Finish	– Housing	– Housing Type	– Voltage	– Accessories
<b>3150</b>	<b>10</b> - White	<b>LSTW4-6010C1</b> - 10W LED	<b>NC</b> - New Construction	<b>120V</b>	<b>W</b> - Wet Listed (under covered ceiling)
BeveLED Trim	<b>21</b> - Black	<b>LSTW4-6020C1</b> - 20W LED		<b>277V</b>	<b>CB27</b> - 27" C-Channel Bars
Wall Wash,	<b>28</b> - Metalized				<b>CB52</b> - 52" C-Channel Bars
Warm White	Grey				<b>DIML1</b> - Lutron Hi-Lume/ECO SYS Dimming Driver
LED's					<b>DIML2</b> - 0-10V Low Voltage Dimming Module
					<b>EML</b> - Emergency lighting battery pack w/ remote test switch

How to Specify

**3150** – \_\_\_\_\_ – \_\_\_\_\_ – **NC** – \_\_\_\_\_ – \_\_\_\_\_  
 Trim – Finish – Housing – Housing Type – Voltage – Accessories



USA Illumination™  
 www.usaillumination.com  
 info@usaillumination.com

1126 River Road  
 New Windsor, NY 12553

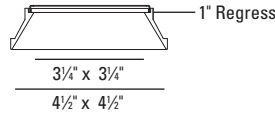
T 845-565-8500  
 F 845-561-1130

©2010. USAI, LLC.  
 All rights reserved.  
 All designs protected by copyright.  
 Rev. 2/17/10

# BeveLED<sup>®</sup> LED Trimless

# 3310

## Downlight



### LUMINAIRE INFORMATION

#### APPLICATION:

Accent luminaire for Residential, Commercial, Retail or Hospitality environments.

#### MATERIALS:

**Trim:** Die cast aluminum retained by two mounting clips.

**Housing:** All-Ways Square™ housing allows alignment of square aperture (up to 20° rotation) after housing installation and prior to finish ceiling installation. Patent pending. Fabricated of 20 ga. galvanized steel with thru wire J-box, 4 in 4 out at min. 90°C, #12 AGW thru branch circuit wiring.

Housing and trim supplied as one complete unit.

**Trim Lens:** Dual proprietary low glare blended optical lens system.

**Reflector:** Interchangeable precision injection molded specular polycarbonate reflector maximized for 30° or 50° beam distribution.

#### LIGHT ENGINE: Field Replaceable

Available in 10W or 20W, 3000K ±100K, 80+ CRI. High power warm white LED's tightly binned for fixture to fixture color consistency.

#### RATED LIFE:

L70 @ 50,000 hours.

#### HEATSINK:

Proprietary high performance aluminum die cast heatsink for maximum LED life.

#### DRIVER:

Solid state electronic. Constant current. High power factor. Specify 120V or 277V.

#### MOUNTING:

Butterfly brackets and adjustable nailer bars with integral nails provided. Nailer bars are extendible from 14" to 24" centers.

#### CEILING CUT OUT:

5 1/4" x 5 1/4"

#### LISTINGS:

Dry/Damp.

Not for use in environmental air handling spaces.



IBEW union made.

#### NOTES:

- Housing included with trim.
- Maximum ceiling thickness 1 inch. Consult factory for other ceiling conditions.
- Fixture should be installed in applications where ambient temperatures do not exceed 40°C during normal operation.
- For drywall installation only.
- Not for use with acoustical ceilings.
- **5 year warranty**

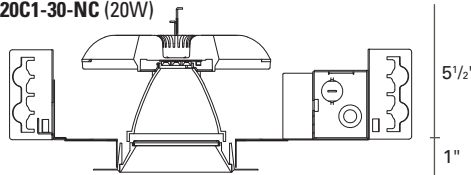
#### PHOTOMETRICS:

Consult factory.

### HOUSING INFORMATION

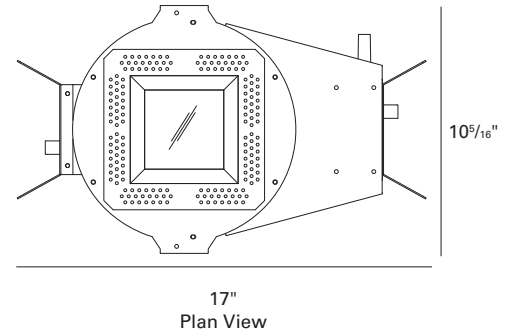
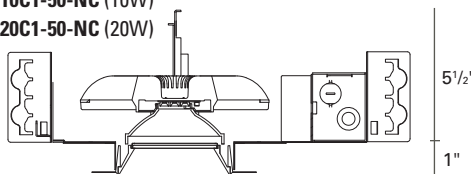
#### New Construction

30° Beam Distribution: **LSLD4-9010C1-30-NC** (10W)  
**LSLD4-9020C1-30-NC** (20W)



#### New Construction

50° Beam Distribution: **LSLD4-9010C1-50-NC** (10W)  
**LSLD4-9020C1-50-NC** (20W)



### ORDERING INFORMATION

Trim	Finish	Housing	Reflector	Housing Type	Voltage	Accessories
<b>3310</b>	<b>10</b> - White	<b>LSLD4-9010C1</b> - 10W LED	<b>30</b> - 30° Reflector	<b>NC</b> - New	<b>120V</b>	<b>CB27</b> - 27" C-Channel Bars
BeveLED Trim	<b>21</b> - Black	<b>LSLD4-9020C1</b> - 20W LED	<b>50</b> - 50° Reflector	Construction	<b>277V</b>	<b>CB52</b> - 52" C-Channel Bars
Downlight,	<b>28</b> - Metalized					<b>DIML1</b> - Lutron Hi-Lume/ECO SYS Dimming Driver
Warm White	Grey					<b>DIML2</b> - 0-10V Low Voltage Dimming Module
LED's						<b>SLD30</b> - 30° Reflector
						<b>SLD50</b> - 50° Reflector
						<b>EML</b> - Emergency lighting battery pack w/ remote test switch

How to Specify	<b>3310</b>	Finish	Housing	Reflector	Housing Type	Voltage	Accessories
	Trim	Finish	Housing	Reflector	Housing Type	Voltage	Accessories



USA Illumination™  
www.usaillumination.com  
info@usaillumination.com

1126 River Road  
New Windsor, NY 12553

T 845-565-8500  
F 845-561-1130

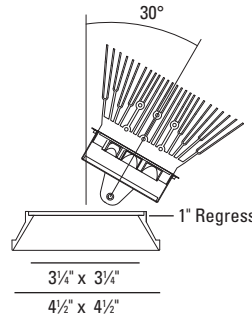
©2010. USAI, LLC.  
All rights reserved.  
All designs protected by copyright.  
Rev. 2/17/10

# BeveLED<sup>®</sup> LED Trimless

Adjustable 30°



2009 Next Generation  
Luminaire Recognized  
Winner



# 3430



## LUMINAIRE INFORMATION

### APPLICATION:

Accent luminaire for Residential, Commercial, Retail or Hospitality environments.

### MATERIALS:

**Trim:** Die cast aluminum retained by two mounting clips.

**Housing:** All-Ways Square™ powder coated black housing allows alignment of square aperture (up to 20° rotation) after housing installation and prior to finish ceiling installation. Patent pending. 16 ga. galvanized steel thru wire J-box, 4 in 4 out at min. 75°C, #12 AGW thru branch circuit wiring.

Housing and trim supplied as one complete unit.

**Optics:** Interchangeable proprietary 10° or 30° high efficiency molded lens.

### LIGHT ENGINE: Field Replaceable

Available in 10W or 20W, 3000K ±100K, 80+ CRI. High power warm white LED's tightly binned for fixture to fixture color consistency.

### RATED LIFE:

L70 @ 50,000 hours.

### HEATSINK:

Proprietary high performance extruded aluminum heatsink for maximum LED life.

### DRIVER:

Solid state electronic. Constant current. High power factor. Specify 120V or 277V.

### ADJUSTMENT:

360° horizontal locking, 30° vertical locking.

### ACCESSORY HOLDER:

Snap in aluminum with solite lens, (2) lens max.

### MOUNTING:

Butterfly brackets and adjustable nailer bars with integral nails provided. Nailer bars are extendible from 14" to 24" centers.

### CEILING CUT OUT:

5 1/4" x 5 1/4"

### LISTINGS:

Dry/Damp.



IBEW union made.

### NOTES:

- Housing included with trim.
- Maximum ceiling thickness 1 inch. Consult factory for other ceiling conditions.
- Fixture should be installed in applications where ambient temperatures do not exceed 40°C during normal operation.
- For drywall installation only.
- Not for use with acoustical ceilings.
- **5 year warranty**

### PHOTOMETRICS:

Consult factory.

## HOUSING INFORMATION

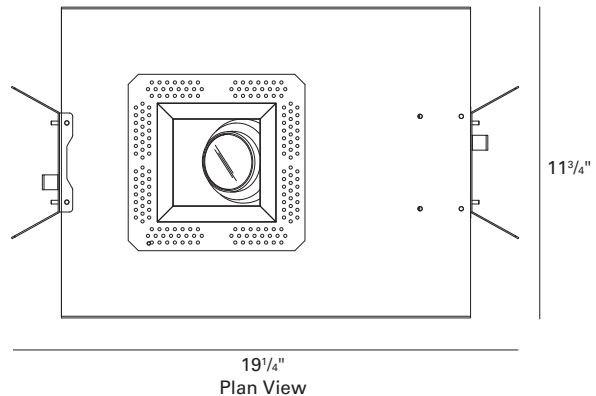
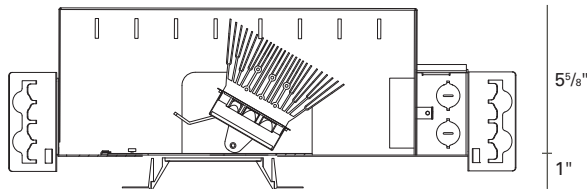
### New Construction

10° Beam Angle: **LSLA4-8310C1-10-NC** (10W)

**LSLA4-8320C1-10-NC** (20W)

30° Beam Angle: **LSLA4-8310C1-30-NC** (10W)

**LSLA4-8320C1-30-NC** (20W)



## ORDERING INFORMATION

Trim	Finish	Housing	Beam Angle	Housing Type	Voltage	Accessories
<b>3430</b>	<b>10</b> - White	<b>LSLA4-8310C1</b> - 10W LED	<b>10</b> - 10° Beam Angle	<b>NC</b> - New	<b>120V</b>	<b>CB27</b> - 27" C-Channel Bars
BeveLED	<b>21</b> - Black	<b>LSLA4-8320C1</b> - 20W LED	<b>30</b> - 30° Beam Angle	Construction	<b>277V</b>	<b>CB52</b> - 52" C-Channel Bars
Trimless	<b>28</b> - Metalized					<b>DIML1</b> - Lutron Hi-Lume/ECO SYS Dimming Driver
30° Adjustable,	Grey					<b>DIML2</b> - 0-10V Low Voltage Dimming Module
Warm White						<b>EML</b> - Emergency lighting battery pack w/ remote test switch
LED's						<b>SLA10</b> - 10° Lens
						<b>SLA30</b> - 30° Lens

How to Specify	<b>3130</b>	Finish	Housing	Beam Angle	Housing Type	Voltage	Accessories
	Trim	Finish	Housing	Beam Angle	Housing Type	Voltage	Accessories



USA Illumination™  
www.usaillumination.com  
info@usaillumination.com

1126 River Road  
New Windsor, NY 12553

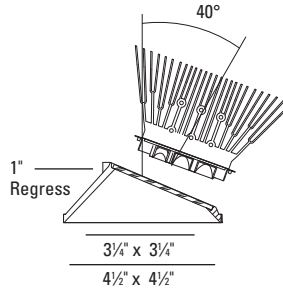
T 845-565-8500  
F 845-561-1130

©2010. USAI, LLC.  
All rights reserved.  
All designs protected by copyright.

# BeveLED<sup>®</sup> LED Trimless Adjustable 40°

2009 Next Generation  
Luminaire Recognized  
Winner

# 3440



## LUMINAIRE INFORMATION

### APPLICATION:

Accent luminaire for Residential, Commercial, Retail or Hospitality environments.

### MATERIALS:

**Trim:** Die cast aluminum retained by two mounting clips.

**Housing:** All-Ways Square™ powder coated black housing allows alignment of square aperture (up to 20° rotation) after housing installation and prior to finish ceiling installation. Patent pending. 16 ga. galvanized steel thru wire J-box, 4 in 4 out at min. 75°C, #12 AGW thru branch circuit wiring.

Housing and trim supplied as one complete unit.

**Optics:** Interchangeable proprietary 10° or 30° high efficiency molded lens.

### LIGHT ENGINE: Field Replaceable

Available in 10W or 20W, 3000K ±100K, 80+ CRI. High power warm white LED's tightly binned for fixture to fixture color consistency.

### RATED LIFE:

L70 @ 50,000 hours.

### HEATSINK:

Proprietary high performance extruded aluminum heatsink for maximum LED life.

### DRIVER:

Solid state electronic. Constant current. High power factor. Specify 120V or 277V.

### ADJUSTMENT:

90° increments horizontal rotation lockable. 40° vertical tilt lockable.

### ACCESSORY HOLDER:

Snap in aluminum with solite lens, (2) lens max.

### MOUNTING:

Butterfly brackets and adjustable nailer bars with integral nails provided. Nailer bars are extendible from 14" to 24" centers.

### CEILING CUT OUT:

5 1/4" x 5 1/4"

### LISTINGS:

Dry/Damp.



IBEW union made.

### NOTES:

- Housing included with trim.
- Maximum ceiling thickness 1 inch. Consult factory for other ceiling conditions.
- Fixture should be installed in applications where ambient temperatures do not exceed 40°C during normal operation.
- For drywall installation only.
- Not for use with acoustical ceilings.
- **5 year warranty**

### PHOTOMETRICS:

Consult factory.

## HOUSING INFORMATION

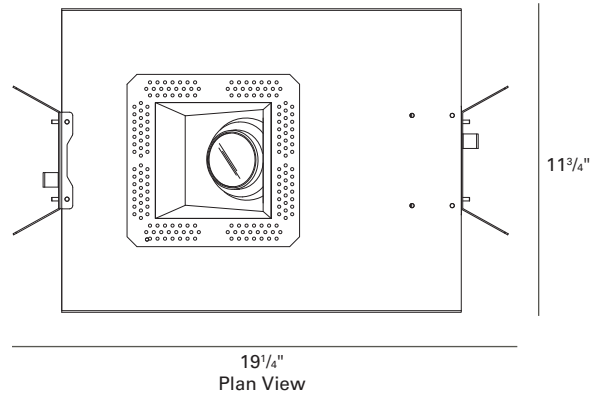
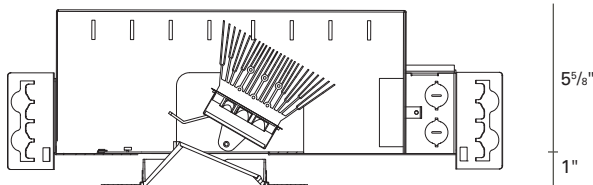
### New Construction

10° Beam Angle: **LSTA4-8410C1-10-NC** (10W)

**LSTA4-8420C1-10-NC** (20W)

30° Beam Angle: **LSTA4-8410C1-30-NC** (10W)

**LSTA4-8420C1-30-NC** (20W)



## ORDERING INFORMATION

Trim	Finish	Housing	Beam Angle	Housing Type	Voltage	Accessories
<b>3440</b>	<b>10</b> - White	<b>LSTA4-8410C1</b> - 10W LED	<b>10</b> - 10° Beam Angle	<b>NC</b> - New	<b>120V</b>	<b>CB27</b> - 27" C-Channel Bars
BeveLED	<b>21</b> - Black	<b>LSTA4-8420C1</b> - 20W LED	<b>30</b> - 30° Beam Angle	Construction	<b>277V</b>	<b>CB52</b> - 52" C-Channel Bars
Trimless	<b>28</b> - Metalized					<b>DIML1</b> - Lutron Hi-Lume/ECO SYS Dimming Driver
40° Adjustable,	Grey					<b>DIML2</b> - 0-10V Low Voltage Dimming Module
Warm White						<b>EML</b> - Emergency lighting battery pack w/ remote test switch
LED's						<b>SLA10</b> - 10° Lens
						<b>SLA30</b> - 30° Lens

How to Specify	<b>3440</b>	Finish	Housing	Beam Angle	NC	Housing Type	Voltage	Accessories
	Trim	Finish	Housing	Beam Angle	Housing Type	Voltage	Accessories	



USA Illumination™  
www.usaillumination.com  
info@usaillumination.com

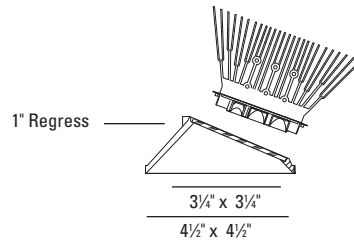
1126 River Road  
New Windsor, NY 12553

T 845-565-8500  
F 845-561-1130

©2010. USAI, LLC.  
All rights reserved.  
All designs protected by copyright.  
Rev. 2/17/10

# BeveLED<sup>®</sup> LED Trimless Wall Wash

# 3450



## LUMINAIRE INFORMATION

### APPLICATION:

Accent luminaire for Residential, Commercial, Retail or Hospitality environments.

### MATERIALS:

**Trim:** Die cast aluminum retained by two mounting clips.

**Housing:** All-Ways Square™ powder coated black housing allows alignment of square aperture (up to 20° rotation) after housing installation and prior to finish ceiling installation. Patent pending. 16 ga. galvanized steel thru wire J-box, 4 in 4 out at min. 75°C, #12 AGW thru branch circuit wiring.

Housing and trim supplied as one complete unit.

**Trim Lens:** Proprietary molded wall wash lens.

### LIGHT ENGINE: Field Replaceable

Available in 10W or 20W, 3000K ±100K, 80+ CRI. High power warm white LED's tightly binned for fixture to fixture color consistency.

### RATED LIFE:

L70 @ 50,000 hours.

### HEATSINK:

Proprietary high performance extruded aluminum heatsink for maximum LED life.

### DRIVER:

Solid state electronic. Constant current. High power factor. Specify 120V or 277V.

### ADJUSTMENT:

90° increments horizontal locking.

### MOUNTING:

Butterfly brackets and adjustable nailer bars with integral nails provided. Nailer bars are extendible from 14" to 24" centers.

### CEILING CUT OUT:

5 1/4" x 5 1/4"

### LISTINGS:

Dry/Damp.



IBEW union made.

### NOTES:

- Housing included with trim.
- Maximum ceiling thickness 1 inch. Consult factory for other ceiling conditions.
- Fixture should be installed in applications where ambient temperatures do not exceed 40°C during normal operation.
- For drywall installation only.
- Not for use with acoustical ceilings.
- **5 year warranty**

### PHOTOMETRICS:

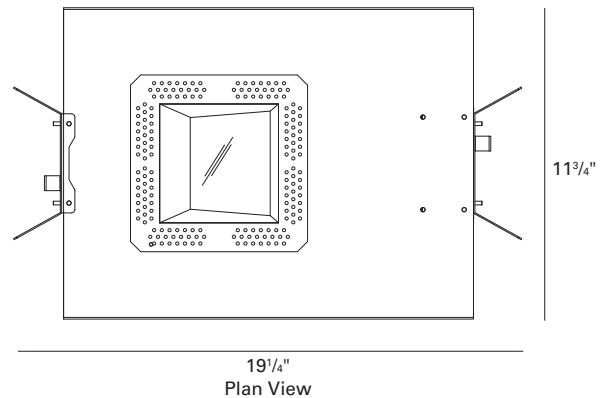
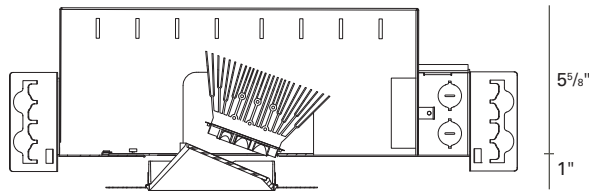
Consult factory.

## HOUSING INFORMATION

New Construction

**LSLW4-6010C1-NC** - 10W LED

**LSLW4-6020C1-NC** - 20W LED



## ORDERING INFORMATION

Trim	Finish	Housing	Housing Type	Voltage	Accessories
<b>3450</b>	<b>10</b> - White	<b>LSLW4-6010C1</b> - 10W LED	<b>NC</b> - New Construction	<b>120V</b>	<b>CB27</b> - 27" C-Channel Bars
BeveLED	<b>21</b> - Black	<b>LSLW4-6020C1</b> - 20W LED		<b>277V</b>	<b>CB52</b> - 52" C-Channel Bars
Trimless	<b>28</b> - Metalized				<b>DIML1</b> - Lutron Hi-Lume/ECO SYS Dimming Driver
Wall Wash,	Grey				<b>DIML2</b> - 0-10V Low Voltage Dimming Module
Warm White					<b>EML</b> - Emergency lighting battery pack w/ remote test switch
LED's					

How to Specify	<b>3450</b>	Finish	Housing	NC	Voltage	Accessories
	Trim	Finish	Housing	Housing Type	Voltage	Accessories



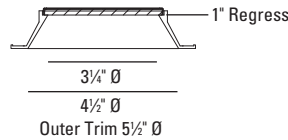
USA Illumination™  
www.usaillumination.com  
info@usaillumination.com

1126 River Road  
New Windsor, NY 12553

T 845-565-8500  
F 845-561-1130

©2010. USAI, LLC.  
All rights reserved.  
All designs protected by copyright.

## Downlight



### LUMINAIRE INFORMATION

#### APPLICATION:

Accent luminaire for Residential, Commercial, Retail or Hospitality environments.

#### MATERIALS:

**Trim:** Die cast aluminum retained by two mounting clips.  
**Housing:** Fabricated of 20 ga. galvanized steel with thru wire J-box, 4 in 4 out at min. 90°C, #12 AGW thru branch circuit wiring. Housing and trim supplied as one complete unit.  
**Trim Lens:** Dual proprietary low glare blended optical lens system.  
**Reflector:** Interchangeable precision injection molded specular polycarbonate reflector maximized for 30° or 50° beam distribution.

#### LIGHT ENGINE: Field Replaceable

Available in 10W or 20W, 3000K ±100K, 80+ CRI. High power warm white LED's tightly binned for fixture to fixture color consistency.

#### RATED LIFE:

L70 @ 50,000 hours.

#### HEATSINK:

Proprietary high performance aluminum die cast heatsink for maximum LED life.

#### DRIVER:

Solid state electronic. Constant current. High power factor. Specify 120V or 277V.

#### MOUNTING:

Butterfly brackets and adjustable nailer bars with integral nails provided. Nailer bars are extendible from 14" to 24" centers.

#### CEILING CUT OUT:

5" Ø

#### LISTINGS:

Dry/Damp.

\*Wet under covered ceiling is optionally available (not standard). Not for use in environmental air handling spaces.



IBEW union made.

#### NOTES:

- Housing included with trim.
- Maximum ceiling thickness 1 inch. Consult factory for other ceiling conditions.
- Fixture should be installed in applications where ambient temperatures do not exceed 40°C during normal operation.
- **5 year warranty**

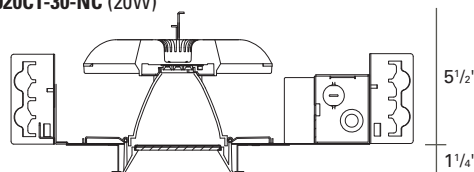
#### PHOTOMETRICS:

Consult factory.

### HOUSING INFORMATION

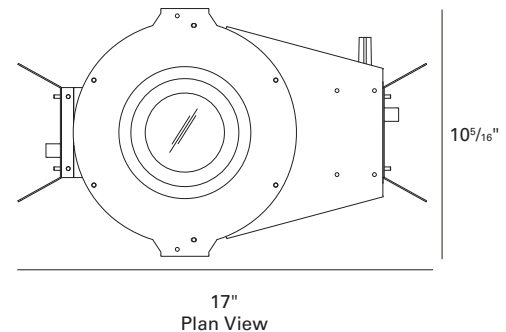
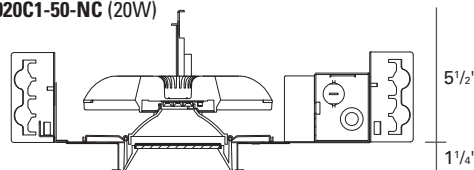
#### New Construction

30° Beam Distribution: **LRTD4-9010C1-30-NC** (10W)  
**LRTD4-9020C1-30-NC** (20W)



#### New Construction

50° Beam Distribution: **LRTD4-9010C1-50-NC** (10W)  
**LRTD4-9020C1-50-NC** (20W)



### ORDERING INFORMATION

Trim	Finish	Housing	Reflector	Housing Type	Voltage	Accessories
<b>3020</b>	<b>10</b> - White	<b>LRTD4-9010C1</b> - 10W LED	<b>30</b> - 30° Reflector	<b>NC</b> - New	<b>120V</b>	<b>W</b> - Wet Listed (under covered ceiling)
BeveLED Trim	<b>21</b> - Black	<b>LRTD4-9020C1</b> - 20W LED	<b>50</b> - 50° Reflector	Construction	<b>277V</b>	<b>CB27</b> - 27" C-Channel Bars
Downlight,	<b>28</b> - Metalized					<b>CB52</b> - 52" C-Channel Bars
Warm White	Grey					<b>DIML1</b> - Lutron Hi-Lume/ECO SYS Dimming Driver
LED's						<b>DIML2</b> - 0-10V Low Voltage Dimming Module
						<b>SLD30</b> - 30° Reflector
						<b>SLD50</b> - 50° Reflector
						<b>EML</b> - Emergency lighting battery pack w/ remote test switch

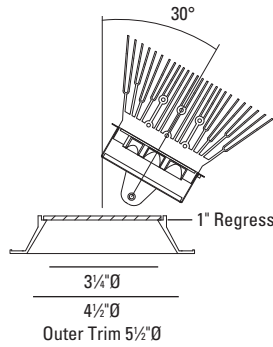
How to Specify	3010	Finish	Housing	Reflector	Housing Type	Voltage	Accessories
	Trim	Finish	Housing	Reflector	Housing Type	Voltage	Accessories

# BeveLED® LED

## Adjustable 30°

2009 Next Generation  
Luminaire Recognized  
Winner

# 3230



### LUMINAIRE INFORMATION

#### APPLICATION:

Accent luminaire for Residential, Commercial, Retail or Hospitality environments.

#### MATERIALS:

**Trim:** Die cast aluminum retained by two mounting clips.

**Housing:** Fabricated of 20 ga. powder coated black galvanized steel thru wire J-box, 4 in 4 out at min. 75°C, #12 AGW thru branch circuit wiring.

Housing and trim supplied as one complete unit.

**Optics:** Interchangeable proprietary 10° or 30° high efficiency molded lens.

#### LIGHT ENGINE: Field Replaceable

Available in 10W or 20W, 3000K ±100K, 80+ CRI. High power warm white LED's tightly binned for fixture to fixture color consistency.

#### RATED LIFE:

L70 @ 50,000 hours.

#### HEATSINK:

Proprietary high performance extruded aluminum heatsink for maximum LED life.

#### DRIVER:

Solid state electronic. Constant current. High power factor. Specify 120V or 277V.

#### ADJUSTMENT:

360° horizontal locking, 30° vertical locking.

#### ACCESSORY HOLDER:

Snap in aluminum with solite lens, (2) lens max.

#### MOUNTING:

Butterfly brackets and adjustable nailer bars with integral nails provided. Nailer bars are extendible from 14" to 24" centers.

#### CEILING CUT OUT:

5"Ø

#### LISTINGS:

Dry/Damp.

\*Wet under covered ceiling is optionally available (not standard).



IBEW union made.

#### NOTES:

- Housing included with trim.
- Maximum ceiling thickness 1 inch. Consult factory for other ceiling conditions.
- Fixture should be installed in applications where ambient temperatures do not exceed 40°C during normal operation.
- **5 year warranty**

#### PHOTOMETRICS:

Consult factory.

### HOUSING INFORMATION

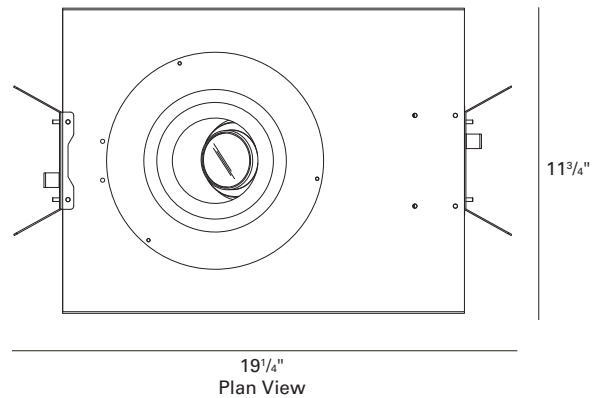
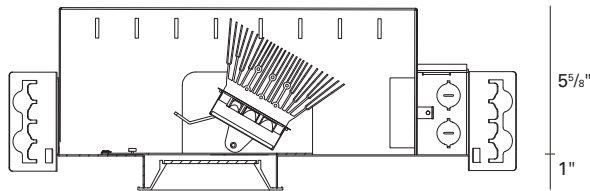
#### New Construction

10° Beam Angle: **LRTA4-8310C1-10-NC** (10W)

**LRTA4-8320C1-10-NC** (20W)

30° Beam Angle: **LRTA4-8310C1-30-NC** (10W)

**LRTA4-8320C1-30-NC** (20W)



### ORDERING INFORMATION

Trim	Finish	Housing	Beam Angle	Housing Type	Voltage	Accessories
<b>3230</b>	<b>10</b> - White	<b>LRTA4-8310C1</b> - 10W LED	<b>10</b> - 10° Beam Angle	<b>NC</b> - New	<b>120V</b>	<b>W</b> - Wet Listed (under covered ceiling)
BeveLED Trim	<b>21</b> - Black	<b>LRTA4-8320C1</b> - 20W LED	<b>30</b> - 30° Beam Angle	Construction	<b>277V</b>	<b>CB27</b> - 27" C-Channel Bars
30° Adjustable,	<b>28</b> - Metalized					<b>CB52</b> - 52" C-Channel Bars
Warm White	Grey					<b>DIML1</b> - Lutron Hi-Lume/ECO SYS Dimming Driver
LED's						<b>DIML2</b> - 0-10V Low Voltage Dimming Module
						<b>EML</b> - Emergency lighting battery pack w/ remote test switch
						<b>SLA10</b> - 10° Lens
						<b>SLA30</b> - 30° Lens

How to Specify	<b>3230</b>	Finish	Housing	Beam Angle	NC	Housing Type	Voltage	Accessories
	Trim	Finish	Housing	Beam Angle	Housing Type	Voltage	Accessories	



USA Illumination™  
www.usaillumination.com  
info@usaillumination.com

1126 River Road  
New Windsor, NY 12553

T 845-565-8500  
F 845-561-1130

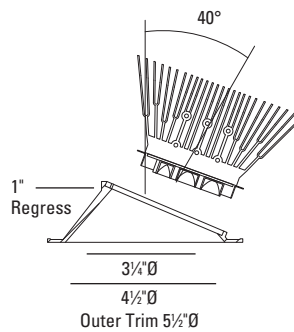
©2010. USAI, LLC.  
All rights reserved.  
All designs protected by copyright.  
Rev. 2/17/10

# BeveLED<sup>®</sup> LED

## Adjustable 40°

2009 Next Generation  
Luminaire Recognized  
Winner

# 3240



### LUMINAIRE INFORMATION

#### APPLICATION:

Accent luminaire for Residential, Commercial, Retail or Hospitality environments.

#### MATERIALS:

**Trim:** Die cast aluminum retained by two mounting clips.

**Housing:** Fabricated of 20 ga. powder coated black galvanized steel thru wire J-box, 4 in 4 out at min. 75°C, #12 AGW thru branch circuit wiring.

Housing and trim supplied as one complete unit.

**Optics:** Interchangeable proprietary 10° or 30° high efficiency molded lens.

#### LIGHT ENGINE: Field Replaceable

Available in 10W or 20W, 3000K ±100K, 80+ CRI. High power warm white LED's tightly binned for fixture to fixture color consistency.

#### RATED LIFE:

L70 @ 50,000 hours.

#### HEATSINK:

Proprietary high performance extruded aluminum heatsink for maximum LED life.

#### DRIVER:

Solid state electronic. Constant current. High power factor. Specify 120V or 277V.

#### ADJUSTMENT:

360° horizontal locking, 40° vertical locking.

#### ACCESSORY HOLDER:

Snap in aluminum with solite lens, (2) lens max.

#### MOUNTING:

Butterfly brackets and adjustable nailer bars with integral nails provided. Nailer bars are extendible from 14" to 24" centers.

#### CEILING CUT OUT:

5"Ø

#### LISTINGS:

Dry/Damp.

\*Wet under covered ceiling is optionally available (not standard).



IBEW union made.

#### NOTES:

- Housing included with trim.
- Maximum ceiling thickness 1 inch. Consult factory for other ceiling conditions.
- Fixture should be installed in applications where ambient temperatures do not exceed 40°C during normal operation.
- **5 year warranty**

#### PHOTOMETRICS:

Consult factory.

### HOUSING INFORMATION

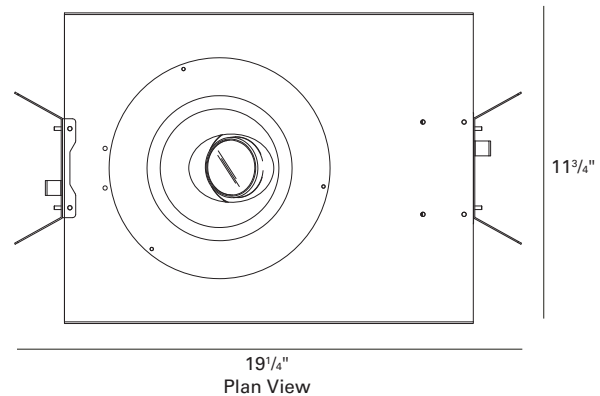
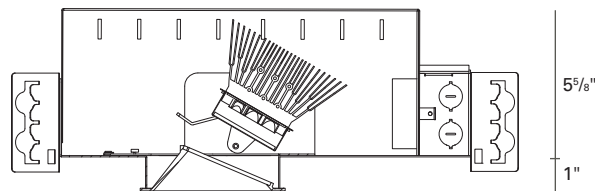
#### New Construction

10° Beam Angle: **LRTA4-8410C1-10-NC** (10W)

**LRTA4-8420C1-10-NC** (20W)

30° Beam Angle: **LRTA4-8410C1-30-NC** (10W)

**LRTA4-8420C1-30-NC** (20W)



### ORDERING INFORMATION

Trim	Finish	Housing	Beam Angle	Housing Type	Voltage	Accessories
<b>3240</b>	<b>10</b> - White	<b>LRTA4-8410C1</b> - 10W LED	<b>10</b> - 10° Beam Angle	<b>NC</b> - New	<b>120V</b>	<b>W</b> - Wet Listed (under covered ceiling)
BeveLED Trim	<b>21</b> - Black	<b>LRTA4-8420C1</b> - 20W LED	<b>30</b> - 30° Beam Angle	Construction	<b>277V</b>	<b>CB27</b> - 27" C-Channel Bars
40° Adjustable,	<b>28</b> - Metalized					<b>CB52</b> - 52" C-Channel Bars
Warm White	Grey					<b>DIML1</b> - Lutron Hi-Lume/ECO SYS Dimming Driver
LED's						<b>DIML2</b> - 0-10V Low Voltage Dimming Module
						<b>EML</b> - Emergency lighting battery pack w/ remote test switch
						<b>SLA10</b> - 10° Lens
						<b>SLA30</b> - 30° Lens

How to Specify	<b>3240</b>	Finish	Housing	Beam Angle	Housing Type	Voltage	Accessories
	Trim	Finish	Housing	Beam Angle	Housing Type	Voltage	Accessories



USA Illumination™  
www.usaillumination.com  
info@usaillumination.com

1126 River Road  
New Windsor, NY 12553

T 845-565-8500  
F 845-561-1130

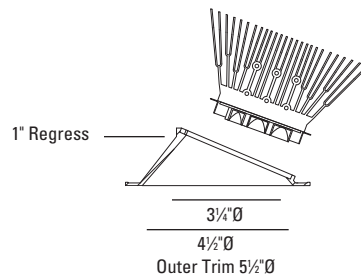
©2010. USAI, LLC.  
All rights reserved.  
All designs protected by copyright.  
Rev. 2/17/10

# BeveLED® LED

## Wall Wash



# 3250



### LUMINAIRE INFORMATION

#### APPLICATION:

Accent luminaire for Residential, Commercial, Retail or Hospitality environments.

#### MATERIALS:

**Trim:** Die cast aluminum retained by two mounting clips.

**Housing:** Fabricated of 20 ga. powder coated black galvanized steel thru wire J-box, 4 in 4 out at min. 75°C, #12 AGW thru branch circuit wiring.

Housing and trim supplied as one complete unit.

**Trim Lens:** Proprietary molded wall wash lens.

#### LIGHT ENGINE: Field Replaceable

Available in 10W or 20W, 3000K ±100K, 80+ CRI. High power warm white LED's tightly binned for fixture to fixture color consistency.

#### RATED LIFE:

L70 @ 50,000 hours.

#### HEATSINK:

Proprietary high performance extruded aluminum heatsink for maximum LED life.

#### DRIVER:

Solid state electronic. Constant current. High power factor. Specify 120V or 277V.

#### ADJUSTMENT:

362° horizontal lockable.

#### MOUNTING:

Butterfly brackets and adjustable nailer bars with integral nails provided. Nailer bars are extendible from 14" to 24" centers.

#### CEILING CUT OUT:

5"Ø

#### LISTINGS:

Dry/Damp.

\*Wet under covered ceiling is optionally available (not standard).



IBEW union made.

#### NOTES:

- Housing included with trim.
- Maximum ceiling thickness 1 inch. Consult factory for other ceiling conditions.
- Fixture should be installed in applications where ambient temperatures do not exceed 40°C during normal operation.
- **5 year warranty**

#### PHOTOMETRICS:

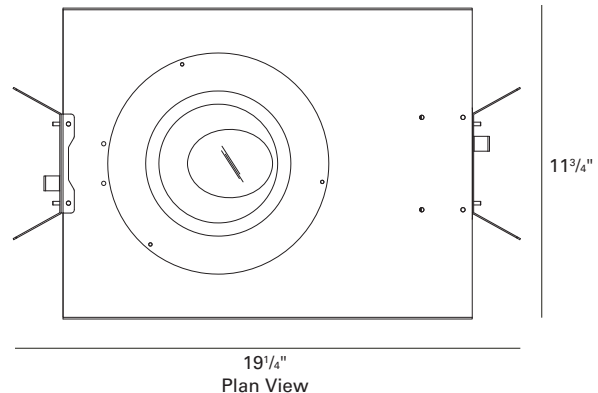
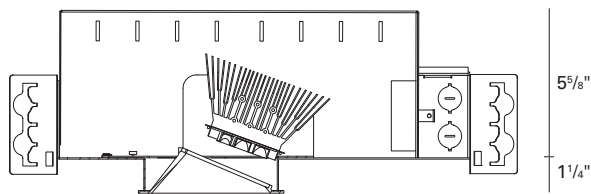
Consult factory.

### HOUSING INFORMATION

New Construction

**LRTW4-6010C1-NC** - 10W LED

**LRTW4-6020C1-NC** - 20W LED



### ORDERING INFORMATION

Trim	Finish	Housing	Housing Type	Voltage	Accessories
<b>3250</b>	<b>10</b> - White	<b>LRTW4-6010C1</b> - 10W LED	<b>NC</b> - New Construction	<b>120V</b>	<b>W</b> - Wet Listed (under covered ceiling)
BeveLED Trim	<b>21</b> - Black	<b>LRTW4-6020C1</b> - 20W LED		<b>277V</b>	<b>CB27</b> - 27" C-Channel Bars
Wall Wash, Warm White LED's	<b>28</b> - Metalized Grey				<b>CB52</b> - 52" C-Channel Bars
					<b>DIML1</b> - Lutron Hi-Lume/ECO SYS Dimming Driver
					<b>DIML2</b> - 0-10V Low Voltage Dimming Module
					<b>EML</b> - Emergency lighting battery pack w/ remote test switch

How to Specify	<b>3250</b>	Finish	Housing	NC	Voltage	Accessories
	Trim	Finish	Housing	Housing Type	Voltage	Accessories



USA Illumination™  
www.usaillumination.com  
info@usaillumination.com

1126 River Road  
New Windsor, NY 12553

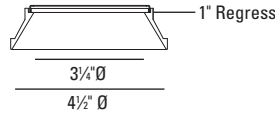
T 845-565-8500  
F 845-561-1130

©2010. USAI, LLC.  
All rights reserved.  
All designs protected by copyright.  
Rev. 2/17/10

# BeveLED<sup>®</sup> LED Trimless

# 3320

## Downlight



### LUMINAIRE INFORMATION

#### APPLICATION:

Accent luminaire for Residential, Commercial, Retail or Hospitality environments.

#### MATERIALS:

**Trim:** Die cast aluminum retained by two mounting clips.

**Housing:** Fabricated of 20 ga. powder coated black galvanized steel thru wire J-box, 4 in 4 out at min. 75°C, #12 AGW thru branch circuit wiring.

Housing and trim supplied as one complete unit.

**Trim Lens:** Dual proprietary low glare blended optical lens system.

**Reflector:** Interchangeable precision injection molded specular polycarbonate reflector maximized for 30° or 50° beam distribution.

#### LIGHT ENGINE: Field Replaceable

Available in 10W or 20W, 3000K ±100K, 80+ CRI. High power warm white LED's tightly binned for fixture to fixture color consistency.

#### RATED LIFE:

L70 @ 50,000 hours.

#### HEATSINK:

Proprietary high performance aluminum die cast heatsink for maximum LED life.

#### DRIVER:

Solid state electronic. Constant current. High power factor. Specify 120V or 277V.

#### MOUNTING:

Butterfly brackets and adjustable nailer bars with integral nails provided. Nailer bars are extendible from 14" to 24" centers.

#### CEILING CUT OUT:

5 1/4" Ø

#### LISTINGS:

Dry/Damp.

Not for use in environmental air handling spaces.



IBEW union made.

#### NOTES:

- Housing included with trim.
- Maximum ceiling thickness 1 inch. Consult factory for other ceiling conditions.
- Fixture should be installed in applications where ambient temperatures do not exceed 40°C during normal operation.
- For drywall installation only.
- Not for use with acoustical ceilings.
- **5 year warranty**

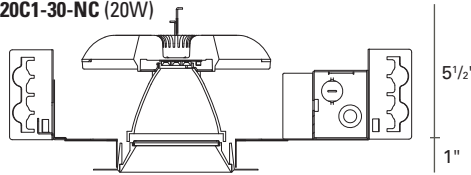
#### PHOTOMETRICS:

Consult factory.

### HOUSING INFORMATION

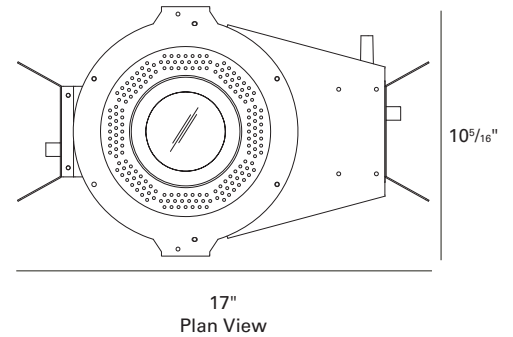
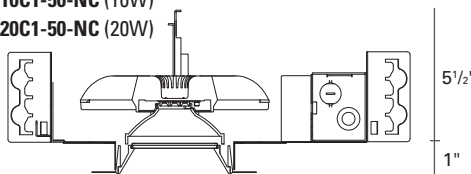
#### New Construction

30° Beam Distribution: **LRLD4-9010C1-30-NC** (10W)  
**LRLD4-9020C1-30-NC** (20W)



#### New Construction

50° Beam Distribution: **LRLD4-9010C1-50-NC** (10W)  
**LRLD4-9020C1-50-NC** (20W)



### ORDERING INFORMATION

Trim	Finish	Housing	Reflector	Housing Type	Voltage	Accessories
<b>3320</b>	<b>10</b> - White	<b>LRLD4-9010C1</b> - 10W LED	<b>30</b> - 30° Reflector	<b>NC</b> - New	<b>120V</b>	<b>CB27</b> - 27" C-Channel Bars
BeveLED Trim	<b>21</b> - Black	<b>LRLD4-9020C1</b> - 20W LED	<b>50</b> - 50° Reflector	Construction	<b>277V</b>	<b>CB52</b> - 52" C-Channel Bars
Downlight, Warm White LED's	<b>28</b> - Metalized Grey					<b>DIML1</b> - Lutron Hi-Lume/ECO SYS Dimming Driver <b>DIML2</b> - 0-10V Low Voltage Dimming Module <b>SLD30</b> - 30° Reflector <b>SLD50</b> - 50° Reflector <b>EML</b> - Emergency lighting battery pack w/ remote test switch

How to Specify	<b>3320</b>	Finish	Housing	Reflector	Housing Type	Voltage	Accessories
	Trim	Finish	Housing	Reflector	Housing Type	Voltage	Accessories



USA Illumination™  
www.usaillumination.com  
info@usaillumination.com

1126 River Road  
New Windsor, NY 12553

T 845-565-8500  
F 845-561-1130

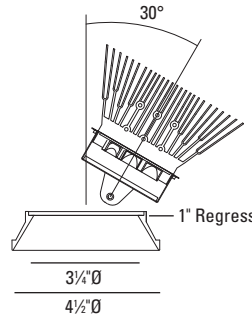
©2010. USAI, LLC.  
All rights reserved.  
All designs protected by copyright.  
Rev. 2/17/10

# BeveLED® LED Trimless

Adjustable 30°



2009 Next Generation Luminaire Recognized Winner



# 3330



## LUMINAIRE INFORMATION

### APPLICATION:

Accent luminaire for Residential, Commercial, Retail or Hospitality environments.

### MATERIALS:

**Trim:** Die cast aluminum retained by two mounting clips.

**Housing:** Fabricated of 20 ga. powder coated black galvanized steel thru wire J-box, 4 in 4 out at min. 75°C, #12 AGW thru branch circuit wiring.

Housing and trim supplied as one complete unit.

**Optics:** Interchangeable proprietary 10° or 30° high efficiency molded lens.

### LIGHT ENGINE: Field Replaceable

Available in 10W or 20W, 3000K ±100K, 80+ CRI. High power warm white LED's tightly binned for fixture to fixture color consistency.

### RATED LIFE:

L70 @ 50,000 hours.

### HEATSINK:

Proprietary high performance extruded aluminum heatsink for maximum LED life.

### DRIVER:

Solid state electronic. Constant current. High power factor. Specify 120V or 277V.

### ADJUSTMENT:

360° horizontal locking, 30° vertical locking.

### ACCESSORY HOLDER:

Snap in aluminum with solite lens, (2) lens max.

### MOUNTING:

Butterfly brackets and adjustable nailer bars with integral nails provided. Nailer bars are extendible from 14" to 24" centers.

### CEILING CUT OUT:

5 1/4"Ø

### LISTINGS:

Dry/Damp.



IBEW union made.

### NOTES:

- Housing included with trim.
- Maximum ceiling thickness 1 inch. Consult factory for other ceiling conditions.
- Fixture should be installed in applications where ambient temperatures do not exceed 40°C during normal operation.
- For drywall installation only.
- Not for use with acoustical ceilings.
- **5 year warranty**

### PHOTOMETRICS:

Consult factory.

## HOUSING INFORMATION

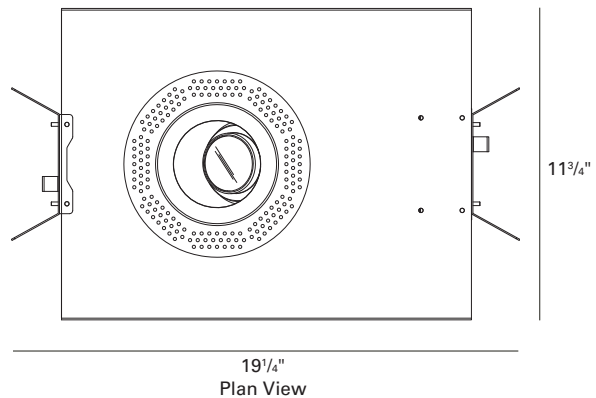
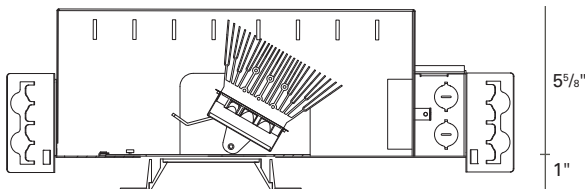
### New Construction

10° Beam Angle: **LRLA4-8310C1-10-NC** (10W)

**LRLA4-8320C1-10-NC** (20W)

30° Beam Angle: **LRLA4-8310C1-30-NC** (10W)

**LRLA4-8320C1-30-NC** (20W)



## ORDERING INFORMATION

Trim	Finish	Housing	Beam Angle	Housing Type	Voltage	Accessories
<b>3330</b>	<b>10</b> - White	<b>LRLA4-8310C1</b> - 10W LED	<b>10</b> - 10° Beam Angle	<b>NC</b> - New Construction	<b>120V</b>	<b>CB27</b> - 27" C-Channel Bars
BeveLED	<b>21</b> - Black	<b>LRLA4-8320C1</b> - 20W LED	<b>30</b> - 30° Beam Angle		<b>277V</b>	<b>CB52</b> - 52" C-Channel Bars
Trimless	<b>28</b> - Metalized					<b>DIML1</b> - Lutron Hi-Lume/ECO SYS Dimming Driver
30° Adjustable,	Grey					<b>DIML2</b> - 0-10V Low Voltage Dimming Module
Warm White						<b>EML</b> - Emergency lighting battery pack w/ remote test switch
LED's						<b>SLA10</b> - 10° Lens
						<b>SLA30</b> - 30° Lens

How to Specify	3330	Finish	Housing	Beam Angle	Housing Type	Voltage	Accessories
	Trim	Finish	Housing	Beam Angle	Housing Type	Voltage	Accessories



USA Illumination™  
www.usaillumination.com  
info@usaillumination.com

1126 River Road  
New Windsor, NY 12553

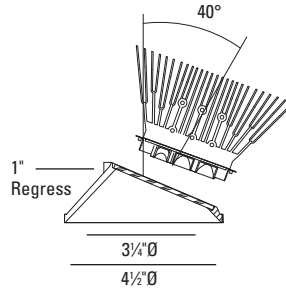
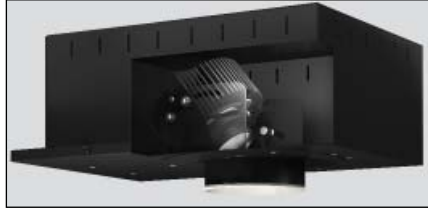
T 845-565-8500  
F 845-561-1130

©2010. USAI, LLC.  
All rights reserved.  
All designs protected by copyright.

# BeveLED® LED Trimless Adjustable 40°

2009 Next Generation  
Luminaire Recognized  
Winner

# 3340



## LUMINAIRE INFORMATION

### APPLICATION:

Accent luminaire for Residential, Commercial, Retail or Hospitality environments.

### MATERIALS:

**Trim:** Die cast aluminum retained by two mounting clips.

**Housing:** Fabricated of 20 ga. powder coated black galvanized steel thru wire J-box, 4 in 4 out at min. 75°C, #12 AGW thru branch circuit wiring.

Housing and trim supplied as one complete unit.

**Optics:** Interchangeable proprietary 10° or 30° high efficiency molded lens.

### LIGHT ENGINE: Field Replaceable

Available in 10W or 20W, 3000K ±100K, 80+ CRI. High power warm white LED's tightly binned for fixture to fixture color consistency.

### RATED LIFE:

L70 @ 50,000 hours.

### HEATSINK:

Proprietary high performance extruded aluminum heatsink for maximum LED life.

### DRIVER:

Solid state electronic. Constant current. High power factor. Specify 120V or 277V.

### ADJUSTMENT:

360° horizontal locking, 40° vertical locking.

### ACCESSORY HOLDER:

Snap in aluminum with solite lens, (2) lens max.

### MOUNTING:

Butterfly brackets and adjustable nailer bars with integral nails provided. Nailer bars are extendible from 14" to 24" centers.

### CEILING CUT OUT:

5 1/4"Ø

### LISTINGS:

Dry/Damp.



IBEW union made.

### NOTES:

- Housing included with trim.
- Maximum ceiling thickness 1 inch. Consult factory for other ceiling conditions.
- Fixture should be installed in applications where ambient temperatures do not exceed 40°C during normal operation.
- For drywall installation only.
- Not for use with acoustical ceilings.
- **5 year warranty**

### PHOTOMETRICS:

Consult factory.

## HOUSING INFORMATION

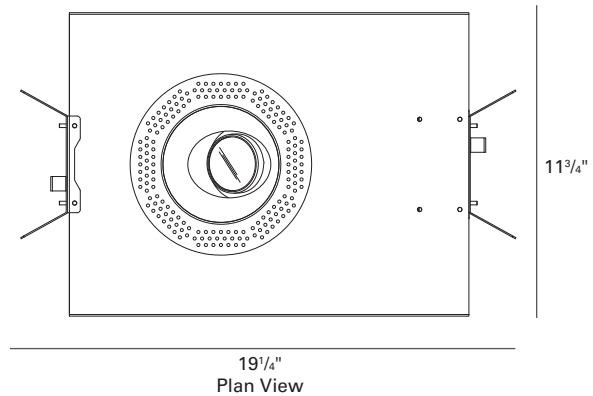
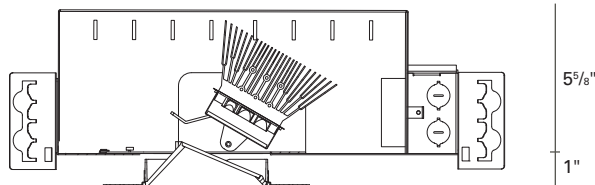
### New Construction

10° Beam Angle: **LRTA4-8410C1-10-NC** (10W)

**LRTA4-8420C1-10-NC** (20W)

30° Beam Angle: **LRTA4-8410C1-30-NC** (10W)

**LRTA4-8420C1-30-NC** (20W)



## ORDERING INFORMATION

Trim	Finish	Housing	Beam Angle	Housing Type	Voltage	Accessories
<b>3340</b>	<b>10</b> - White	<b>LRTA4-8410C1</b> - 10W LED	<b>10</b> - 10° Beam Angle	<b>NC</b> - New	<b>120V</b>	<b>CB27</b> - 27" C-Channel Bars
BeveLED	<b>21</b> - Black	<b>LRTA4-8420C1</b> - 20W LED	<b>30</b> - 30° Beam Angle	Construction	<b>277V</b>	<b>CB52</b> - 52" C-Channel Bars
Trimless	<b>28</b> - Metalized					<b>DIML1</b> - Lutron Hi-Lume/ECO SYS Dimming Driver
40° Adjustable,	Grey					<b>DIML2</b> - 0-10V Low Voltage Dimming Module
Warm White						<b>EML</b> - Emergency lighting battery pack w/ remote test switch
LED's						<b>SLA10</b> - 10° Lens
						<b>SLA30</b> - 30° Lens

How to Specify	<b>3340</b>	Finish	Housing	Beam Angle	Housing Type	Voltage	Accessories
	Trim	Finish	Housing	Beam Angle	Housing Type	Voltage	Accessories



USA Illumination™  
www.usaillumination.com  
info@usaillumination.com

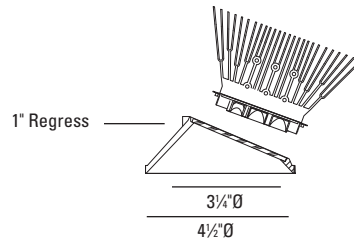
1126 River Road  
New Windsor, NY 12553

T 845-565-8500  
F 845-561-1130

©2010. USAI, LLC.  
All rights reserved.  
All designs protected by copyright.  
Rev. 2/17/10

# BeveLED<sup>®</sup> LED Trimless Wall Wash

# 3350



## LUMINAIRE INFORMATION

### APPLICATION:

Accent luminaire for Residential, Commercial, Retail or Hospitality environments.

### MATERIALS:

**Trim:** Die cast aluminum retained by two mounting clips.

**Housing:** Fabricated of 20 ga. powder coated black galvanized steel thru wire J-box, 4 in 4 out at min. 75°C, #12 AGW thru branch circuit wiring.

Housing and trim supplied as one complete unit.

**Trim Lens:** Proprietary molded wall wash lens.

### LIGHT ENGINE: Field Replaceable

Available in 10W or 20W, 3000K ±100K, 80+ CRI. High power warm white LED's tightly binned for fixture to fixture color consistency.

### RATED LIFE:

L70 @ 50,000 hours.

### HEATSINK:

Proprietary high performance extruded aluminum heatsink for maximum LED life.

### DRIVER:

Solid state electronic. Constant current. High power factor. Specify 120V or 277V.

### ADJUSTMENT:

362° horizontal lockable.

### MOUNTING:

Butterfly brackets and adjustable nailer bars with integral nails provided. Nailer bars are extendible from 14" to 24" centers.

### CEILING CUT OUT:

5 1/4" Ø

### LISTINGS:

Dry/Damp.



IBEW union made.

### NOTES:

- Housing included with trim.
- Maximum ceiling thickness 1 inch. Consult factory for other ceiling conditions.
- Fixture should be installed in applications where ambient temperatures do not exceed 40°C during normal operation.
- For drywall installation only.
- Not for use with acoustical ceilings.
- **5 year warranty**

### PHOTOMETRICS:

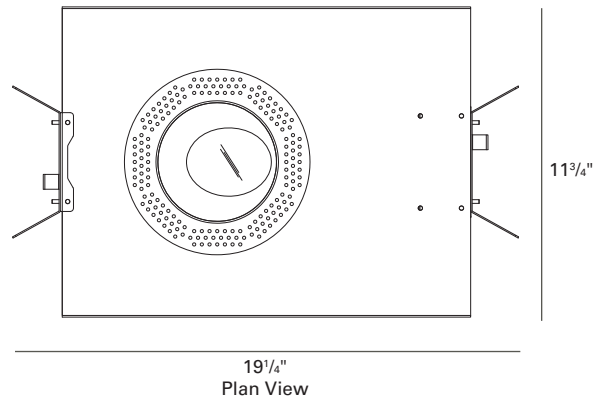
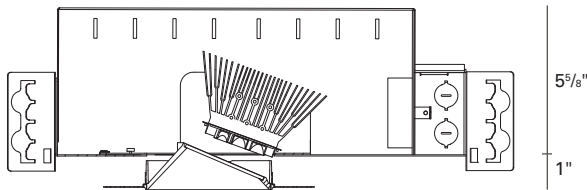
Consult factory.

## HOUSING INFORMATION

New Construction

**LRLW4-6010C1-NC** - 10W LED

**LRLW4-6020C1-NC** - 20W LED



## ORDERING INFORMATION

Trim	– Finish	– Housing	– Housing Type	– Voltage	– Accessories
<b>3350</b>	<b>10</b> - White	<b>LRLW4-6010C1</b> - 10W LED	<b>NC</b> - New Construction	<b>120V</b>	<b>CB27</b> - 27" C-Channel Bars
BeveLED	<b>21</b> - Black	<b>LRLW4-6020C1</b> - 20W LED		<b>277V</b>	<b>CB52</b> - 52" C-Channel Bars
Trimless	<b>28</b> - Metalized				<b>DIML1</b> - Lutron Hi-Lume/ECO SYS Dimming Driver
Wall Wash,	Grey				<b>DIML2</b> - 0-10V Low Voltage Dimming Module
Warm White					<b>EML</b> - Emergency lighting battery pack w/ remote test switch
LED's					<b>SLA10</b> - 10° Lens
					<b>SLA30</b> - 30° Lens

How to Specify

<b>3350</b>	–	–	– NC	–	–
Trim	– Finish	– Housing	– Housing Type	– Voltage	– Accessories

# USAI<sup>®</sup>

USA Illumination™  
www.usaillumination.com  
info@usaillumination.com

1126 River Road  
New Windsor, NY 12553

T 845-565-8500  
F 845-561-1130

©2010. USAI, LLC.  
All rights reserved.  
All designs protected by copyright.