



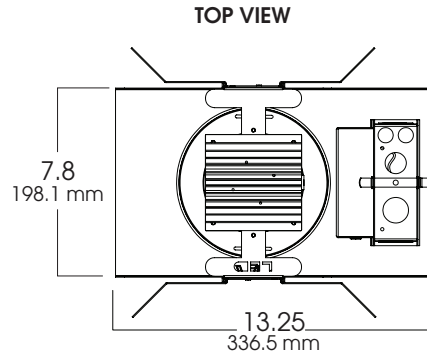
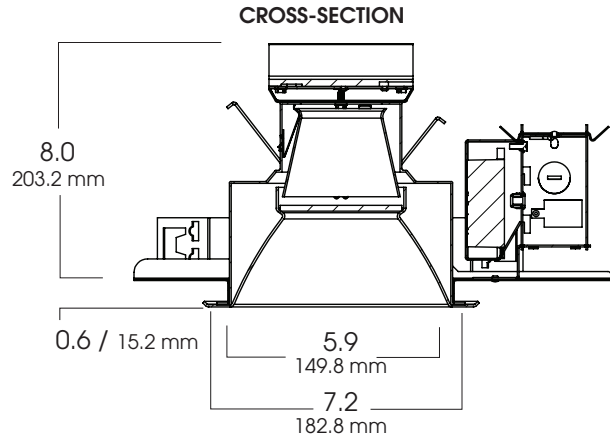
INFINIUM™ LED 6" SERIES DOWNLIGHT / POINT SOURCE LED 40 WATT MAX



FEATURES & SPECIFICATIONS:

- Powerful LED lamp assembly in efficient parabolic trim with excellent cutoff.
- **All LED modules and drivers are replacable and up-gradeable.**
- 50,000 hours rated LED system life.
- Trim supports a variety of lens /accessory options.
- Intended for Non-IC new construction.
- Frame constructed of 20 ga. aluminum.
- Supplied with 27" long, heavy ga. galvanized steel bar hangers.
- 2/3 Wire dimming available. See options page 1-422.
- Manufactured and built to UL standard No 1598.

Max Ceiling Thickness: 1.5 (38.1 mm)
 Ceiling Cutout: 7 ∅ (177.8 mm ∅)
 Fixture Weight: 5.3 lbs



SERIES	LED	LUMENS	TEMPERATURE	VOLTAGE	OPTIONS	TRIM / FINISH	TRIM OPTIONS
SGE6LED- Spectrum INFINIUM™ 6" LED Downlight	30w	1650	3K -3000 Kelvin (3500K)	E1 -120 Volt	BH6 -Expandable Bar Hangers, 6" - 12" BH12 -Expandable Bar Hangers, 12" - 24" CB24 -C-Channel bars 1-470 FS -Fusing CCEA -Chicago Ceiling Plenum CCEA 1-480 CR -Corrosion Resistant 1-460 PR -Plaster Ring 1-430 TBC -T-bar clips 1-475 EMLED -Emergency Back-up Battery 1-423	AR6454-MW -Matte White (standard) SG -Semi-Diffuse Low Iridescent clear CL -Clear Bright Alzak GO -Gold Alzak HZ -Matte Low Iridescent PW -Pewter Alzak UM -Umber Alzak WE -Wheat Alzak BL -Black Finish PF -Polished Flange BB -Black Micro Baffle WB -White Micro Baffle	GS -Gasket SO -Micro Prism Solite™ lens FG -Frosted Glass
	40w	2100		DIMLED -LED Dimming Module see page 1-422 for options			
SGE6LED	40W		3K	E1	EMLED	AR6454 SG	GS

*Other wattages and Color temps (K°) available. Contact Factory

Dimensions shown are nominal. Spectrum Lighting is continually improving products and reserves the right to make changes that will not alter performance or appearance with or without written notice.



PROJECT:	TYPE:
CAT. NO.:	

