

Discera 4 LED



Project: _____

Type: _____ **Qty:** _____

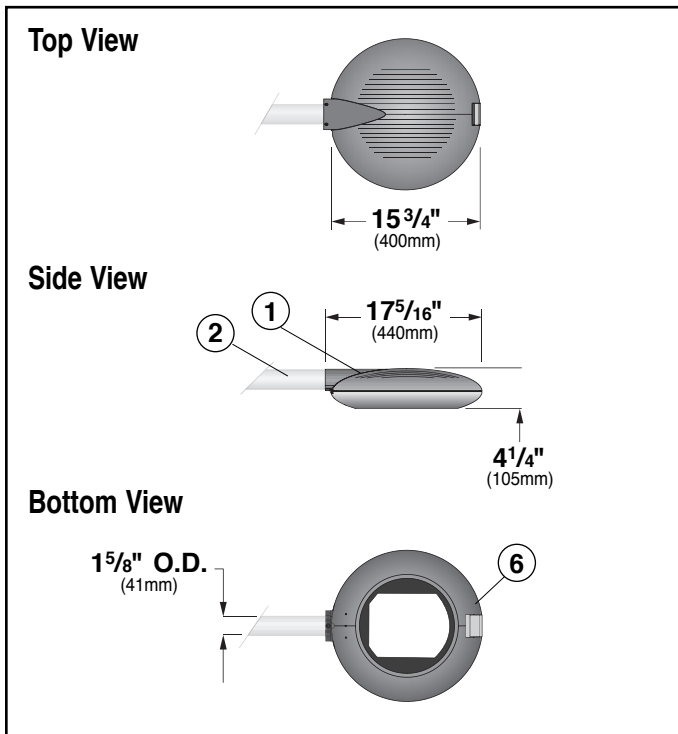
DSC4L	—	L90	—	—	—	—	—	—	—
Series	Mounting	Light Engine	Optics	CCT	Power Cord Length	Finish	Voltage	Options	
—	—	—	—	—	—	—	—	—	—
Options	Options		Pole Series	Height	Finish	Options	Options	Options	

Series	Mounting	Light Engine	Optics	CCT	Power Cord Length	Finish	Voltage	Options
DSC4L Discera 4 LED	S1 Single Short Arm	L90 (30) high flux white LEDs mounted to 5 PC boards	R1 Type I Distribution	35 3500° K	12	WH White	120	HL ³ High-low Switching BL-X ^{2,3} Timer PC Photocell
	S2 Double Short Arm @180°		R2 Type II Distribution	50 5000° K	15	BK Black	208	
	L1 Single Long Arm		R3 Type III Distribution		18	BZ Bronze	230	
	L2 Double Long Arm @180°				20	SV Silver	240	
	SW Short Arm Wall Mount				25	SP Specify Premium Color	277	
LW Long Arm Wall Mount				XX ¹				

¹ Add length of arm and height of pole to determine power cord length

² Luminaire operates at full brightness for X hours, then drops to half brightness

³ Available in 120/230V Only



1. Luminaire Housing - Made from high pressure die-cast, low copper aluminum alloy.

2. Mounting Arm - Welded steel with powder coat finish.

3. Gasketing - (not shown) Silicone gasket provides seal at door and glass opening.

4. Optics - (not shown) Individual precision injection molded lenses consisting of total internal reflection (TIR) collimator and one of 3 precision light shaping lenses. Lenses produce a type I, II, or III distribution. Luminaire is full-cut off and IDA approved™ Dark Sky Friendly.

5. Light Engine - (not shown) Total of 86 watts from (30) High flux LEDs mounted to PC boards and attached to aluminum heat sink for maximum LED performance and life. Complete light engine can be removed for future upgrade. LEDs are driven by class 2 driver. Excellent for cold temperature starting and instant on.

6. Access Door - Lower casting features tempered glass lens and a stainless steel hinge that attaches to upper casting on mounting arm side. Other side is secured with tool-less latch for ease of maintenance.

Exterior Luminaire Finish - SELUX utilizes a high quality Polyester Powder Coating. All SELUX luminaires and poles are finished in our Tiger Drylac certified facility and undergo a five stage intensive pretreatment process where product is thoroughly cleaned, phosphated and sealed. SELUX powder coated products provide excellent salt and humidity resistance as well as ultra violet resistance for color retention. All products are tested in accordance with test specifications for coatings from ASTM and PCI.

Standard exterior colors are White (WH), Black (BK), Bronze (BZ), and Silver (SV). Selux premium colors (SP) are available, please specify from your SELUX color selection guide.

5 Year Limited LED Luminaire Warranty - SELUX offers a 5 Year Limited Warranty to the original purchaser that the Discera LED luminaire shall be free from defects in material and workmanship for up to five (5) years from date of shipment. This limited warranty covers the fixture, LED driver and LEDs when installed and operated according to SELUX' instructions. For details and exclusions, see "SELUX Terms and Condition of Sale".

Listings and Ratings: - I.B.E.W. 363
• NRTL Listed • IP66 Tested to IESNA LM-79-08 and LM-80 test standards at 25° C ambient*

SELUX Corp. © 2011
TEL (845) 691-7723
FAX (845) 691-6749
www.selux.com/usa
DSC4L-0711-01 (ss-V3.92)

NRTL Listed (i.e. UL, CSA)

Union Made Affiliated
with IBEW Local 363



IP66

IK10

Made in the USA

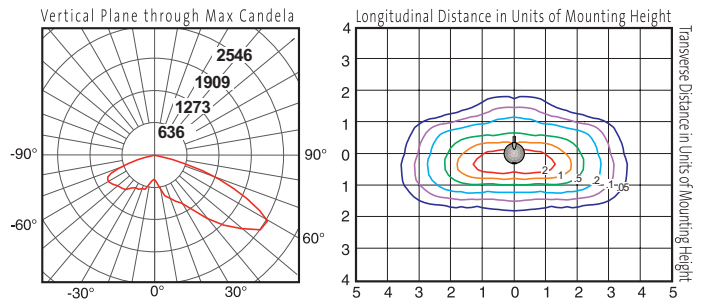
In a continuing effort to offer the best product possible, we reserve the right to change, without notice, specifications or materials that in our opinion will not alter the function of the product. Specification sheets found at www.selux.com/usa are the most recent versions and supersede all other printed or electronic versions.

Photometry

R1 Optics / 90W LED / 5000K CCT
Catalog # DSC4L-1-L90-R1-50
Report # 23471

- Ideal for applications requiring linear distributions.
- Maximum candela of 2546 at 60° from vertical.
- IES classification - Type I Full Cutoff.
- Mounting Height = 16' (4.9 m)
- IDA-Approved™ dark sky friendly.

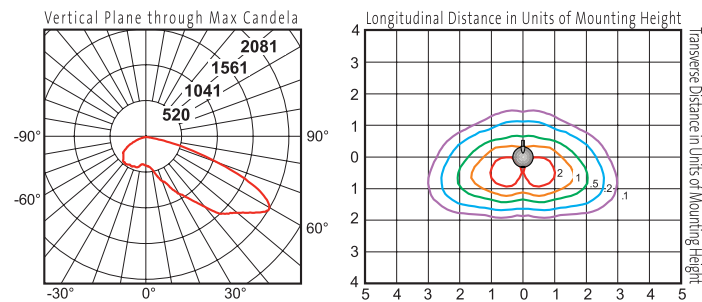
DOWNLOAD IES FILE:
<http://www.selux.com/web/files/exterior/DSCS4L-1-L90-R1-5000K.ies.zip>



R2 Optics / 90W LED / 5000K CCT
Catalog # DSC4L-1-L90-R2-50
Report # 23470

- Ideal for applications requiring linear distributions.
- Maximum candela of 2081 at 60° from vertical.
- IES classification - Type II Full Cutoff.
- Mounting Height = 16' (4.9 m)
- IDA-Approved™ dark sky friendly.

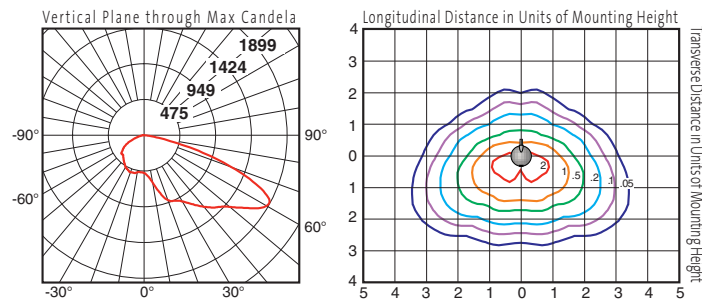
DOWNLOAD IES FILE:
<http://www.selux.com/web/files/exterior/DSCS4L-1-L90-R2-5000K.ies.zip>



R3 Optics / 90W LED / 5000K CCT
Catalog # DSC4L-1-L90-R3-50
Report # 17715

- Ideal for applications demanding max. uniformity.
- Maximum candela of 1899 at 61° from vertical.
- IES classification - Type III Full Cutoff.
- Mounting Height = 16' (4.9 m)
- IDA-Approved™ dark sky friendly.

DOWNLOAD IES FILE:
<http://www.selux.com/web/files/exterior/DSCS-1-L90-R3-50.zip>



Conversion Chart	
Values based on 16' (4.9 m) mounting height.	
Mounting Height	Multiply
10' (3.0 m)	1.27
12' (3.7 m)	1.16
14' (4.3 m)	1.07
16' (4.9 m)	1.00
18' (5.5 m)	0.84

LED Information

(Based on R3 Optics)

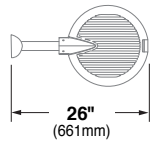
	Design White (5000K)		Neutral White (3500K)	
	Hi-Setting	Low-Setting	Hi-Setting	Low-Setting
Performance				
Delivered Lumens	3464	1631	2771	1305
Wattage	86W	40W	86W	40W
Delivered Lumens per Watt	40	40	32	32
Photometric Performance				
Optics	Lenses		Lenses	
Distribution	Type I, II, III Asym.		Type I, II, III, Asym.	
Dark Sky / Full-Cutoff	Yes		Yes	
LED Specifications				
# of Emitters	30		30	
Color Temperature (CCT)	5000K		3500K	
CCT Range	4600-5600K		3175-3800K	
CRI	70		83	

Discera 4 LED



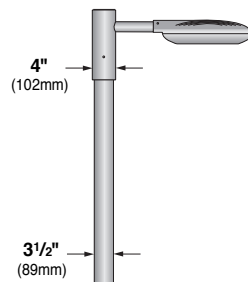
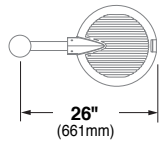
Short Arm Mounting

**SW Short Arm
Wall Mount**



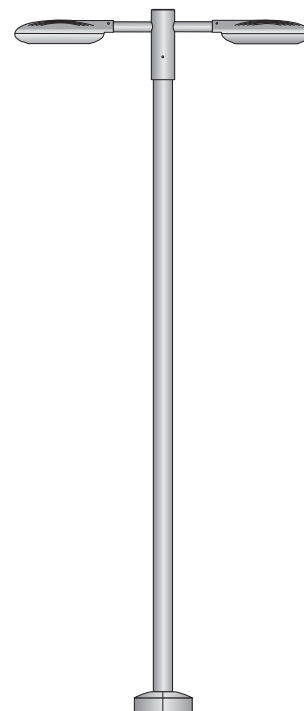
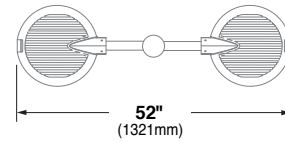
S1 Single Short Arm

EPA= .65 ft2 (.06m2)
Weight= 30lbs. (13kg)



S2 Double Short Arm

EPA= 1.2 ft2 (.10m2)
Weight= 55lbs. (25 kg)

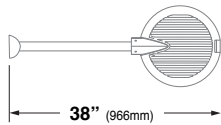


Discera 4 LED



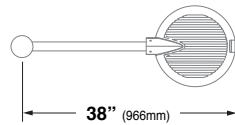
Long Arm Mounting

**LW Wall Mount
Long Arm**



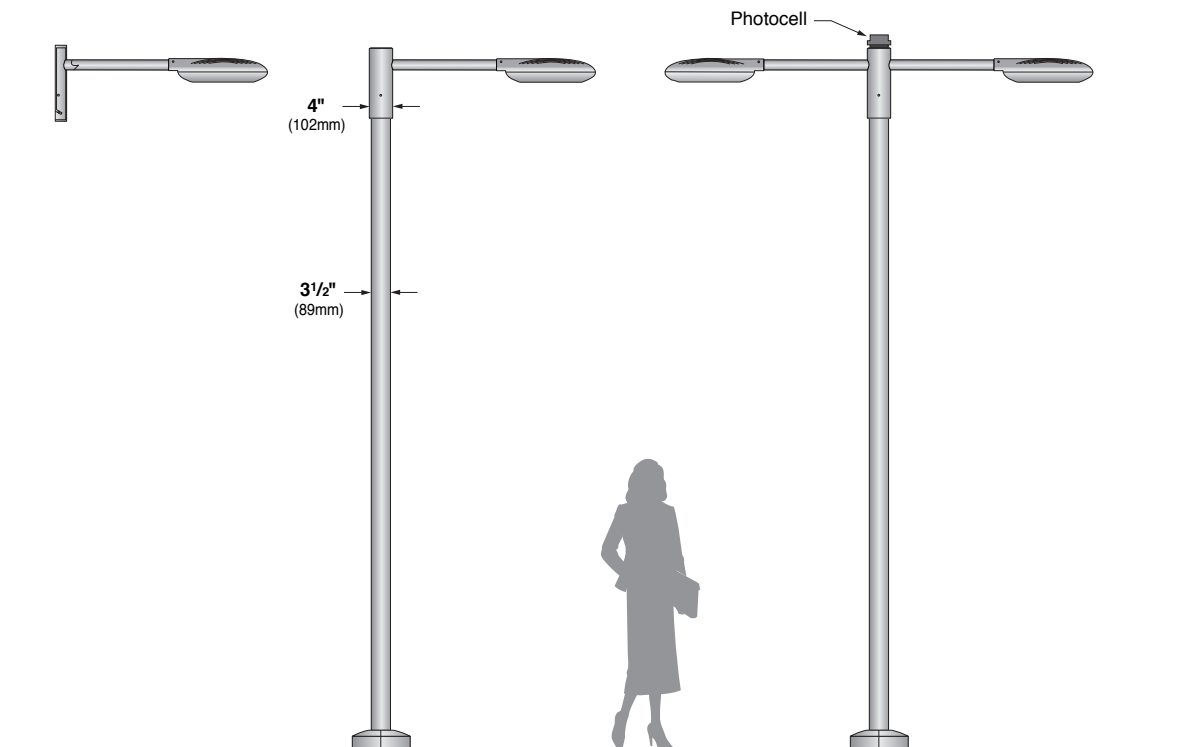
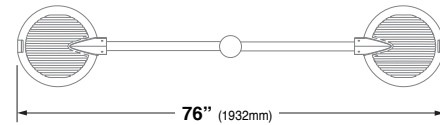
L1 Single Long Arm

EPA= .75 ft² (.07m²)
Weight= 30lbs. (13.5 kg)



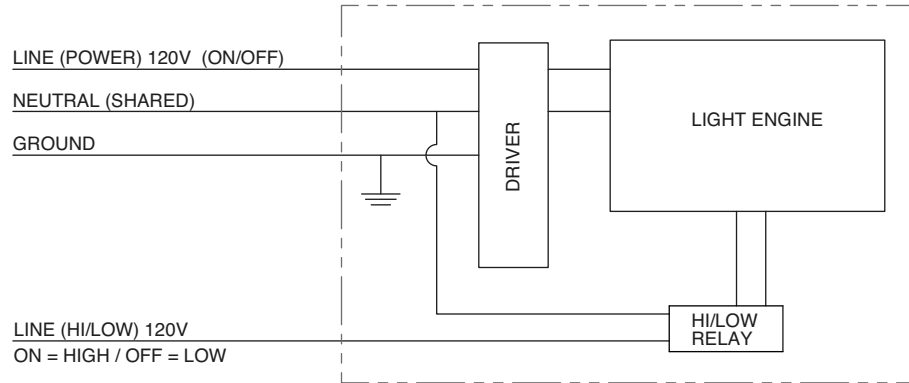
L2 Double Long Arm

EPA= 1.22 ft² (.11m²)
Weight= 56lbs. (25 kg)



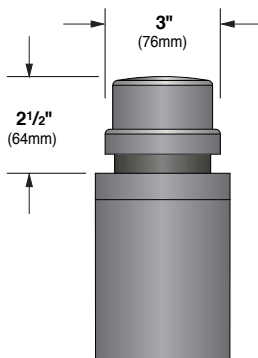
Option Details

Hi-Low Switching - Wiring Diagram



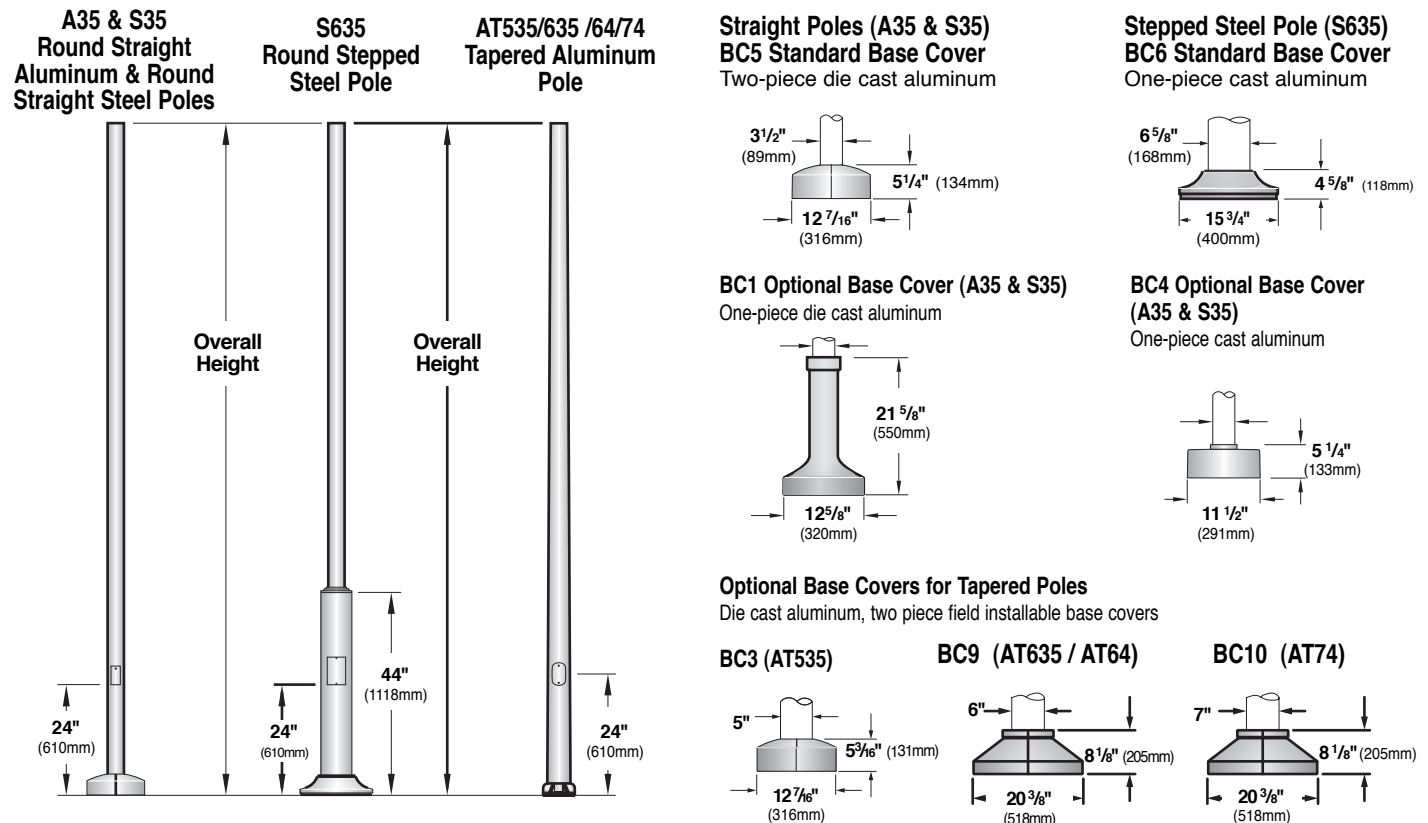
PC (Photocell) Detail

Note: Photocell is available for all pole and arm mounting configurations except Direct Mount.



Pole Information

Refer to A35, S635, S35, AT535/635 and AT64/74 Pole specification sheets for construction details, anchorage information and additional options.



Pole Series	Bolt Circle	EPA Information (ft2)					Height	Finish	Options
		70 mph	80 mph	90 mph	100 mph	110 mph			
S635 3 1/2" Diameter Stepped Steel Pole	9"	45.6	35.0	27.3	21.6	17.8	10 10 ft.	WH White	BC1 Die Cast Base Cover (A35 & S35 poles only)
A35 3 1/2" Dia. Straight Aluminum Pole	7 3/4"	12.4	9.3	7.1	5.4	4.3			
S35 3 1/2" Diameter Straight Steel Pole	7 3/4"	11.4	8.6	6.5	4.9	3.9			
S635 3 1/2" Diameter Stepped Steel Pole	9"	37.6	28.7	22.3	17.5	14.4	12 12 ft.	BK Black	BC4 Cast Base Cover (A35 & S35 poles only)
A35 3 1/2" Dia. Straight Aluminum Pole	7 3/4"	9.9	7.3	5.4	4.0	3.1			
S35 3 1/2" Diameter Straight Steel Pole	7 3/4"	9.1	6.7	4.9	3.6	2.8			
AT535 5" to 3 1/2" Tapered Aluminum Pole	8 1/2"	19.4	14.4	10.9	8.6	6.9	14 14 ft.	BZ Bronze	BC3 Die Cast Base Cover (for AT535 poles only)
S635 3 1/2" Diameter Stepped Steel Pole	9"	31.7	24.2	18.6	14.6	11.9			
A35 3 1/2" Dia. Straight Aluminum Pole	7 3/4"	8.0	5.8	4.2	3.0	2.2			
S35 3 1/2" Diameter Straight Steel Pole	7 3/4"	7.3	5.3	3.8	2.7	1.9	16 16 ft.	SV Silver	BC9 Die Cast Base Cover (for AT64 poles only)
AT535 5" to 3 1/2" Tapered Aluminum Pole	8 1/2"	12.9	9.4	7.1	5.5	4.4			
S635 3 1/2" Diameter Stepped Steel Pole	9"	21.7	15.8	12.3	9.6	7.6			
A35 3 1/2" Dia. Straight Aluminum Pole	7 3/4"	4.9	3.2	2.2	1.4	0.8	18 18 ft.	SP Specify Premium Color	BC10 Die Cast Base Cover (for AT74 poles only)
S35 3 1/2" Diameter Straight Steel Pole	7 3/4"	4.4	2.8	1.9	1.2	0.6			
AT535 5" to 3 1/2" Tapered Aluminum Pole	8 1/2"	10.7	7.7	5.6	4.2	3.3			
AT64 6" to 4" Tapered Aluminum Pole	9 3/4"	15.7	11.5	8.7	6.9	5.5	20 20 ft.	REC GFCI Receptacle with weather-proof cover*	T35 3 1/2" Tennon (required for AT64 and AT74 poles for arm mounting)
AT64 6" to 4" Tapered Aluminum Pole	9 3/4"	13.5	9.6	7.1	5.6	4.4			
AT74 7" to 4" Tapered Aluminum Pole	10 1/2"	20.3	15.0	11.4	9.0	7.3			

Other pole configurations available, consult factory. Allowable EPA Calculated according to AASHTO 94 and include allowance for 1.3 gust factor. See Mounting Configuration Pages for fixture, arm weight and EPA values.