



FEATURES & SPECIFICATIONS

INTENDED USE

Suitable for applications requiring both exit sign and unit equipment. Attractive, less than 10 inches tall, streamlined design is great for above-the-door applications and other tight fits. High-output version with remote lamps are ideal for outdoor emergency egress lighting.

CONSTRUCTION

Engineering-grade thermoplastic housing is impact-resistant, scratch-resistant and corrosion-proof. UL94V-0 flame rating. UV-stable white resin resists discoloration from natural and man-made light sources.

Rugged unibody housing snaps together with no additional fasteners. Faceplate and back cover are interchangeable on housing. Positive snap-fit tabs hold faceplate securely, yet are easily removable for lamp compartment access. Universal, directional chevron inserts are easily removed and reinserted.

Two 5.4W T-5 wedge-base krypton lamps with multi-faceted reflector and acrylic lenses provide superior optical control. Unique swivel-and-point arrangement permits full-range adjustment in lamp head direction.

Uniform graphics illumination without shadows or hot spots. Letters 6" high with 3/4" stroke.

Special wording available with Panel Face in red lettering only. Consult factory.

U.S. Patent No. D484,272, 5,526,251, 5,611,163, 5,797,673, 5,954,423, 6,142,648 and 6,848,798. Canada Patent No. 80,141, 2,180,495.

OPTICS

LED life exceeds 25 years, based on continuous operation. Low energy consumption — **only 3.3 watts.**

ELECTRICAL

Custom microchip charger, developed by Lithonia Emergency Systems, provides increased reliability and maximizes battery life. AC/LVD reset allows battery connection before AC power is applied and prevents battery damage from deep discharge.

Two-rate regulated charger minimizes energy consumption and provides low operating costs. Filtered charger output minimizes charge voltage ripple and extends battery life. Thermal protection senses circuitry temperature and adjusts charge current to prevent overheating and charger failure. Current-limiting charger circuitry protects printed circuit boards from shorts.

Brownout protection.

BATTERY: Sealed, maintenance-free lead-calcium battery delivers 90 minutes capacity to emergency lamps. Automatic recharge after 90-minute discharge. Test switch and LED provide visual and manual means of monitoring system operation. Slip-on battery terminals and polarized battery connector simplify installation

Catalog Number	
Notes	Type



Thermoplastic Exit/Unit Combo

LHQM

LED Lamps



and maintenance. Optional high-output battery (HO) to power up to 6-volt, 12-watt remote load. See chart on back for details.

INSTALLATION

Top, end or back mounting. Housing snaps to canopy with four positive-locking tabs. Cam locking pin secures housing to canopy.

Easily removed mounting knockouts. Conduit entry knockout for 1/2" flexible conduit. J-box pattern on back panel.

LISTING

UL listed. Meets UL 924, NFPA 101 (current Life Safety Code), NEC and OSHA illumination standards. Damp location (10°-40°C) standard.

WARRANTY

Three-year warranty (five-year for nickel-cadmium battery) including LED lamps.

ORDERING INFORMATION

For shortest lead times, configure product using **standard options (shown in bold)**.

Example: LHQM S W 3 R

LHQM		3			
Family	Face type	Housing color	Number of faces	Letter color	Options
LHQM LED type, two external lamp heads	S Stencil P Panel ¹	(blank) Black W White	3 Single face with extra faceplate and color panel	R Red G Green	(blank) None N Maintenance-free nickel-cadmium battery ² HO High-output lead-calcium battery ³ HO RO High-output lead-calcium battery, less lamp heads ⁴

Accessories

Order as separate items.

ELA MR24 K0606	Compact MR24 remote head (6W, 6V)
ELA MR24 H0606	Compact MR24 remote head (6W, 6V halogen)
ELA NX H0606	NEMA 4X, sealed-beam remote fixture (6V,6W halogen)
ELA WG3	Wireguard (back mount only)

NOTES:

- Limited offering. Available in white housing with red letters only. Not available with options. Consult factory for additional details.
- Not available with any other options.
- Not available with nickel-cadmium battery option.
- Not available with nickel-cadmium option.

LHQM QUANTUM® LED Exit/Unit Combo

SPECIFICATIONS

ELECTRICAL

Primary Circuit

	Rated LED life	Supply voltage	Max. amps	Max. watts
	25+	120	.23	3.3
Red & Green LED	years	277	.23	3.3

BATTERY

	Voltage	Shelf life ²	Expected life ²	Maintenance	Optimum temperature ⁴
Lead-calcium	6	12 months	5-8 years	none ³	60°-90°F
Ni-cad (N)	6	3 years	7-9 years	none ³	32°-100°F

Notes:

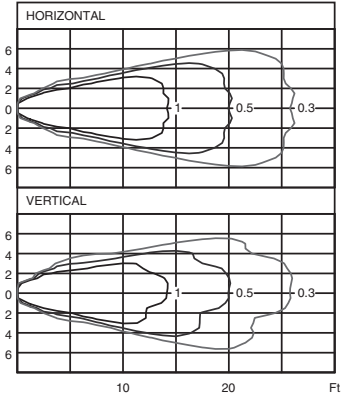
- 1 Based on continuous operation.
- 2 At 77°F.
- 3 All life safety equipment, including emergency lighting for path of egress must be maintained, serviced, and tested in accordance with all National Fire Protection Association (NFPA) and local codes. Failure to perform the required maintenance, service, or testing could jeopardize the safety of occupants and will void all warranties.
- 4 Optimum ambient temperature range where unit will provide capacity for 90 minutes. Higher and lower temperatures affect life and capacity. Consult factory for detailed information.

REMOTE OUTPUT CAPACITY

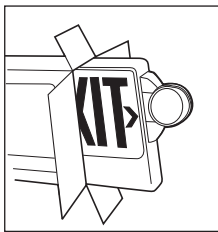
	Combo \ ni-cad battery (N)	Combo \ high-output battery (HO)	Combo \ no heads (RO) & high-output
Standard	NA	12W	24W

PHOTOMETRICS

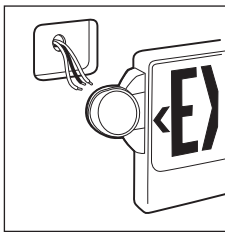
MR24 K0606
6-volts, 5.4-watts krypton



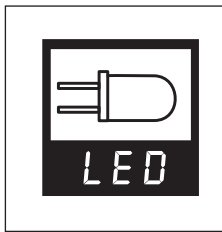
KEY FEATURES



Fully assembled at factory.



Install only one fixture instead of two.

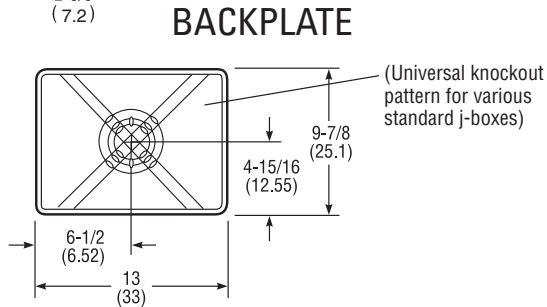
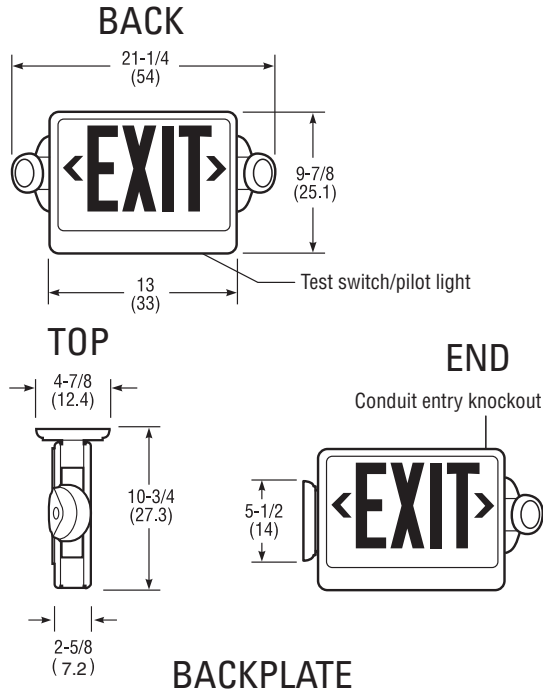


Unique LEDs provide extremely long life and low energy consumption.

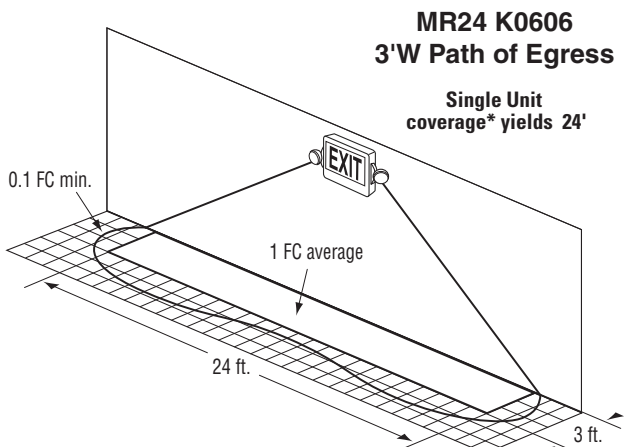
MOUNTING

All dimensions are inches (centimeters).

Shipping weight: 7.36 lbs. (3.3 kgs.).



FIXTURE PERFORMANCE



* Meets Life Safety Code standard minimum illuminance of 0.1 FC and average illuminance of 1.0 FC. Assumes open space with no obstructions, mounting height: 7.5', ceiling height: 9', and reflectances: 80/50/20. Analysis based on independently tested photometrics.

