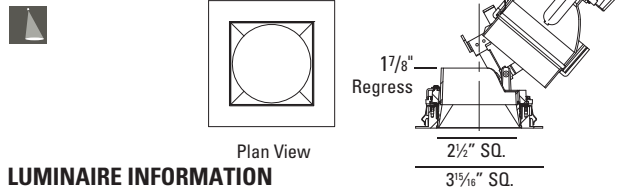
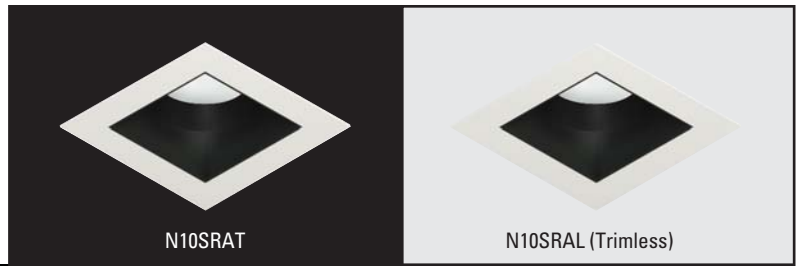


NANOLUMEN®

40° Adjustable Trim Square
17/8" Regress - Round Optical Aperture



N10SRAT / N10SRAL



LUMINAIRE INFORMATION

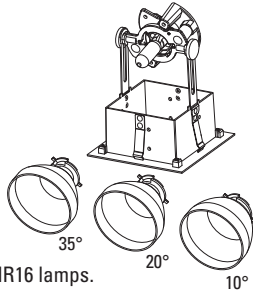
APPLICATION:

Accent luminaire for Residential, Commercial, Retail or Hospitality environments.

MATERIALS:

Trim: Precision die cast body with durable UV-stabilized powder coating.

Reflector: Twist and lock interchangeable reflector system allows for flexibility while maintaining design consistency. Spun and faceted aluminum, Available in 10°, 20° and 35° distribution. Reflector not available in MR16 & MHMR16 lamps.



Trim Lens: Solite is standard unless option is specified.

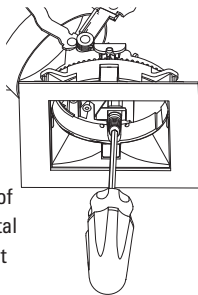
Baffle Options: High temperature nylon.

BM - Black Matte Baffle

WM - White Matte Baffle

ADJUSTMENT:

True Hot Aiming with center beam optics is adjustable with 1/8" Allen screw driver. Simple recessed angled screws enable adjustment of vertical aiming and horizontal rotation from below, without trim removal. 362° locking horizontal rotation, with 0° - 40° locking vertical tilt.



LAMP: (not included)

Captive lamp assembly rotates to provide easy access for relamping, without separating components.

20W T4.5 G8.5

39W T4.5 G8.5

70W T4.5 G8.5

20W T4 GU6.5

39W T4 GU6.5

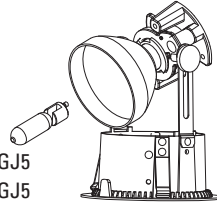
22W CDM-Tm PGJ5

39W CDM-Tm PGJ5

20W MHMR16 GX10

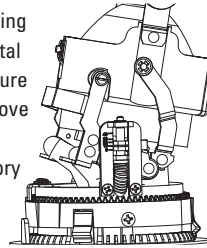
39W MHMR16 GX10

71W MR16 GU5.3 max.



AIMING MEMORY FEATURE:

Unique patent-pending vertical and horizontal aiming memory feature allows users to remove trim for relamping, reflector or accessory change without disturbing the set and locked lamp position. Trim is also keyed to housing to maintain aiming position after lamping.



CEILING CUT OUT:

3 1/2" x 3 1/2"

LISTINGS:

Dry/Damp

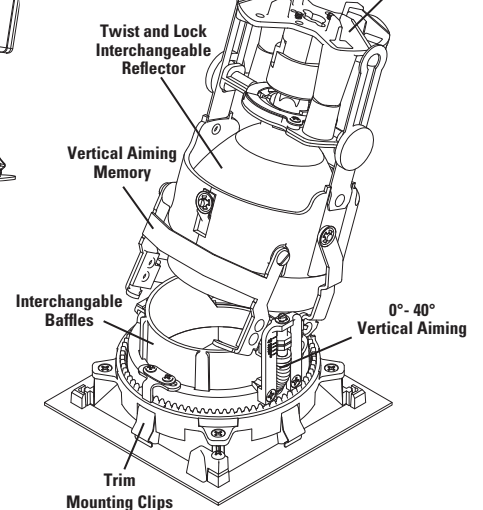


IBEW union made.

NOTES:

- Maximum ceiling thickness up to 1 1/2" See housing matrix on back for exceptions.
- Maximum 2 lens options in MR16 and MHMR16, all other lamps Max. 3 lens options.
- Housing included with trim.
- Not available for use with ES16 lamps.
- Trimless for drywall installation only
- Trimless not available in acoustical ceilings.

ADJUSTABLE TRIM FEATURES



HOW TO SPECIFY

Trim	Baffle Options	Lamp / Wattage	Reflector	Trim Finish	Optional Trim Lens	Housing	Voltage	Accessories
(Trim) N10SRAT	BM - Black Matte Baffle	G852 - 20W T4.5	RNT410 - 10° Distribution	10 - White	B - Frosted Borosilicate	NC61	120V	CB27 - 27" C-Channel
(Trimless) N10SRAL	WM - White Matte Baffle	G853 - 39W T4.5	RNT420 - 20° Distribution	21 - Black	F - Frosted	NC63	277V	CB52 - 52" C-Channel
		G857 - 70W T4.5	RNT435 - 35° Distribution	28 - Metalized Grey	L - Linear Spread	NC65		ER - Emergency Relay (MR16)
		GU652 - 20W T4	Reflectors not available in MR16 and MHMR16 lamps.	RAL - Special Color	P - Prismatic Spread	NC71		DIM1MH - MH 0-10V Dimming Ballast
		GU653 - 39W T4			U - Optivex Anti UV	NC73		ARK1 - Bodine Arc Keeper MH Emergency
		PGJ52 - 22W CDM-Tm			LPL - Linear Parallel Lens (to Vertical Tilt)	NC75		LP - MH Lamps (Consult factory)
		PGJ53 - 39W CDM-Tm			LPR - Linear Perpendicular (to Vertical Tilt)	IC1		
		GX102 - 20W MHMR16				IC3		
		GX103 - 39W MHMR16				IC5		
		GU537 - 71W MR16 max.						

HOUSING DETAILS on reverse side

NANOLUMEN®

Housings for use with Nano Lumen Adjustable Trims - Square

NC61, NC63, NC65
NC71, NC73, NC75
IC1, IC3, IC5

HOUSING FEATURES

- Easy adjustment aperture plate that allows ceiling thickness adjustment from 7/8" to 1 1/2".
See housing matrix for details.
- Patent pending "Slide & Replace" easy ballast replacement.
- Quick connectors on all wire connections.
- Universal housing style allows the ability to swap trim styles between Downlight, Adjustable and Wall Wash.
See Plug-and-Play limitations on matrix below.
- Fabricated of 20 ga. black powder coated steel with thru wire J-box, 2 in 2 out at min. 90°C, #12 AGW thru branch circuit wiring.

TRANSFORMER: (MR16 Lamps)

Low voltage solid state electronic. Note: Due to transformer / dimmer match some dimmers may cause transformer hum. Check with dimmer manufacturer for suitability.

BALLAST: (MH Lamps)

Solid state electronic. Dimming option 0-10V down to 50%.

VOLTAGE:

Specify 120V or 277V.

CEILING CUT OUT:

3 1/2" x 3 1/2"

LISTINGS:

Dry/Damp



IBEW union made.

NOTES:

- Maximum ceiling thickness 1 1/2".
See matrix for ceiling thickness options.
- Housing included with trim.
- Trimless for drywall installation only
- Trimless not available in acoustical ceilings.

HOUSING INFORMATION - See limitations below

New Construction - All lamps except T4.5

NC61 - DL / ADJ / WW
(Max. Ceiling Thickness - 7/8")

NC63 - DL / ADJ 30° / WW
(Max. Ceiling Thickness - 1 1/4")

NC65 - DL / ADJ 20°
(Max. Ceiling Thickness - 1 1/2")

New Construction - T4.5 lamps only

NC71 - DL / ADJ / WW
(Max. Ceiling Thickness - 7/8")

NC73 - DL / ADJ 30° / WW
(Max. Ceiling Thickness - 1 1/4")

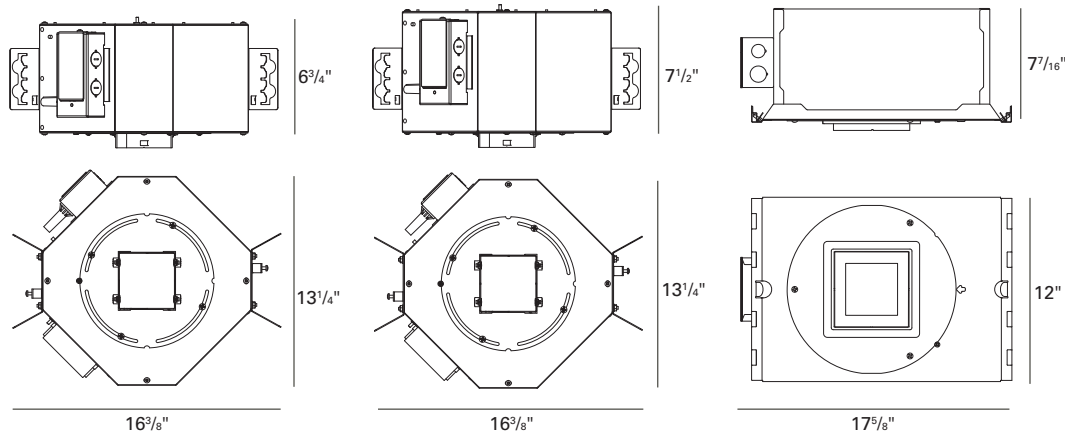
NC75 - DL / ADJ 20°
(Max. Ceiling Thickness - 1 1/2")

IC / Airtight - 50W max. MR16 only

IC1 - DL / ADJ / WW
(Max. Ceiling Thickness - 7/8")

IC3 - DL / ADJ 30° / WW
(Max. Ceiling Thickness - 1 1/4")

IC5 - DL / ADJ 20°
(Max. Ceiling Thickness - 1 1/2")



Order housings with trims on reverse side.