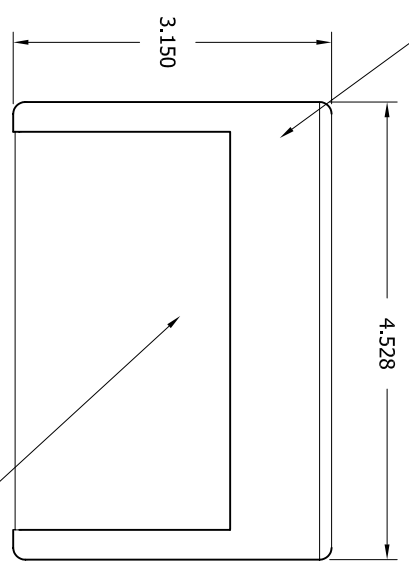
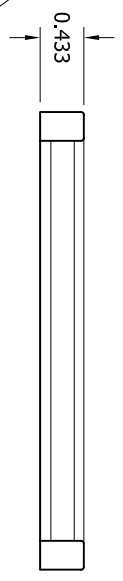
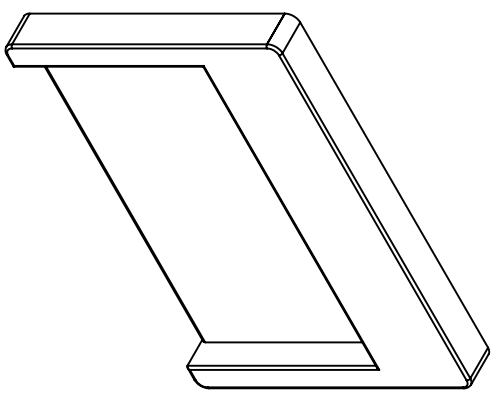


FIXTURE PART NUMBERS:
 U1029400 - 1 COOL WHITE LED 1x3.5w/24v dc
 U1029500 - 1 WARM WHITE LED 1x3.5w/24v dc

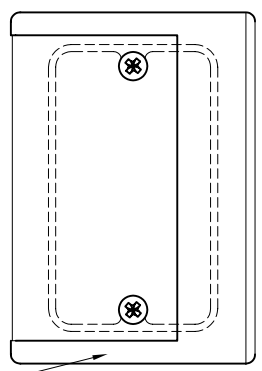
DIE-CAST ALUMINIUM STRUCTURE WITH MOULDED POLYCARBONATE EMITTING UNIT AND POLISHED ALUMINIUM FRAME FIXED BY DOUBLE-SIDED TAPE



3.5w/24vdc LED MODULE

- COLORS:
- .1 - WHITE
 - .2 - ALUMINIUM
 - .3 - ANTHRACITE
 - .4 - BLACK
 - .9 - RUST RED

NOTE: ADD TO END OF FIXTURE NUMBER

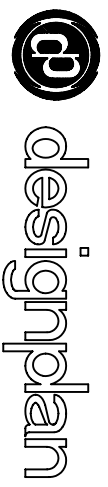


MOUNTS DIRECTLY TO RECESSED SWITCH BOX MOUNTED SIDEWAYS

AVAILABLE REMOTE DRIVERS (order seperately)

PART #	DESCRIPTION	# OF FIXTURES
PPLT00090	90-265v AC TD 24v DC 60w	13
PPLT00086	90-265v AC TD 24v DC 100w	22
PPLT00093	120-277v AC TD 24v DC 100w	22
PPLT00087	90-265v AC TD 24v DC 300w	22x3

CSA LISTED



TRIXIE LED

- NOTES:
1. IT IS THE CONTRACTORS RESPONSIBILITY TO SUPPLY AND INSTALL SUITABLE MOUNTING METHOD
 2. FIXTURE IS IP65 RATED.
 3. DRAWING IS SUBJECT TO CHANGE.

THIS PRINT IS THE PROPERTY OF designplan Lighting AND IS ISSUED UPON EXPRESS CONDITION THAT IT WILL NOT BE USED DIRECTLY, OR INDIRECTLY, IN ANYWAY DETRIMENTAL TO OUR INTERESTS AND THAT IT WILL NOT BE DISCLOSED TO A THIRD PARTY WITHOUT THE PRIOR WRITTEN CONSENT OF designplan Lighting

Title:		TRIXIE LED	
Drawn By:	MRF	Date:	3/17/10
Sheet	1 OF 1	Scale:	1:1
Dwg. No.	TRIXIE LED		Rev.