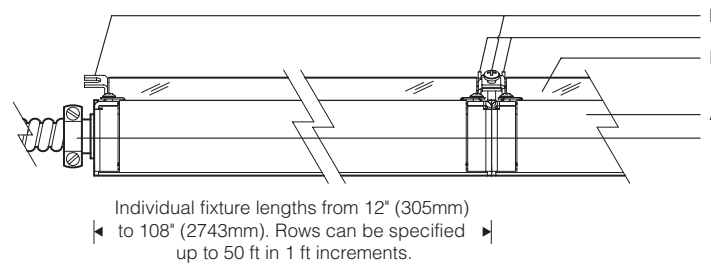
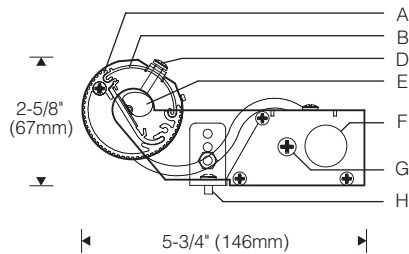
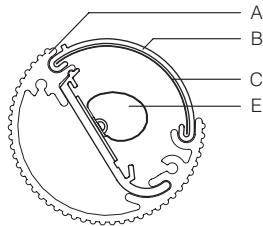


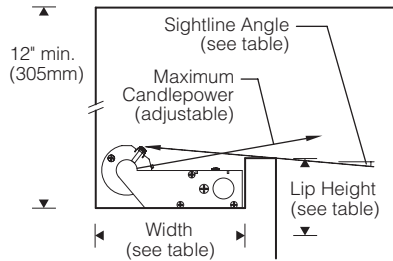
Style S305 1:4 Scale



Optical Assembly 1:2 Scale



Cove 1:8 Scale



Cove Dimensions

(max. candlepower aimed 15° above horiz.)

Sightline	0° (horiz. cutoff)	5°	10°
Width (inside)	6-1/4" (159mm)	6" (153mm)	6" (153mm)
Lip (inside)	2-5/8" (67mm)	2-1/4" (57mm)	1-7/8" (47mm)

Note: Finish interior of cove matte white for best results.

Specifications

- A** Extruded aluminum heat sink/housing
- B** Impact-resistant extruded lens
- C** Holographic diffuser
- D** Rotation locking tab/screw
- E** Removable light engine assembly with fraqtir™ acrylic refractor
- F** Conduit entry (one each end, conduit and connector by others)
- G** Driver/housing joiner screw
- H** Aluminum side arm with adjustable mounting tab (fasteners by others)
- I** Stainless steel end plates with rotation stop

Optic Assembly:

Two-piece extruded aluminum heat sink/optic housing. Exterior heat sink anodized for maximum emissivity. Removable interior extrusion treated to maximize thermal conductivity. Precision formed asymmetric optical light bar of high temperature, water-clear acrylic. Extruded impact resistant, high temperature, acrylic outer protective lens. Elliptical distribution holographic diffuser captured within outer protective lens, maximizes lateral distribution without disturbing asymmetric forward throw.

Finish:

Side arms and driver compartment – mill finish aluminum. All hardware – stainless steel.

Mounting:

Lay-in installation, side arms with mounting tabs can be base or wall mounted (fasteners by others). Luminaires can be mounted individually or joined together to form a continuous row. Optical assembly aiming is adjustable and is fixed in position by rotation locking screws at each side arm. When mounted in a continuous row, assemblies lock together allowing all in the row to be aimed together.

Electrical:

Use 90°C wire for supply connections.

Integral electronic Class II driver. Driver/wireway compartment includes one conduit entry at each end. Channel cover is removable for access to driver and wiring. Luminaires may be butted end-to-end (connectors by others) for through wiring. Optional #12 AWG prewired modular through wiring with quick connectors. Optional electronic dimming driver, compatible dimming controls (by others). See website for dimming compatibility and specifications.

Standard:

UL listed or CSA certified for dry locations.

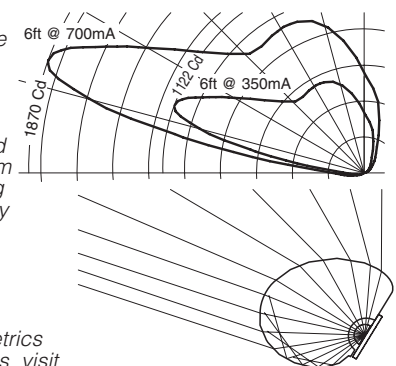
Features

- fraqtir™ technology – combines several principles of refraction, including TIR, for precise asymmetric optical control
- Wide lateral distribution – no socket shadows
- Fully adjustable and lockable optic assembly
- Easily serviced – LED light engine assembly can be removed for service/upgrade



Performance

fraqtir™ technology uses multiple refractive surfaces and total internal reflections to drive light across the ceiling from one edge. Glare is minimized and asymmetry of the beam is maximized, resulting in high beam efficiency and superior surface uniformity.



For complete photometrics including LM-79 results, visit [thelightingquotient.com](http://thelightingquotient.com)

Cradle to Cradle Certified™ is a certification mark licensed by the Cradle to Cradle Products Innovation Institute.

fraqtir™ shaping LED science™

