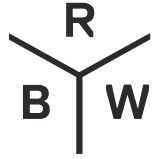


# Latis Square

Pendants



50 Greene St  
New York NY 10013  
T +1 212 388 1621  
sales@rbw.com



For 2D & 3D drawings of all products, including CAD, Revit and IES files, please visit [rbw.com](http://rbw.com)

Generate Date: Tue Jan 04 2022

**DESCRIPTION**

Engineered with versatility in mind, Latis's intelligent, fail-safe design easily adapts to a wide range of spaces, looks, and architectural conditions. Evocative of a structural I-beam, its deceptively minimalist profile packs robust performance capabilities into RBW's new optic platform.

**MATERIALS**

Extruded aluminum, extruded acrylic lens

**COLLECTION NOTES**

In addition to the (2) fixed hang points, each linear run comes with (1) flexible, sliding hang point. Please let your sales rep know if your project requires additional sliding hang points.

Looking for higher lumen output? We are happy to discuss how we can meet your project needs.

For pricing on large quantity orders, please contact [sales@rbw.com](mailto:sales@rbw.com).

**PERFORMANCE**

4' by 4': 11,400 lm | 4' by 8': 17,100 lm | 8' by 8': 22,800 lm

Power Consumption 4' by 4': 144W | 4' by 8': 216W | 8' by 8': 288W

Luminaire Watts 4' by 4': 144W | 4' by 8': 216W | 8' by 8': 288W

78.7 lm/W

90 CRI

**LED LIFESPAN**

50k hours

**PATENT FILE NUMBER**

Patent Number 202015830, 008211791-0001, GB90082117910001

**CERTIFICATION**

UL Listed



**SUSPENSION**

White 5" round flat canopy per linear unit

Standard 72" cable. Standard Hang Height 66". Minimum Hang Height 6"

Cable extension available (up to 150"). Field trimmable

**PRODUCT DIMENSIONS**

Dimensions vary for this Product. Please refer to tear sheet dimension drawing.

**PRODUCT WEIGHT**

30.8 lbs / 14 kg

**DIMENSIONAL WEIGHT**

Dimensional weight pending

---

**YOUR PRODUCT CODE**

LS4- [ ] - [ ] - [ ] - [ ] - [ ] - [ ] - [ ] - [ ] - [ ] - [ ]

---

Specification Logic

**SIZE**

---

4' by 4'	44
4' by 8'	48
8' by 8'	88

**PRIMARY FINISH**

---

Natural Anodized	AA01
Black Anodized	AA04
Blue Anodized	AA07
Matte White	PC20
Chalk Pink	PC60
Custom Powder Coat	PCXX

**DIRECT LIGHT**

---

Asymmetric	DASY
Diffuse Lens	DDIF
Narrow Beam	DNB
No Direct	DNO

**INDIRECT LIGHT**

---

Asymmetric	IASY
140 Batwing	IBAT
Diffuse Lens	IDIF
Narrow Beam	INB
No Indirect	INO

**COLOR TEMPERATURE**

---

2700K (warm white)	27
3000K (soft white)	30
3500K (neutral white)	35
4000K (cool white)	40

**INPUT / CONTROL / POWER**

---

110-277V Input 0-10V, 1% dimming	277_10_DIN
110-277V Input Dali, 0.1% dimming	277_DL_DIN

**SENSOR**

---

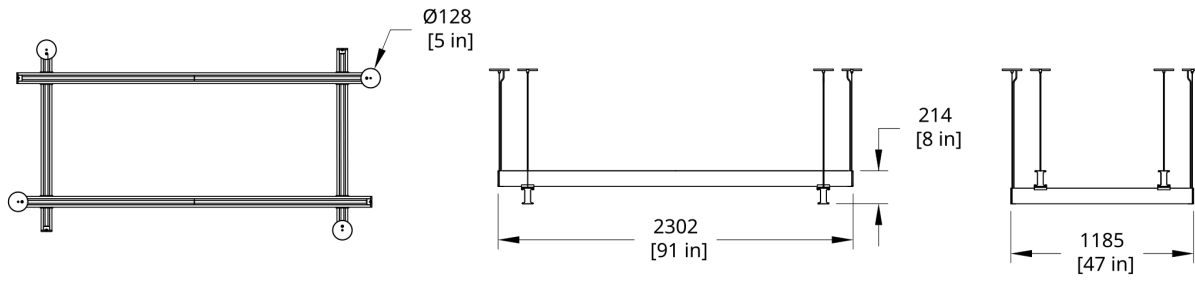
Integrated Enlighted Sensor (Need consultation with lighting designer)

ENL

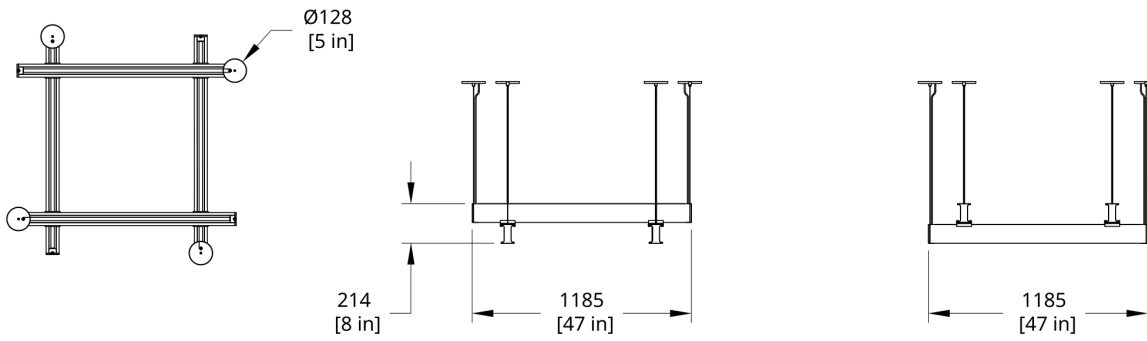
Without Sensor

NO\_S

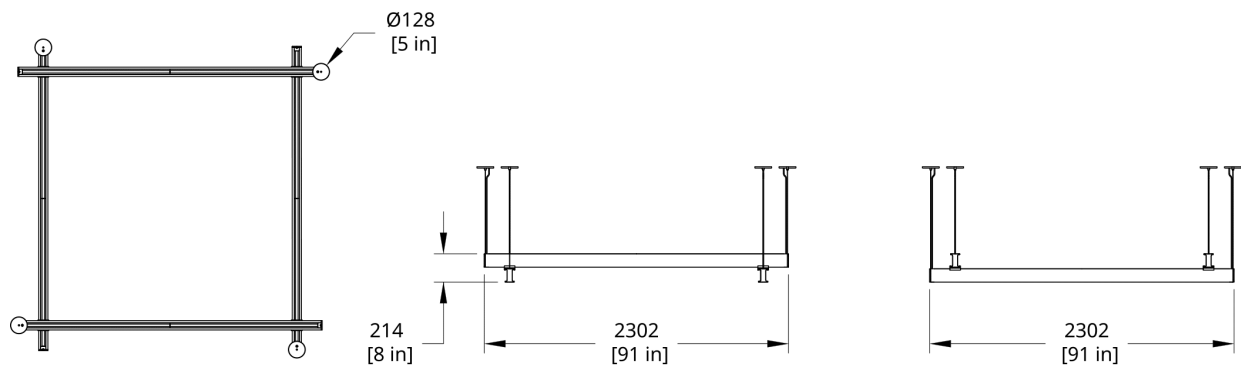
Drawings



LS4-48 Latis 4'x8' Rectangle Dimension



LS4-44 Latis 4' Square Dimension



LS4-88 Latis 8' Square Dimension