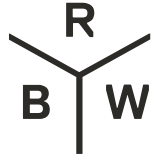


Hoist Pendant



Pendants

50 Greene St
New York NY 10013
T +1 212 388 1621
sales@rbw.com



For 2D & 3D drawings of all products, including CAD, Revit and IES files, please visit rbw.com

Generate Date: Mon Jan 03 2022

DESCRIPTION

Waterproof, minimalist, and available in a colorful variety of finishes, Hoist goes just about anywhere: indoors or outdoors, as a wall-mount or a pendant. With a range of sizes for its circular shade, make a statement large or small.

MATERIALS

Opal blown glass, spun steel.

COLLECTION NOTES

Cord grippers are sold as additional accessory items allowing you to swag the pendant to your desired install location.

PERFORMANCE

590 luminaire lumens

Power Consumption 9W

Luminaire Watts 9W

70lm/W

90 CRI

LED LIFESPAN

50K hours

PATENT FILE NUMBER

Patent Number D861,955

CERTIFICATION

UL Listed

Suitable for Wet Locations

IP65

**SUSPENSION**

5" round flat canopy comes in the same finish as pendant

Standard 192" black cord with a plug. Recommended Hang Height 66". Minimum Hang Height 6"

Cord can be swagged using cable grips (add-on). Not field trimmable. (Contact your sales rep for more info)

Generate Date: Mon Jan 03 2022

PRODUCT DIMENSIONS

Small Shade 8" dia x 4" depth | Medium Shade 14" dia x 4" depth | Large Shade 21" dia x 4" depth. Please note the Large Glass has a 6" depth.

PRODUCT WEIGHT

2.5 lbs / 1.14 kg

DIMENSIONAL WEIGHT

Bare 3 lbs | Small 6 lbs | Medium 8 lbs | Large 14 lbs

YOUR PRODUCT CODE

HP- [] - [] - [] - [] - [] - [] - [] - []

Specification Logic

SHADE

| | |
|------------------|----|
| No Shade | 0 |
| Small Shade 8" | 8 |
| Medium Shade 14" | 14 |
| Large Shade 21" | 21 |

GLOBE

| | |
|-------------|---|
| Small Glass | A |
| Large Glass | B |

SHADE FINISH

| | |
|--------------------------|------|
| Cream White | PC24 |
| Matte Black Fine Texture | PC30 |
| Blue Gloss | PC36 |
| Vermilion Red | PC42 |
| Custom Powder Coat | PCXX |

COLOR TEMPERATURE

| | |
|-----------------------|----|
| 2700K (warm white) | 27 |
| 3000K (soft white) | 30 |
| 3500K (neutral white) | 35 |

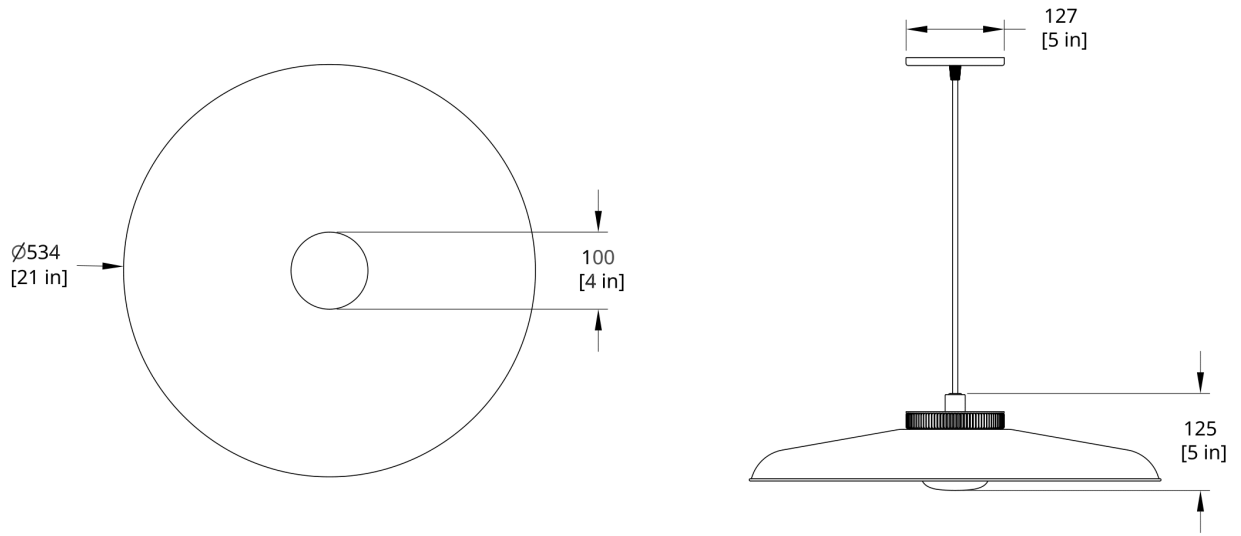
INPUT / CONTROL / POWER

| | |
|--|-------------|
| 110-120V Input TRIAC / ELV / 0-10V, 1% Dimming | 120_TM_DEX |
| 110-120V Input TRIAC Control 10% Dimming | 120_TR_LINE |
| 220-240V Input 0-10V, 1% Dimming | 220_10_DEX |
| 220-240V Input ELV Reverse Phase, 1% Dimming | 220_ELV_DEX |
| 220-240V Input TRIAC / Forward Phase, 1% Dimming | 220_TR_DEX |
| 110-277V Input 0-10V, 0.1% Dimming | 277_10_DEX |
| 110-277V Input DALI, 0.1% Dimming | 277_DL_DEX |

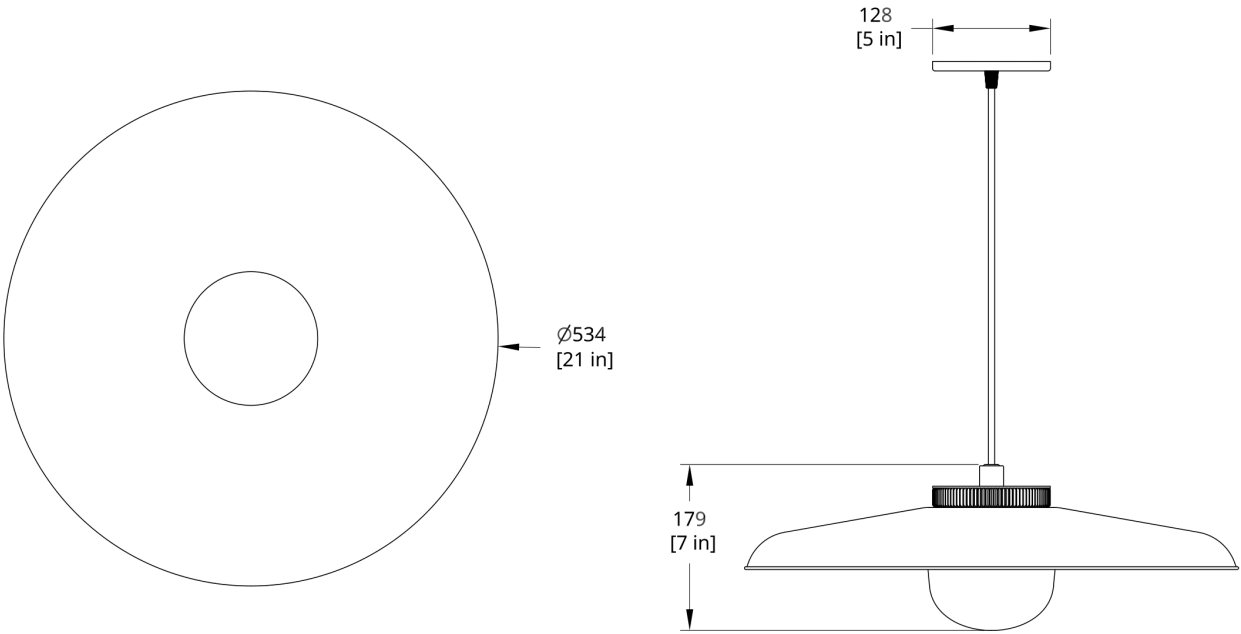
IP RATING

| | |
|------------|------|
| IP65 Rated | IP65 |
|------------|------|

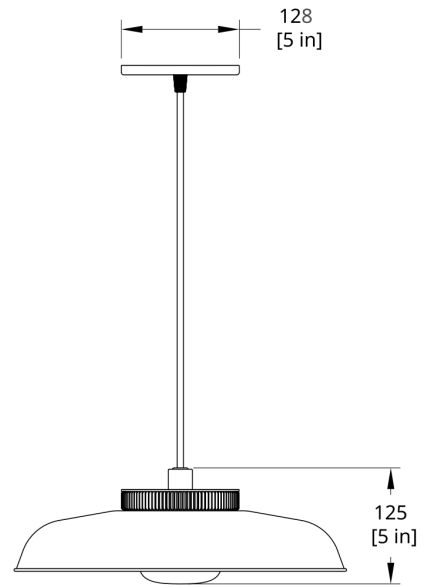
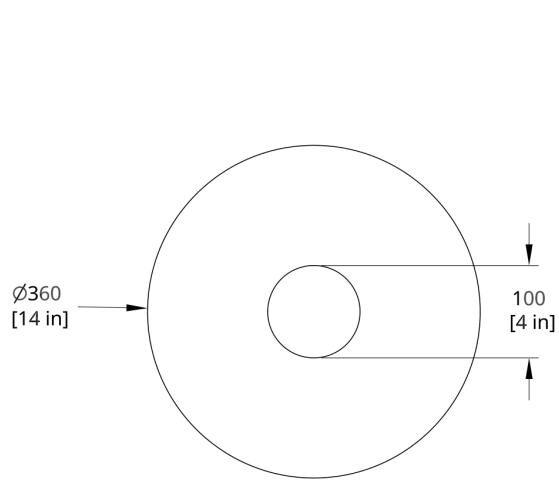
Drawings



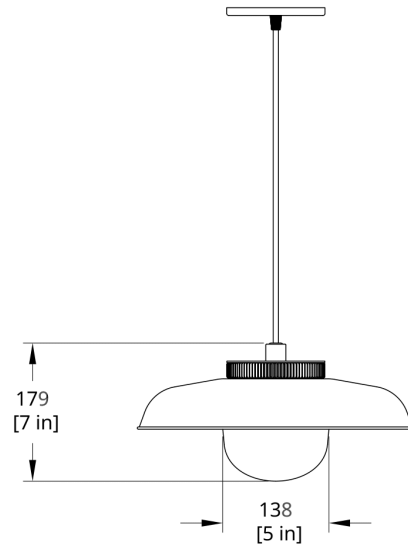
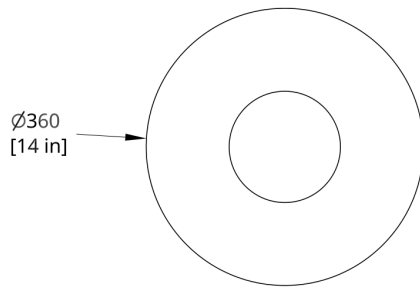
HP-21-A Hoist Pendant Small Diffuser Dimension



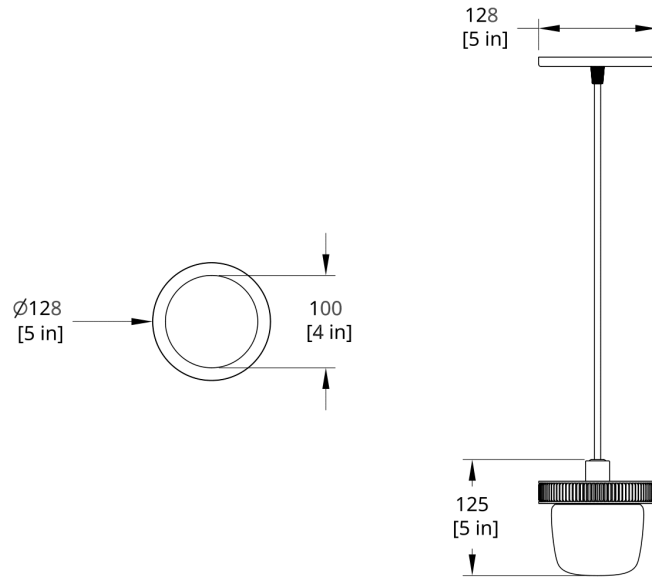
HP-21-B Hoist Pendant Large Diffuser Dimension



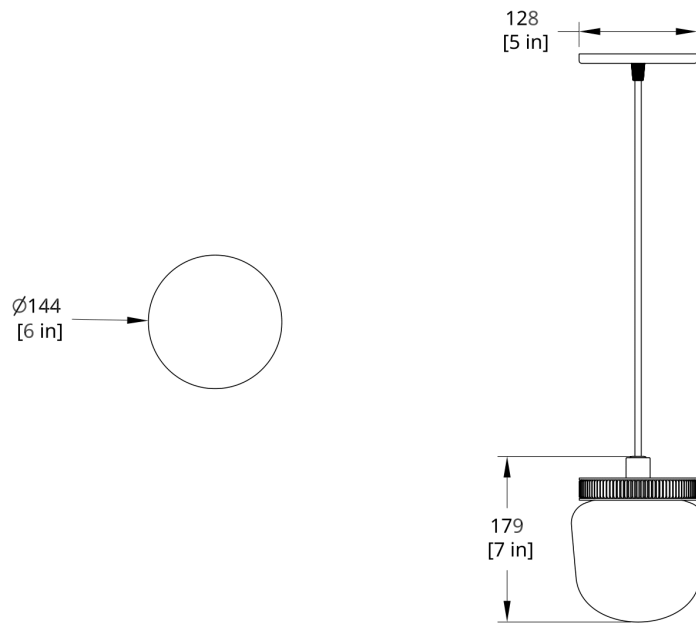
HP-14-A Hoist Pendant Small Diffuser Dimension



HP-8-B Hoist Pendant Large Diffuser Dimension



HP-0-A Hoist Pendant Bare Small Diffuser Dimension



HP-0-B Hoist Pendant Bare Large Diffuser Dimension