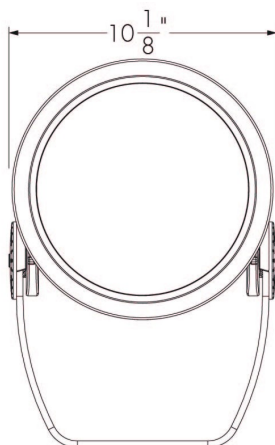
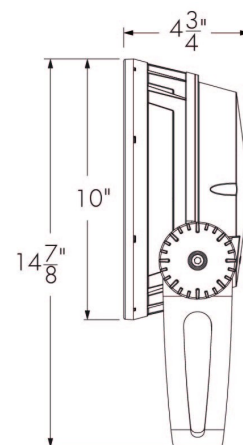


Project Name \_\_\_\_\_ Qty \_\_\_\_\_

Type \_\_\_\_\_ Catalog / Part Number \_\_\_\_\_



Front view



Side view

**Photometric Summary**

**Symmetric**

	Delivered output (lm)	Intensity (peak cd)
<b>VN (6°)</b>	2,841	148,030
<b>NS (10°)</b>	3,041	107,839
<b>NF (20°)</b>	3,005	28,185
<b>M (30°)</b>	2,754	12,450
<b>FL (40°)</b>	2,587	6,385
<b>WFL (60°)</b>	2,151	2,233

**Asymmetric**

<b>NAS</b>	3,161	48,684 (@2.5°)
<b>WW</b>	2,616	11,627 (@5°)

Based on DWH full output, DMX/RDM configuration. Photometric performance is measured in compliance with IESNA LM-79-08.

**Optics**



VN - 6° NS - 10° NF - 20° M - 30°



FL - 40° WFL - 60° NAS WW

**Colors and Color Temperatures**



**Controls**

DIM/DTW DMX/RDM1 DMX/RDM

lumen talk™ DALI8

**Description**

The Lumenbeam Large Dynamic White is an IP66-rated luminaire for lighting landscapes, trees, columns, monuments, and architectural details with a special feature that enables the selection of any color temperature from 2200K to 3000K or from 2700K to 6500K. This dynamic feature gives designers and their clients the freedom to alter the ambiance of a space in response to the time of day or the way a space is used. A number of other options are on offer: optics for flood or accent lighting, as well as accessories, spread lenses, and controls. The luminaire also has an anti-corrosion option for use in harsh, chemical, or coastal environments.

**Features**

<b>Color and Color Temperature</b>	Dynamic warm white (2200K to 3000K), Dynamic white (2700K to 6500K)
<b>Optics (nominal distribution)</b>	VN (6°), NS (10°), NF (20°), M (30°), FL (40°), WFL (60°), NAS (Narrow Asymmetric), WW (Asymmetric Wallwash)
<b>Optical Option</b>	Linear spread lens horizontal distribution, Linear spread lens vertical distribution
<b>Options</b>	Short Yoke, 3G ANSI C136.31-2010 Vibration Rating for bridge applications, Corrosion-resistant coating for hostile environments
<b>Cable Color</b>	Black, White
<b>Power Consumption</b>	50 W
<b>Warranty</b>	5-year limited warranty
<b>Performance</b>	
<b>Maximum Delivered Output</b>	3161 lm (DWH full output, NAS, DMX/RDM)
<b>Maximum Delivered Intensity</b>	148,030 cd at nadir (DWH full output, VN 6°, DMX/RDM)
<b>Illuminance at Distance</b>	Minimum 1 fc at 385 ft (DWH full output, VN 6°, DMX/RDM)
<b>Lumen Maintenance</b>	L70 120,000 hrs (Ta 25 °C)

**Ratings**

IP66 IK10

**Certifications**



**Physical**

<b>Housing Material</b>	Low copper content high pressure die-cast aluminum
<b>Yoke Material</b>	Heavy aluminum (standard yoke included)
<b>Lens Material</b>	Clear tempered glass
<b>Hardware Material</b>	Stainless steel
<b>Gasket Material</b>	Silicone
<b>Surface Finish</b>	Electrostatically applied polyester powder coat
<b>Weight</b>	12 lbs
<b>EPA</b>	Front = 0.64 sq ft, Side = 0.21 sq ft

**Electrical and control**

<b>Voltage</b>	100 to 277 volts
<b>Fixture Cable</b>	Power and data in one cable
<b>Conductors</b>	3C #16-3 (LT control), 5C #16-5 (DIM/DTW, DALI8 control), 6C #14-3/ #24-3 (DMX/RDM1, DMX/RDM control)
<b>Control</b>	Lumentalk, Dim to Warm via 0-10V (2700K to 2200K), Dim to Warm via single-channel DMX/RDM (2700K to 2200K), DMX/RDM enabled 3-channel color temperature control, DALI-2 dimming Type 8
<b>Resolution (DMX/RDM)</b>	Per fixture, 8-bit or 16-bit
<b>Dynamic Warm Color Temperature Mixing</b>	36 LEDs (12x 2200K, 12x 2700K, 12x 3000K)
<b>Dynamic White Color Temperature Mixing</b>	36 LEDs (12x 2700K, 12x 4000K, 12x 6500K)

**Environmental**

<b>Storage Temperature</b>	-40 °F to 158 °F (device must reach start-up temperature value before operating)
<b>Start-up Temperature</b>	-13 °F to 122 °F
<b>Operating Temperature</b>	-40 °F to 122 °F
<b>Ingress Protection Rating</b>	IP66, Wet location rated
<b>Impact Resistance Rating</b>	IK10
<b>Application Wind Speed</b>	Luminaires were designed based on AASHTO 2013 standard to ensure highest quality and safety. Installation should be validated by a local project engineer to ensure the luminaires are suitable for the wind speed and exposure of the specific application

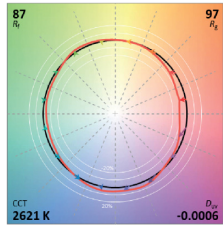
**Accessories (order separately)**

<b>Optical Accessories</b>	Snoot, Snoot wide, Visor, Linear Spread Lens Adjustable, Wire guard
<b>Control Boxes</b>	DMX/RDM enabled (daisy chain or star configuration), Ethernet enabled (daisy chain or star configuration)
<b>Control Systems</b>	Lumentone™ 2 (LTN2), Pharos® kit (PHAROS)
<b>Diagnostic and Addressing Tools</b>	LumenID (LID), LumentalkID

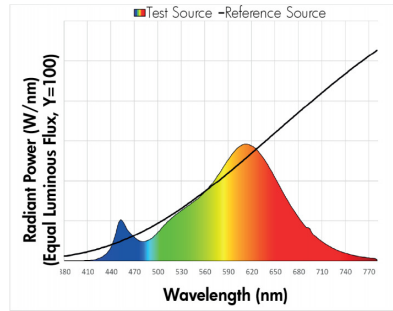
**Chromaticity Data**

**TM-30 - DWW**

CCT	CIE		TM-30	
DWW	R <sub>a</sub>	86	87	R <sub>f</sub>
Full Output	R <sub>g</sub>	26	97	R <sub>g</sub>

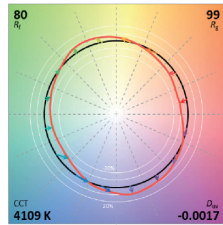


**DWW Spectral Power Distribution**

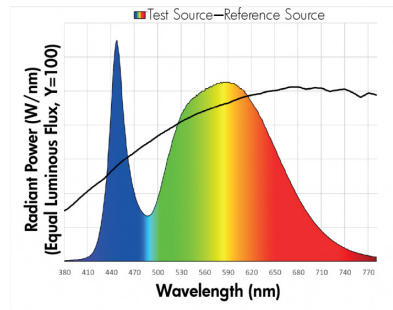


**TM-30 - DWH**

CCT	CIE		TM-30	
DWH	R <sub>a</sub>	81	80	R <sub>f</sub>
Full Output	R <sub>g</sub>	22	99	R <sub>g</sub>

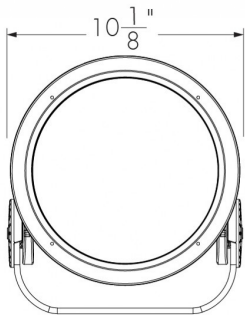


**DWH Spectral Power Distribution**

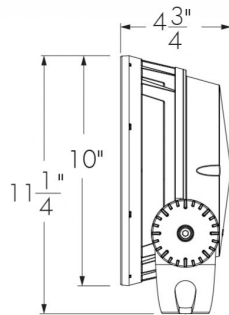


**Mounting options**

**SY - Short yoke**



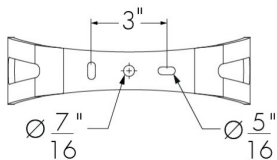
Front view



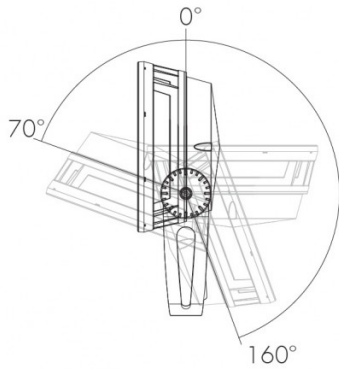
Side view

**Mounting details**

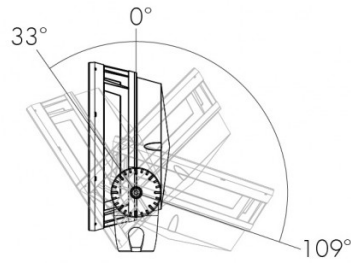
**Mounting hole pattern - standard and short yoke**



**Adjustable pivot limits**



Standard yoke



Short yoke

**Optical options**

**LSLH - Linear spread lens horizontal distribution**



LSLH - Linear spread lens horizontal distribution

**LSLV - Linear spread lens vertical distribution**



Factory installed, not adjustable on site. Not available for WFL, NAS and WW optics.  
See 'Optical Accessories' section for field adjustable spread lens (LSLA).

**Beam angles**

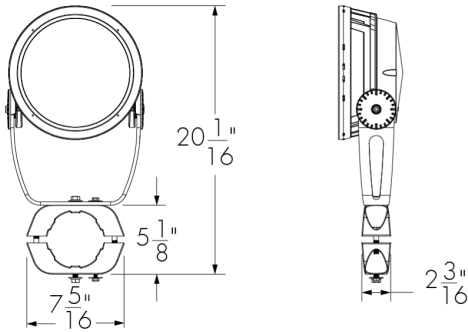
Optic installed in fixture	Beam angle with LSLH/LSLV
<b>VN</b>	7° x 60°
<b>NS</b>	13° x 66°
<b>NF</b>	16° x 62°
<b>M</b>	23° x 65°
<b>FL</b>	33° x 70°

LLF: 0.88\*

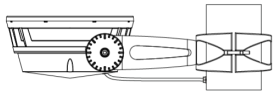
\*LLF may vary slightly by distribution chosen.

**Mounting accessories (order separately)**

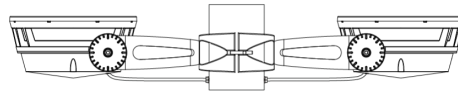
**Round pole mounting accessory**



PM4 model shown. Consult factory for square pole section.



**PM4-1, PM4.5-1, PM5-1** - Round pole mounting accessory - single fixture

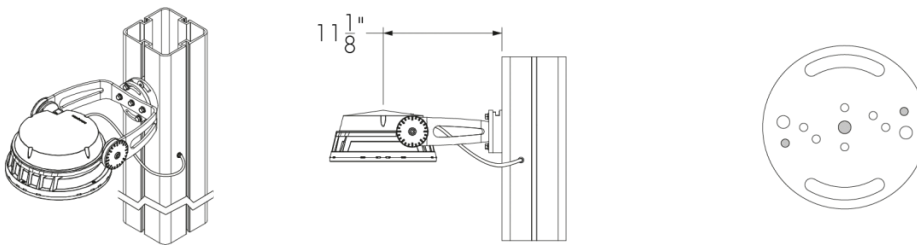


**PM4-2, PM4.5-2, PM5-2** - Round pole mounting accessory - twin fixtures  
\*One bracket assembly is supplied per 2 fixtures unless otherwise specified.

	PM4	PM4.5	PM5
<b>For pole Ø</b>	$4" \pm \frac{1}{16}$	$4.5" \pm \frac{1}{16}$	$5" \pm \frac{1}{16}$

Consult factory for other pole diameters.

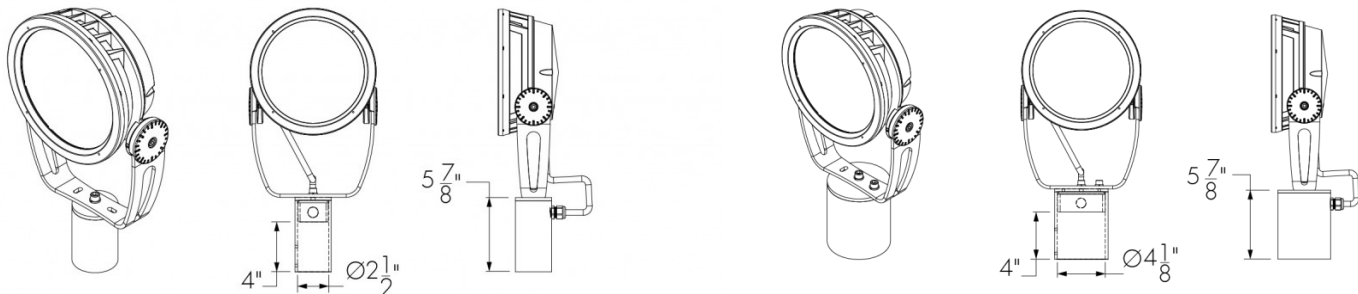
**UY - Universal yoke for Lumentech pole**



Square Lumentech profile shown. Refer to Lumentech specification sheet and installation instructions for more details.

The mounting holes used for this fixture are shown in gray.

**Tenon adapter**



**TN2** - Tenon adapter to fit on 2 3/8 in O.D. tenon

Vertical mounting only. Consult factory for horizontal mounting.

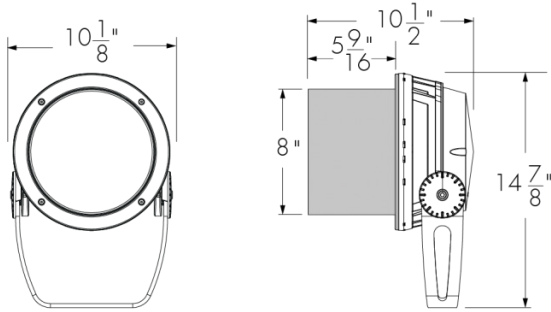
**TN4** - Tenon adapter to fit on 4 in O.D. tenon

Vertical mounting only. Consult factory for horizontal mounting.

**Optical accessories (order separately)**

Installed optical accessories will affect the maximum pivot limits for each mounting option, consult factory for details.

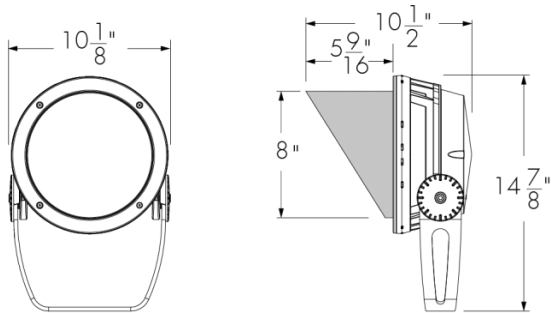
**SN - Snoot**



**LBLSN-FINISH-BK-OPTIONS (CRC)**

Interior surface painted black. Please specify the exterior **FINISH** from the list of finishes in the fixture order code.

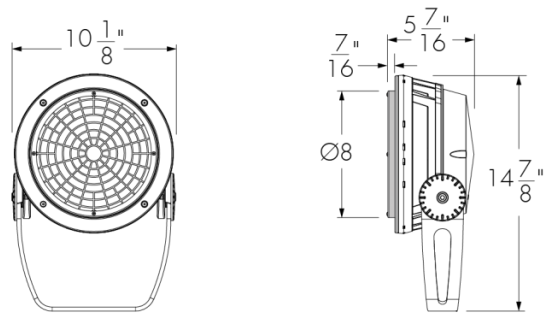
**VS - Visor**



**LBLVS-FINISH-BK-OPTIONS (CRC)**

Interior surface painted black. Please specify the exterior **FINISH** from the list of finishes in the fixture order code.

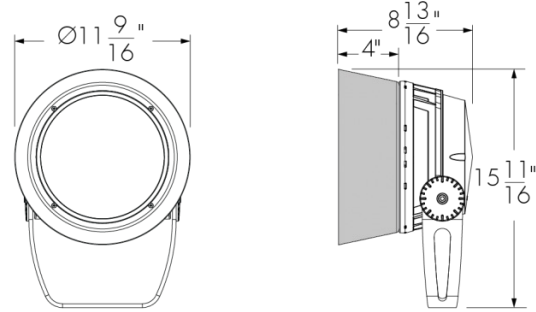
**WG - Wire guard**



**LBLWG-FINISH-OPTIONS (CRC)**

Please specify the exterior **FINISH** from the list of finishes in the fixture order code.

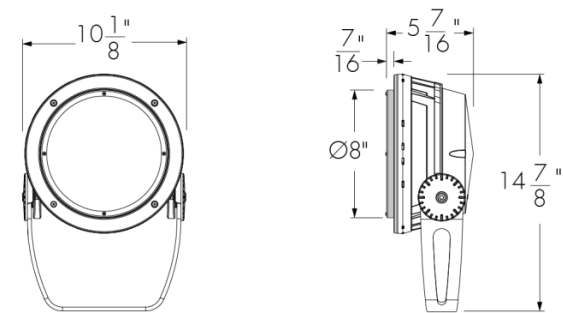
**SNW - Snoot wide**



**LBLSNW-FINISH-BK-OPTIONS (CRC)**

Interior surface painted black. Please specify the exterior **FINISH** from the list of finishes in the fixture order code.

**LSLA - Linear spread lens adjustable**



**LBLLSLA-FINISH-OPTIONS (CRC)**

Please specify the exterior **FINISH** from the list of finishes in the fixture order code.

**Accessory combinations**

+	Snoot	Snoot wide	Visor
<b>Linear spread lens adjustable</b>	LBLSNLSLA	N/A*	LBLVLSLA
<b>Wire guard</b>	LBLSNWG	N/A	LBLVSWG

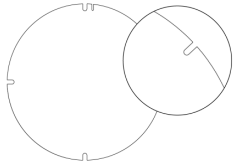
Accessory combinations must be ordered together on a single line

Ex: A snoot + wire guard combination order code is LBLSNWG-**FINISH-BK-OPTIONS**. A maximum of two accessories can be combined per fixture.

\*Consult factory for a linear spread lens adjustable + snoot wide combination.

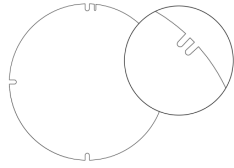
**Diffuser lenses (intended for mockup purposes only, order separately)**

Diffuser lens 1 (1 notch)



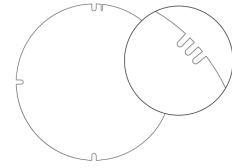
147677

Diffuser lens 2 (2 notches)



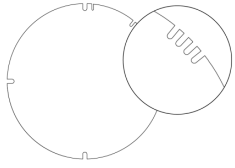
147678

Diffuser lens 3 (3 notches)



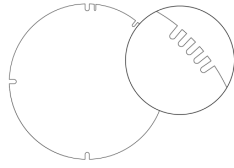
147679

Diffuser lens 4 (4 notches)



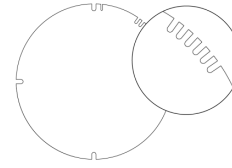
147680

Diffuser lens 5 (5 notches)



147681

Diffuser lens 6 (6 notches)



147682

**Final distribution using diffuser lenses**

Original Distribution on Fixture	Final Distribution Using Diffuser Lens					
	Diffuser Lens 1 1 Notch	Diffuser Lens 2 2 Notches	Diffuser Lens 3 3 Notches	Diffuser Lens 4 4 Notches	Diffuser Lens 5 5 Notches	Diffuser Lens 6 6 Notches
XN (4°/5°)	VN	NS				
VN (6°)	NS		NF	M	FL	WFL
NS (10°)						
NF (20°)						
M (30°)				FL	WFL	
FL (40°)						
WFL (60°)						

Choose a diffuser lens based on the desired final beam distribution. Refer to the 6-digit part numbers above to order diffuser lenses individually. To order a complete set of 6 diffuser lenses in a bag, refer to the following item names: **LBS:** LBALK-S **LBM/LBMP:** LBALK-M **LBL/LBLP:** LBALK-L **LBG/LBGP:** LBALK-G **LBX/LBXP:** LBALK-X.

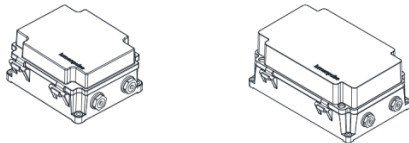
The diffuser lenses are intended for mockup purposes only. A lens holder is required to install a diffuser lens on the fixture, order separately using the following names: **LBS:** LBSLSLA-FINISH-LBALK **LBM/LBMP:** LBMLS LA-FINISH-LBALK **LBL/LBLP:** LBLLSLA-FINISH-LBALK **LBG/LBGP:** LBGLSLA-FINISH-LBALK **LBX/LBXP:** LBXLSLA-FINISH-LBALK

Please specify the exterior **FINISH** from the list of finishes in the fixture order code.

Refer to the Diffuser Lens Installation Instructions on the Lumenpulse website for information on installing the diffuser lenses.

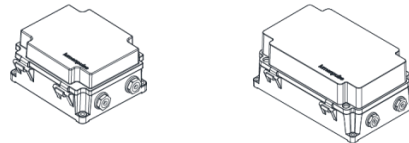
**Control boxes (order separately)**

**CBX-DMX/RDM - DMX/RDM enabled (daisy chain or star configuration)**



DMX/RDM control box. Up to six power and data outputs to fixtures or fixture runs. Consult CBX specification sheet and installation instructions for details. Lumeterminators provided with CBX (2x for daisy chain configuration, 6x for star configuration), consult factory to order spares.

**CBX-ENET - Ethernet enabled (daisy chain or star configuration)**



Ethernet control box. Up to four power and data outputs to fixture or fixture runs. Consult Ethernet CBX specification sheet and installation instructions for details.

## Control systems (order separately)

---

### LTN2 - Lumentone™ 2



Lumentone 2 is a simple pre-programmed DMX 512 controller with a push button rotary dial and live feedback.

### PHAROS - Pharos® kit



The Pharos kit, available for 1 or 2 DMX universes, allows for complete control of large lighting installations. 2 DMX universes kit shown.

## Diagnostic and addressing tools (order separately)

---

### LID - LumenID



LumenID is a diagnostic and addressing DMX/RDM tool. It must be specified on all DMX applications. Consult LID specification sheet for details.





### LID-LT - LumentalkID



LumentalkID is a diagnostic and addressing tool. It must be specified for all Lumentalk (LT) applications. Consult LID-LT specification sheet for details.



**EPA Guide**

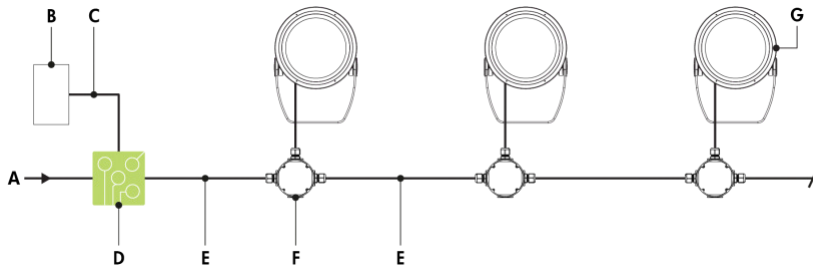
	<b>LBL</b> 	<b>LBL with snoot</b> 	<b>LBL with visor</b> 	<b>LBL with snoot wide</b> 
<b>EPA front (sq ft)</b>	0.642	0.642	0.642	1.016
<b>EPA side (sq ft)</b>	0.214	0.473	0.473	0.452

**Typical wiring diagrams**

**Wiring color code**

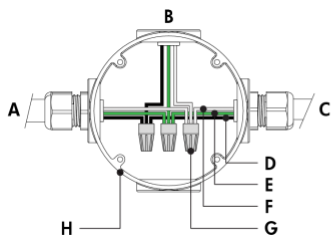
UL Color Code	USE
Green	Ground
Black	Line
White	Line/Neutral
Red or Purple	0-10V / Data +
Orange	0-10V / Data -
Gray	Signal common (DMX/RDM only)

**Lumentalk (LT)**



- A** - Power input (100-277V AC, wiring by others)
- B** - DMX/RDM controller (order separately from Lumenpulse, or by others)
- C** - Data wiring (by others)
- D** - Lumentranslator 2 (LTL2-DMX)
- E** - Power wiring (by others)
- F** - Junction box (by others)
- G** - Lumenbeam Large

**Lumentalk (LT) - wiring detail**

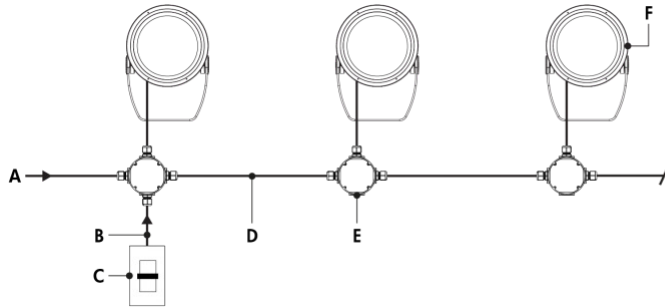


- A** - Power input (control over power line via Lumentalk system) or from previous fixture
- B** - To fixture
- C** - To next fixture
- D** - Line
- E** - Ground
- F** - Line/Neutral
- G** - Wire-nut (by others)
- H** - Junction box (by others)

- Consult factory for specific applications and maximum fixture count/cable length recommendations.
- Lumentalk enabled fixtures must be commissioned using LumentalkID software and a LID-LT. Consult factory for details.
- Maximum of 1 transmitter (Lumentranslator or Lumenlink) per system.
- No third party fixtures allowed on the same circuit.
- 1 DMX controller per Lumentalk network, maximum of 48 DMX channels per Lumentalk network (minimum step transition update rate is 1 second, minimum fade time between two colors is 1 minute). Consult factory for applications that require additional capabilities.
- 50 watts per fixture.

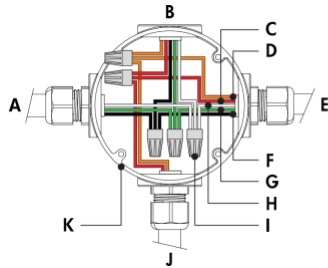
## Dim to Warm via 0-10V (DIM/DTW\*)

\*Available for DWW version only, 2700K to 2200K



- A** - Power input (100-277V AC, wiring by others)
- B** - Data wiring (by others)
- C** - Dimmer (by others)
- D** - Power and data wiring (by others)
- E** - Junction box (by others)
- F** - Lumenbeam Large

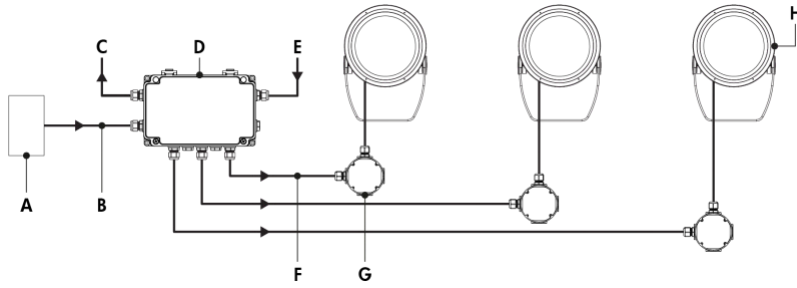
## Dim to Warm via 0-10V (DIM/DTW) - wiring detail



- A** - Power input or from previous fixture
- B** - To fixture
- C** - 0-10 V +
- D** - 0-10 V -
- E** - To next fixture
- F** - Line
- G** - Ground
- H** - Neutral
- I** - Wire-nut (by others)
- J** - From dimmer (by others)
- K** - Junction box (by others)

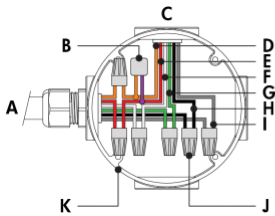
- Consult factory for specific applications and maximum fixture count/cable length recommendations.
- 0-10V mA ratings: passive dimmer (Current Sink): 3mA per fixture, active dimmer (Current Source): 0.5mA per fixture.
- 50 watts per fixture.

**Star Layout (Dim to Warm via DMX/RDM1\* or 3-channel DMX/RDM)**  
\*Available for DWW version only, 2700K to 2200K



- A** - DMX/RDM controller (order separately from Lumenpulse, or by others)
- B** - Data input (Belden 9841 or equivalent, by others)
- C** - Data output to next CBX (optional, not isolated/not boosted)
- D** - CBX-ST
- E** - Power input (100-277V AC, wiring by others)
- F** - Power and data output to fixture (by others)
- G** - Junction box (by others)
- H** - Lumenbeam Large

**Star Layout (DMX/RDM1 or DMX/RDM) - wiring detail**



- A** - From CBX
- B** - Lumenterminator
- C** - To fixture
- D** - Data -
- E** - Data +
- F** - Neutral
- G** - Ground
- H** - Line
- I** - Signal common
- J** - Wire-nut (by others)
- K** - Junction box (by others)

**Maximum fixture count per run**

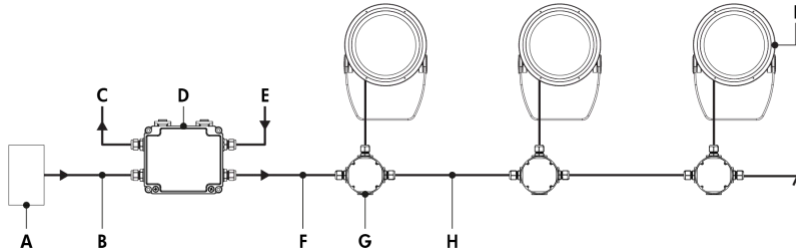
Configuration/Voltage	120V	208V	240V	277V
<b>LBL</b>	18	28	32	32

Based on 15A maximum, 16AWG cable, fixtures spaced 10 ft on center, first fixture 50 ft from CBX.

- Consult CBX installation instructions for additional wiring details.
- Consult factory for specific applications and maximum fixture count/cable length recommendations.
- The DMX/RDM protocol states a maximum of 32 DMX/RDM enabled fixtures on any single run.
- Maximum of 4 DMX/RDM repeaters/CBX cascading in line.
- Maximum of 6 outputs per CBX-ST.
- DMX/RDM1 control option requires 1 DMX address. DMX/RDM control option requires 3 DMX addresses.
- DMX terminator is required at the end of each run to maintain data integrity. Six (6x) DMX lumenterminators included per CBX-ST. See installation instructions for details.
- 50 watts per fixture.

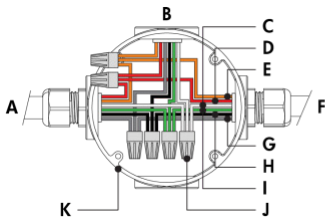
**Daisy Chain Layout (Dim to Warm via DMX/RDM1\* or 3-channel DMX/RDM)**

\*Available for DWW version only, 2700K to 2200K



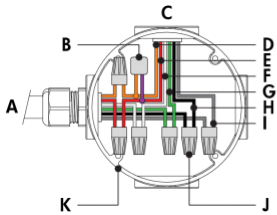
- A** - DMX/RDM controller (order separately from Lumenpulse, or by others)
- B** - Data input (Belden 9841 or equivalent, by others)
- C** - Data output to next CBX (optional, not isolated/not boosted)
- D** - CBX-DS
- E** - Power input (100-277V AC, wiring by others)
- F** - Power and data output to fixture (wiring by others)
- G** - Junction box (by others)
- H** - Power and data wiring (by others)
- I** - Lumenbeam Large

**Daisy Chain Layout (DMX/RDM1 or DMX/RDM) - wiring detail (first or middle of run)**



- A** - From CBX or previous fixture
- B** - To fixture
- C** - Neutral
- D** - Data +
- E** - Data -
- F** - To next fixture
- G** - Signal common
- H** - Line
- I** - Ground
- J** - Wire-nut (by others)
- K** - Junction box (by others)

**Daisy Chain Layout (DMX/RDM1 or DMX/RDM) - wiring detail (end of run)**



- A** - From CBX or previous fixture
- B** - Lumenterminator
- C** - To fixture
- D** - Data -
- E** - Data +
- F** - Neutral
- G** - Ground
- H** - Line
- I** - Signal common
- J** - Wire-nut (by others)
- K** - Junction box (by others)

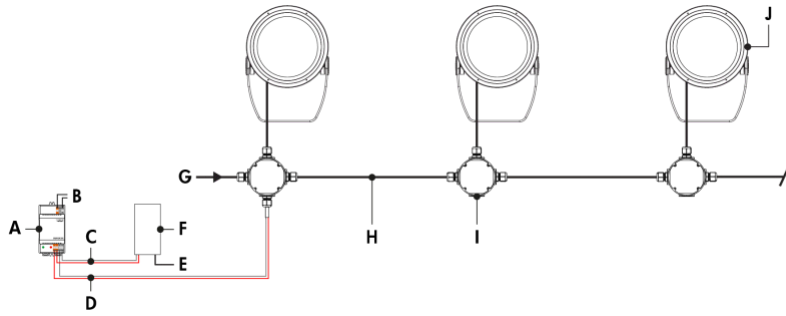
**Maximum fixture count per run**

Configuration/Voltage	120V	208V	240V	277V
<b>LBL</b>	18	28	32	32

Based on 15A maximum, 16AWG cable, fixtures spaced 10 ft on center, first fixture 50 ft from CBX.

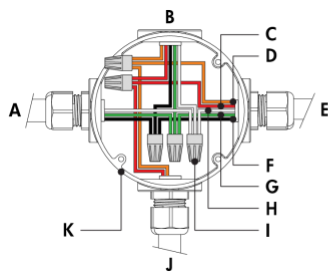
- Consult CBX installation instructions for additional wiring details.
- Consult factory for specific applications and maximum fixture count/cable length recommendations.
- The DMX/RDM protocol states a maximum of 32 DMX/RDM enabled fixtures on any single run.
- Maximum of 4 DMX/RDM repeaters/CBX cascading in line.
- Maximum of 1 output per CBX-DS.
- Maximum of 3 ft cable length between fixture and next junction box for daisy chain layout.
- DMX/RDM1 control option requires 1 DMX address. DMX/RDM control option requires 3 DMX addresses.
- DMX terminator is required at the end of each run to maintain data integrity. Two (2x) DMX lumenterminators included per CBX-DS. See installation instructions for details.
- 50 watts per fixture.

**DALI-2 dimming Type 8 (DALIT8)**



- A** - DALI bus power supply (by others)
- B** - Power input for DALI bus power supply (wiring by others)
- C** - Data output to DALI controller (wiring by others)
- D** - Data output to fixture (wiring by others)
- E** - Power input for DALI controller (if required, wiring by others)
- F** - DALI controller (by others)
- G** - Power input (100-277V AC, wiring by others)
- H** - Power and data wiring (by others)
- I** - Junction box (by others)
- J** - Lumenbeam Large

**DALI-2 dimming Type 8 (DALIT8) - wiring detail**



- A** - Power input or from previous fixture
- B** - To fixture
- C** - DA +
- D** - DA -
- E** - To next fixture
- F** - Line
- G** - Ground
- H** - Neutral
- I** - Wire-nut (by others)
- J** - From DALI controller (by others)
- K** - Junction box (by others)

- Consult factory for specific applications and maximum fixture count/cable length recommendations.
- Maximum of 64 DALI fixtures per DALI loop.
- The Lumenbeam responds to RGBWAF controls.
- Commissioning may be required based on the selection of 3rd party DALI controller. Controller and commissioning provided by others.
- 50 watts per fixture.

**How to order**

Housing	Voltage	Color and Color Temperature	Optics	Optical Option (2) (4)	Finish	Control	Options	Certification	Cable Length (12) (17)	Cable Color	Buy American Act
LBL Lumenbeam™ Large	<b>100</b> 100 volts	<b>DWW</b> Dynamic warm white (2200K to 3000K)  <b>DWH</b> Dynamic white (2700K to 6500K)	<b>VN</b> Very Narrow 6° (1)	<b>LSLH</b> Linear spread lens horizontal distribution (3)  <b>LSLV</b> Linear spread lens vertical distribution (3)	<b>BK</b> Black Sandtex®  <b>BRZ</b> Bronze Sandtex®  <b>SI</b> Silver Sandtex®  <b>WH</b> Smooth white  <b>BKTX</b> Textured black  <b>BRZTX</b> Textured bronze non-metallic  <b>GRATX</b> Textured medium gray  <b>GRNIX</b> Textured green  <b>WHTX</b> Textured white  <b>CC</b> Custom color and finish (please specify RAL color) (5) (6) (7)	<b>LT</b> Lumentalk (8) (9)  <b>DIM/DTW</b> Dim to Warm via 0-10V (2700K to 2200K) (10)  <b>DMX/RDM1</b> Dim to Warm via single-channel DMX/RDM (2700K to 2200K) (10) (11) (12)  <b>DMX/RDM</b> 3-channel color temperature control via DMX/RDM (11) (12)  <b>DALIT8</b> DALI-2 dimming Type 8 (13)	<b>SY</b> Short Yoke  <b>3GV</b> 3G ANSI C136.31-2010 Vibration Rating for bridge applications  <b>CRC</b> Corrosion-resistant coating for hostile environments (14) (15)	<b>UL</b> UL compliant  <b>CE</b> CE compliant (16)  <b>CEII</b> CE compliant Class II double insulated (16)	<b>3FT</b> 3 ft (12) (17)  <b>10FT</b> 10 ft  <b>20FT</b> 20 ft  <b>30FT</b> 30 ft  <b>50FT</b> 50 ft  <b>70FT</b> 70 ft  <b>100FT</b> 100 ft	<b>BK</b> Black  <b>WH</b> White (18)	<b>BAA</b> Buy American (16) (19)
	<b>120</b> 120 volts										
	<b>208</b> 208 volts										
	<b>220</b> 220 volts										
	<b>240</b> 240 volts										
	<b>277</b> 277 volts										

**Notes:**

1. Factory installed, not interchangeable on site.
2. Optical options are factory installed and cannot be changed in the field.
3. Field adjustable spread lens optical accessory available, order separately.
4. Not available with WFL, NAS and WW optics.
5. Lumenpulse offers a wide selection of RAL CLASSIC (K7) colors with a smooth texture and high-gloss finish. Please consult factory for a list of available K7 colors, other RAL textures and glosses, or to match alternate color charts. Final color matching results may vary.
6. Setup charges apply for RAL colors. Consult factory for details.
7. Longer lead times can be expected for custom RAL color finishes.
8. A Lumentranslator 2 (LTL2) and LumentalkID (LIDL1) must be specified for Lumentalk applications. Consult Lumentranslator 2 and Lumentalk pages and specification sheets for details.
9. Not available with Class II double insulated option.
10. Available for DWW color temperature option only.
11. A control box (CBX) and LumenID (LID) must be specified.
12. Maximum of 3 ft cable length for daisy chain DMX applications with CBX-DS.
13. DALI-2 Type 8 controller required, provided by others.
14. Use only when exposed to salt spray. This option is not required for normal outdoor exposure.
15. Setup charges apply. Consult factory for details.
16. Consult European specification sheets and installation instructions for CE and CE Class II wiring information.
17. 3 ft cable length is standard unless otherwise specified.
18. Not available with CE or CEII certification options.
19. Contact your Lumenpulse Sales Representative for more information on order volume details.